

4 x 4K(33MP) Outdoor Multi-Sensor Network Camera

The WV-X8571N captures the highest quality images in even very challenging and dynamic environments.

In particular, the camera can capture clear vehicle image in color even at night intersections of low light intensity.

And the four repositionable lenses minimize blind spots and flexibly correspond to intersections of various shapes and monitoring areas of cities. Easily set up with a smartphone or tablet device via Wi-Fi connection. *Wi-Fi USB adapter is required.

Intelligent Auto (iA) monitors scene dynamics and motion to adjust key camera settings automatically in real-time reducing distortion such as motion blur on moving objects. By adopting H.265 Smart Coding technology, bandwidth efficiency is intelligently increased for longer recording and less storage. Cameras out-of-the-box, use an encryption module standardized by FIPS Publication 140-2 for secure video streaming.

Extreme image quality for evidence capturing under challenging conditions

- Four repositionable lenses with easy adjustment include a wide range tilt angle mechanism minimizes blind spots
- Four high image quality 4K image sensors and produce a resolution of 3,840 x 2,160 pixels at up to 15 fps
- Sharp and clear images of fast moving vehicles with Intelligent Auto and ClearSight Coating
- Outstanding low light performance in true color with low noise for night time applications
- Super Dynamic 120dB for backlit situations and shadows on night streets
- Environmental durability : IP66, IK10 and Dehumidification device

Extreme bandwidth compression with new H.265 Smart Coding

- Reduced the amount of transferred data and less storage space compared to any H.264 based compression techniques
- New self-learning ROI* encoding (Auto VIQS) dynamically detect motion areas to keep vehicles and human in good picture quality while lowering your bandwidth *Region of Interest

Extreme Data Security

- Full encryption SD card edge recording to keep your data safe
- FIPS140-2 CAVP compliant *Using encryption module standardized by FIPS publication 140-2
- Full end-to-end system encryption with supported VMS and devices to protect from IP snooping/spoofing and detect data alteration

Easy installation

- Continuous view assistance: After determining the monitor angle, set the lens to the specified position and the cameras will automatically zoom and focus to reduce the overlap of images from each camera.
- Installation time can be reduced by confirming live image and adjusting viewing angle with smartphone or tablet device via Wi-Fi connection.
- Allows you to connect the network cable to the camera body simply by opening a part of the package, which saves you time and workspace, especially when handling multiple cameras.

Key Features

- 4 x 4K(33MP) 3840x2160 up to 15fps
- iA (intelligent Auto) • Super Dynamic 120dB
- Color night vision (0.008 to 0.12 lx)
- H.265 Smart Coding • ClearSight Coating
- Continuous view assistance
- Wide range tilt angle adjustment mechanism
- Fiber Optic Media Converter Unit (Optional WV-S25F1)
- ONVIF® Profile G / S *ONVIF is a trademark of ONVIF, Inc.

Industry examples

- Public safety (City / Highway toll / Parking gate)
- Transportation (Airport / Train / Subway)



4 x True 4K high resolution

4K
ULTRA HD

TRUE 4K

- Can identify vehicles 100 feet diagonal from intersection corners at three lane streets



Combining H.265 compression with Smart Coding technology

- In spite of the high resolution of 4 x 4 K, it achieved the bit rate lower than the bit rate of one 4K camera of H.264.

Resolution



WV-X8571N



WV-S1572L

Bit rate*



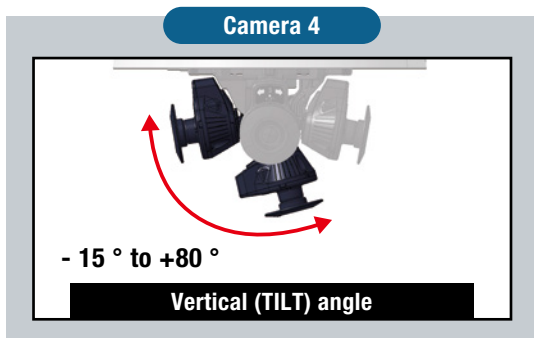
WV-X8571N



WV-S1572L

* "H.265 with Smart Coding" provides max.95% reduction in total file size when compared to "H.264 without Smart Coding" but it depends on a scene.

Wide range tilt angle adjustment mechanism



*The above is the adjustable range of a single camera. The adjustable range of each camera varies according to the positional relationship with other cameras.

Continuous view assistance

Before adjustment



After adjustment



After determining the monitor angle, set the lens to the specified position and the cameras will automatically zoom and focus to reduce the overlap of images from each camera.

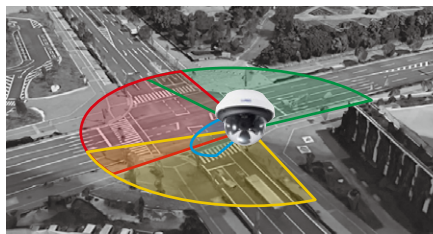
Four repositionable lenses enables to monitoring at minimize blind spots

270-degree view (Full intersection view)

- One multi sensor camera at intersection corner, It enables monitoring with minimized blind spots
- Enables to monitoring even if bottom view angle



270-degree + right below view angle adjustment

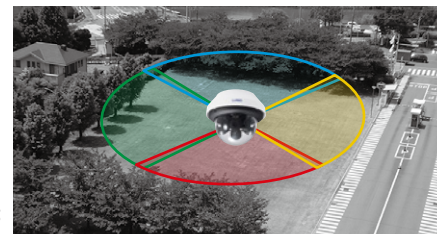


360-degree view

- One multi-sensor camera enables monitor the park by minimize blind spots



360-degree view angle adjustment



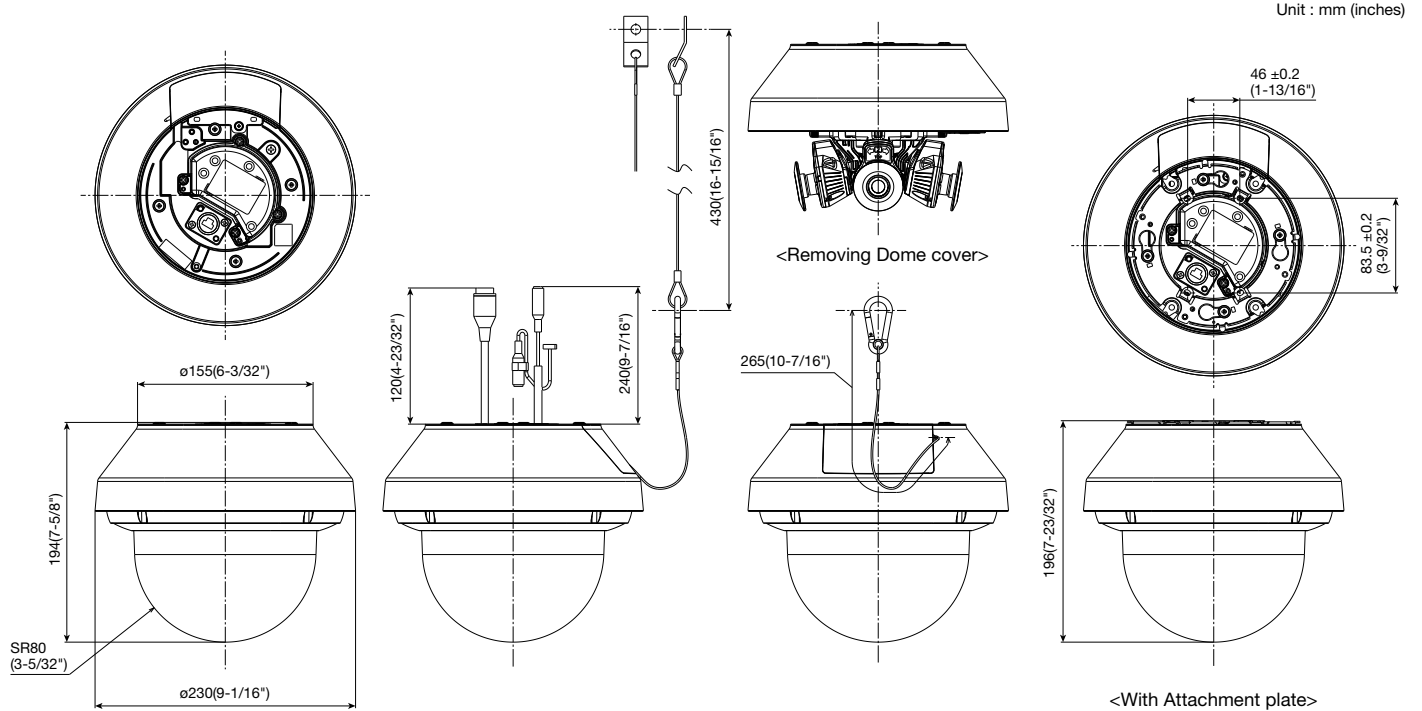
Specifications

| | | |
|---------------------------|--|---|
| Camera | Image Sensor | 1/1.8 type CMOS image sensor |
| | Minimum Illumination | Color : 0.12 lx, BW : 0.05 lx (50IRE, F1.6, Maximum shutter : Off (1/30s), AGC : 11) Color : 0.008 lx, BW : 0.003 lx (50IRE, F1.6, Maximum shutter : max. 16/30s, AGC : 11) ^{*1} |
| | Intelligent Auto | On / Off |
| | Maximum shutter | 15 fps mode: Max.1/10000s to Max.16/30s 12.5 fps mode: Max.1/10000s to Max.16/25s |
| | Super Dynamic | On / Off, The level can be set in the range of 0 to 31. |
| | Dynamic Range | Max.120 dB typ. (Super Dynamic : On, level : 31) |
| | Image Settings | Gain (AGC), White balance |
| | Image Compensation | Adaptive black stretch, Back light compensation (BLC), High light compensation (HLC), Fog compensation, Digital noise reduction |
| | Color/BW (ICR) | Off / On / Auto1 (Normal) / Auto2 (IR Light) / Auto3 (SCC) |
| | Video Motion Detection (VMD) | On / Off, 4 areas available |
| | Privacy Zone | On / Off, up to 8 zones available |
| | Upside-down | On / Off |
| | Camera Title (OSD) | On / Off, up to 20 characters (alphanumeric characters, marks) |
| | Adjusting angle | Camera 1, 2, 3: Horizontal (PAN) angle : 360 ° Vertical (TILT) angle : +30 ° to + 80 ° Azimuth (YAW) angle : ±50 ° Camera 4: Horizontal (PAN) angle : 360 ° Vertical (TILT) angle : -15 ° to + 80 ° Azimuth (YAW) angle : ±50 ° ^{*The above is the adjustable range of a single camera. The adjustable range of each camera varies according to the positional relationship with other cameras.} |
| | Lens | Zoom Ratio |
| Digital (electronic) zoom | | Choose from 3 levels of x1, x2, x4 |
| Focal length | | 4.6 mm (3/16 inches) |
| Maximum Aperture Ratio | | 1 : 1.6 |
| Focus range | | 3.0 m (9.84 feet) – ∞ |
| Angular Field of view | | Horizontal : 97° Vertical : 53° |
| DORI | | Detect (25ppm / 8ppf) |
| | Observe (62.5ppm / 19ppf) | 27.2 m / 89.2 ft |
| | Recognize (125ppm / 38ppf) | 13.6 m / 44.6 ft |
| | Identify (250ppm / 76ppf) | 6.8 m / 22.3 ft |
| Browser GUI | Camera Control | Brightness, AUX On / Off |
| | Audio | Mic (Line) input : On / Off Volume adjustment : Low / Middle / High |
| | GUI / Setup Menu Language | English, Italian, French, German, Spanish, Portuguese, Russian, Chinese, Japanese |
| Network | Network IF | 10Base-T / 100Base-TX / 1000Base-T, RJ45 connector |
| | Resolution | [16:9 mode][*] *Cannot be changed. 3840 x 2160 / 2560 x 1440 / 1280 x 720 / 640 x 360 / 320 x 180 |
| | H.265/ Transmission Mode | Constant bit rate / VBR / Frame rate / Best effort |
| | H.264 ² / Transmission Type | Unicast port(AUTO) / Unicast port(MANUAL) / Multicast |
| | JPEG / Image Quality | 10 steps |
| | Smart Coding | GOP (Group of pictures) control : On (Frame rate control) [*] / On (Advanced) [*] / On (Mid) / On (Low) / Off ^{*On (Frame rate control) and On (Advanced) are only available with H.265.} Auto VQIS : On / Off |
| | Audio Compression | G.726 (ADPCM) : 16 kbps / 32 kbps G.711 : 64 kbps AAC-LC ³ : 64 kbps / 96 kbps / 128 kbps |

| | | |
|----------------------|---|---|
| Network | Supported Protocol | IPv6 : TCP/IP, UDP/IP, HTTP, HTTPS, SSL / TLS, SMTP, DNS, NTP, SNMP, DHCPv6, RTP, MLD, ICMP, ARP, IEEE 802.1X, DiffServ, MQTT ⁴ , LLDP ⁴ IPv4 : TCP/IP, UDP/IP, HTTP, HTTPS, SSL / TLS, RTSP, RTP, RTP/RTCP, SMTP, DHCP, DNS, DDNS, NTP, SNMP, UPnP, IGMP, ICMP, ARP, IEEE 802.1X, DiffServ, MQTT ⁴ , LLDP ⁴ |
| | Maximum concurrent access number | Up to 24 users (Depends on network conditions) |
| | SDXC/SDHC/SD Memory Card | H.265 / H.264 recording : Manual REC / Alarm REC (Pre/Post) / Schedule REC Compatible SDXC/SDHC/SD card : i-PRO 32 GB*, 64 GB**, 128 GB**, 256 GB**, 512GB** model *SDHC card, ** SDXC card (except miniSD card and microSD card) |
| Alarm | Mobile Terminal Compatibility | iPad / iPhone, Android™ terminals |
| | ONVIF® Profile | G / S |
| Input/ Output | Alarm Source | 3 terminals input, VMD alarm, Command alarm |
| | Alarm Actions | SDXC/SDHC/SD memory recording, E-mail notification, HTTP alarm notification, Indication on browser, TCP alarm notification output |
| General | Audio Input | ø3.5 mm stereo mini jack (Audio input is stereo) For microphone input Recommended applicable microphone: Plug-in power type (Sensitivity of microphone : -48 dB±3 dB (0 dB=1 V/Pa, 1 kHz)) Input impedance : Approx. 2 k (unbalanced) Supply voltage : 2.4 V ±0.5 V For line input Input level : Approx. -10 dBV |
| | External I/O Terminals | ALARM IN 1(Alarm input 1/ Black & white input/ Auto time adjustment input) (x1), ALARM IN 2 (Alarm input 2/ ALARM OUT) (x1), ALARM IN 3 (Alarm input 3/ ALARM OUT/ AUX OUT) (x1) |
| General | Safety | UL (UL60950-1), c-UL (CSA C22.2 No.60950-1), CE, IEC60950-1 |
| | EMC | FCC (Part15 ClassA), ICES003 ClassA, EN55032 ClassB, EN55024 |
| | Power Source and Power Consumption | PoE+ (IEEE802.3at compliant): DC 54V 350 mA, Approx. 20 W(Class4 device) DC12 V 1.2 A, Approx. 15 W |
| | Ambient Operating Temperature | -40 °C to +60 °C (-40 °F to +140 °F) (Power On range : -20 °C to +60 °C (-4 °F to +140 °F)) |
| | Ambient Operating Humidity | 10 to 100 % (no condensation) |
| | Dehumidification Device | Rosahl element |
| | Water and Dust Resistance | IP66 (IEC60529), Type 4X (UL50E), NEMA 4X compliant |
| | Shock Resistance | IK10 (IEC62262) |
| | Wind Resistance | Up to 40 m/s (approx. 89 mph) |
| | Dimensions | When using the attachment plate only : ø230 mm x 196 mm (H) (ø9-1/16 inches x 7-23/32 inches (H)), Dome radius 80 mm (3-5/32 inches) |
| Mass (approx.) | When using the attachment plate only : Approx. 2.8 kg (6.17 lbs) | |
| Finish | Main body : Aluminum die cast, i-PRO white, Outer fixing screws : Stainless steel (Corrosion-resistant treatment) Dome cover : Polycarbonate resin (with ClearSight coating), Clear | |

^{*1} Converted value
^{*2} H.265/H.264 can be selected for each stream.
^{*3} When recording audio on an SD memory card, only use AAC-LC (Advanced Audio Coding-Low Complexity).
^{*4} It may be necessary to upgrade the firmware to use these protocols.

Appearance



Optional Accessories

Fiber Optic Media Converter Unit

Extension Unit
WV-S25F1
(Light gray)



Fiber Optic Media Converter Unit supports long distance optical networks by converting copper RJ45 to fiber.

• **Basic specifications**

| | |
|---------------------------------|--|
| Power source | 24 V AC(50 Hz/60 Hz) |
| Ambient Operating Temperature : | -40 °C to +60 °C(-40 °F to 140 °F) (Power On range: -30 to +60 (-22 °F to 140 °F)) |
| Ambient Operating Humidity : | 10 % to 100 %(no condensation) |
| Waterproof | IP66(IEC60529) |
| Shock resistance | IK10(IEC62262) |










*Refer to website for compatible SFP modules. <https://i-pro.com/global/en/surveillance/training-support/support/technical-information> <Control No. : C0504>

• **Support specifications for SFP module**

| | |
|-------------------------|--|
| SFP Port Type | LC type |
| Ethernet Speed | 100/1000 Mbps |
| Supply voltage, current | 3.3 V typical, Max. 300 mA |
| SFP Cage | Standard mini-SFP cage (For 6.5 mm pitch SFP) |

*Different Color Model WV-X65F1 (Fine silver)

Mount Bracket / Other

| | WALL | POLE | CORNER | HANGING | CEILING | | OTHER |
|-------------|--|--|--|---|--|--|--|
| | 1 | 1 | 1 | 1 | 1 | 2 | 1 |
| combination | Wall Mount Bracket WV-QWL501-W (i-PRO white)  | Pole Mount Bracket WV-QPL500-W (i-PRO white)  | Corner Mount Bracket WV-QCN500-W (i-PRO white)  | Ceiling Mount Bracket WV-QCL501-W (i-PRO white)  | Base Bracket WV-QJB501-W (i-PRO white)  | Ceiling Mount Bracket WV-Q105A  *For indoor installation only. | Attachment pipe (For 3rd party bracket) WV-QAT500-W (i-PRO white)  |
| | Mount Bracket WV-QSR502A-W (i-PRO white)  | | | Mount Bracket WV-QSR502A-W (i-PRO white)  | | | |

Important

- Safety Precautions : Carefully read the Basic Information, Installation Guide and Operating Instructions before using this product.
- i-PRO Co., Ltd. cannot be held responsible for the performance of the network and/or other manufacturers' products used on the network.

Trademarks and registered trademarks

- iPad and iPhone are trademarks of Apple Inc., registered in the U.S. and other countries.
- Android is a trademark of Google LLC.
- ONVIF is a trademark of ONVIF, Inc.
- All other trademarks identified herein are the property of their respective owners.
- Masses and dimensions are approximate. • Specifications are subject to change without notice.