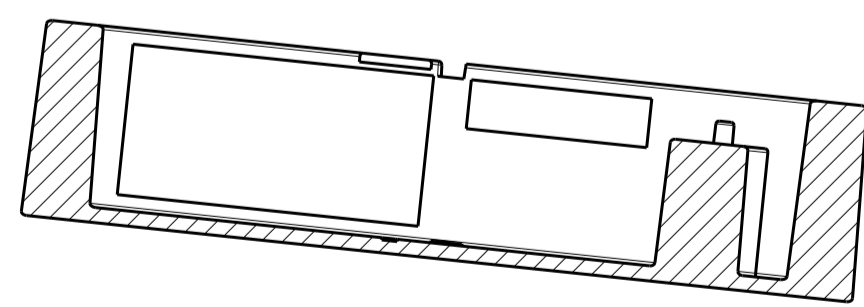
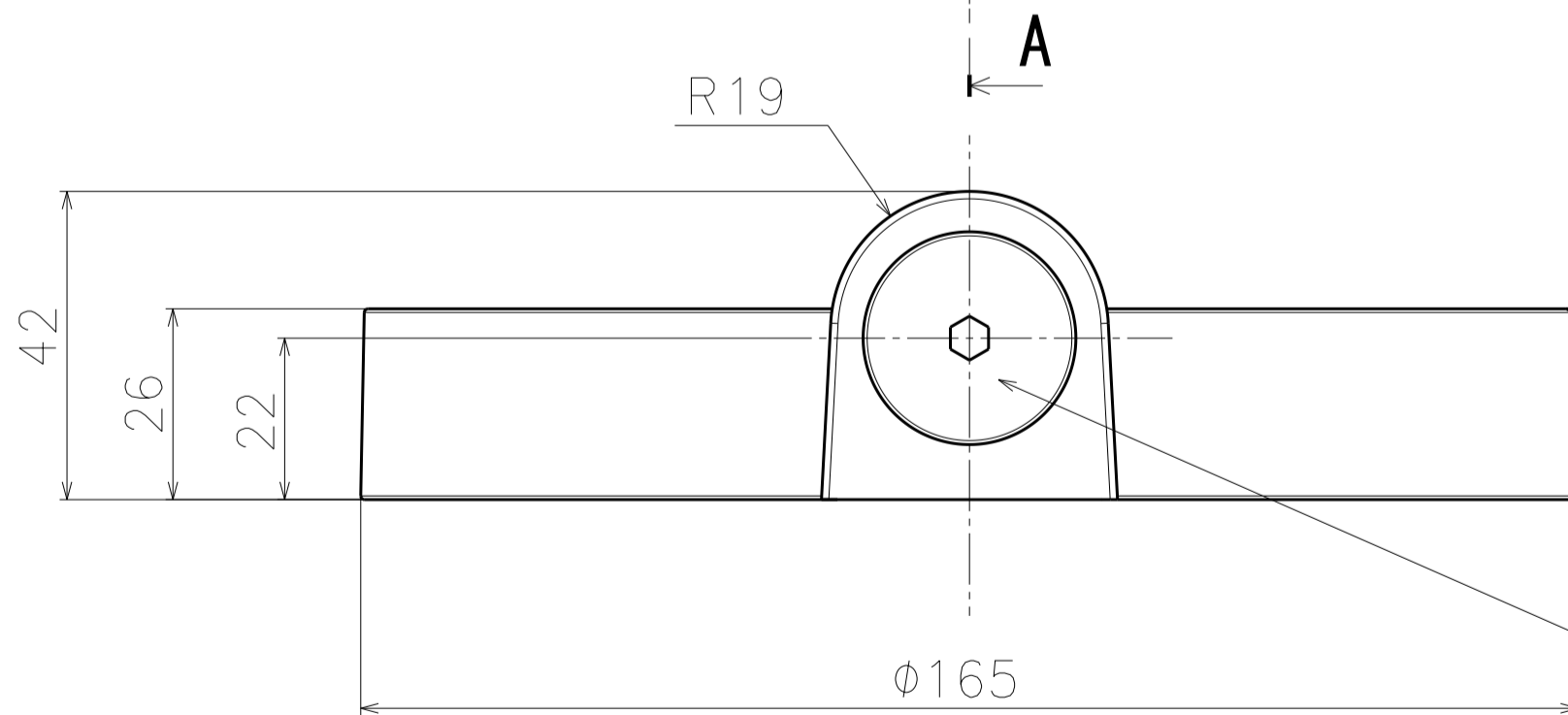


Sec A-A



Sec B-B



投続管用めねじ
Cap for the female thread for the conduit

JIS C 8305 (電線管めねじ) の CTG22, または
JIS B 0202 (管用平行めねじ) の G3/4 に対応しています。
The female thread for conduit is compliant with
ANSI NPSM (parallel pipe threads) 3/4 or
ISO 228-1 (parallel pipe threads) G3/4.

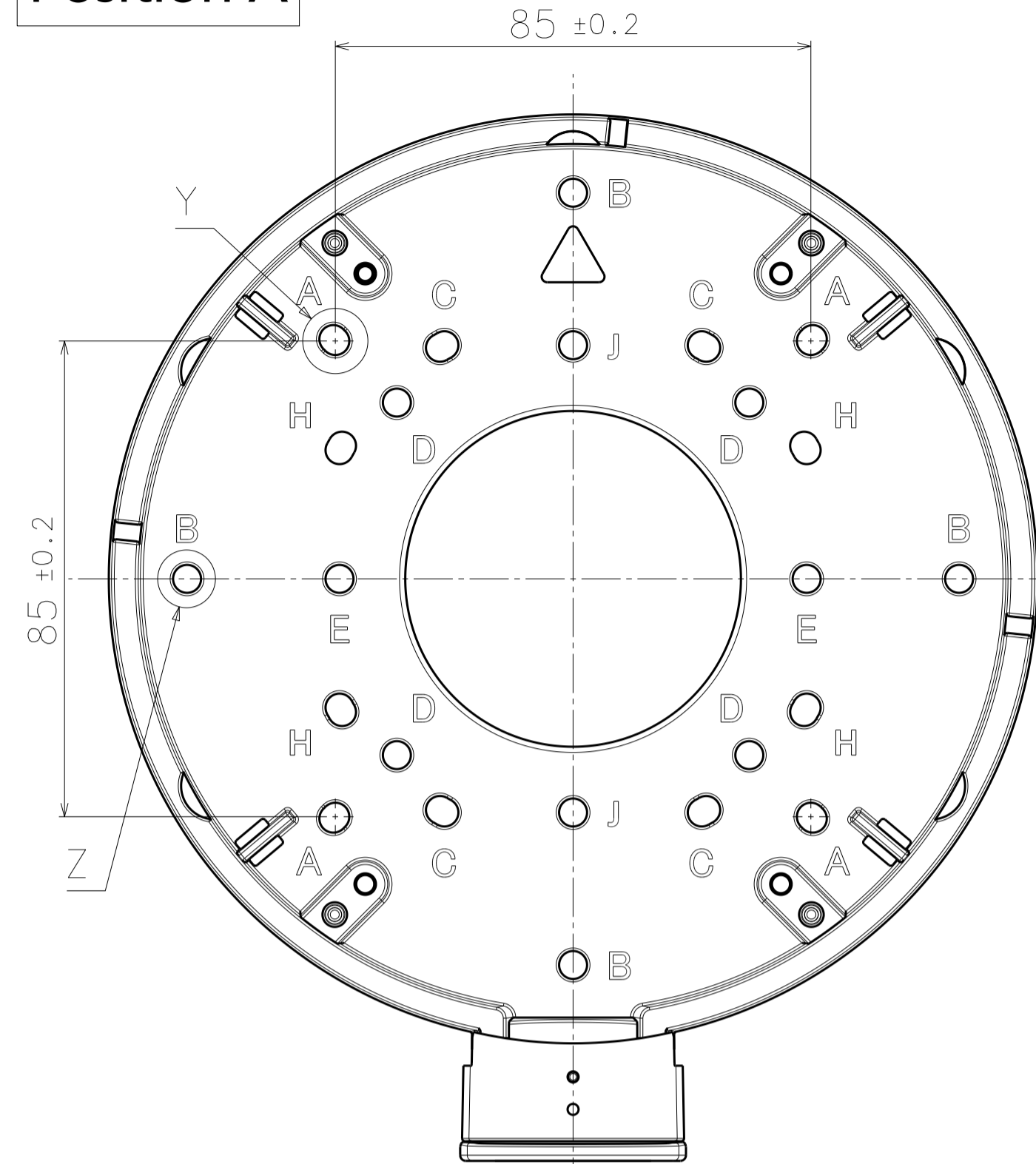
Model number
WV-QJB504-W

	投影面積/Projected area
下面図/Bottom-view	0.005 (m ²)
側面図/Side-view	0.005 (m ²)

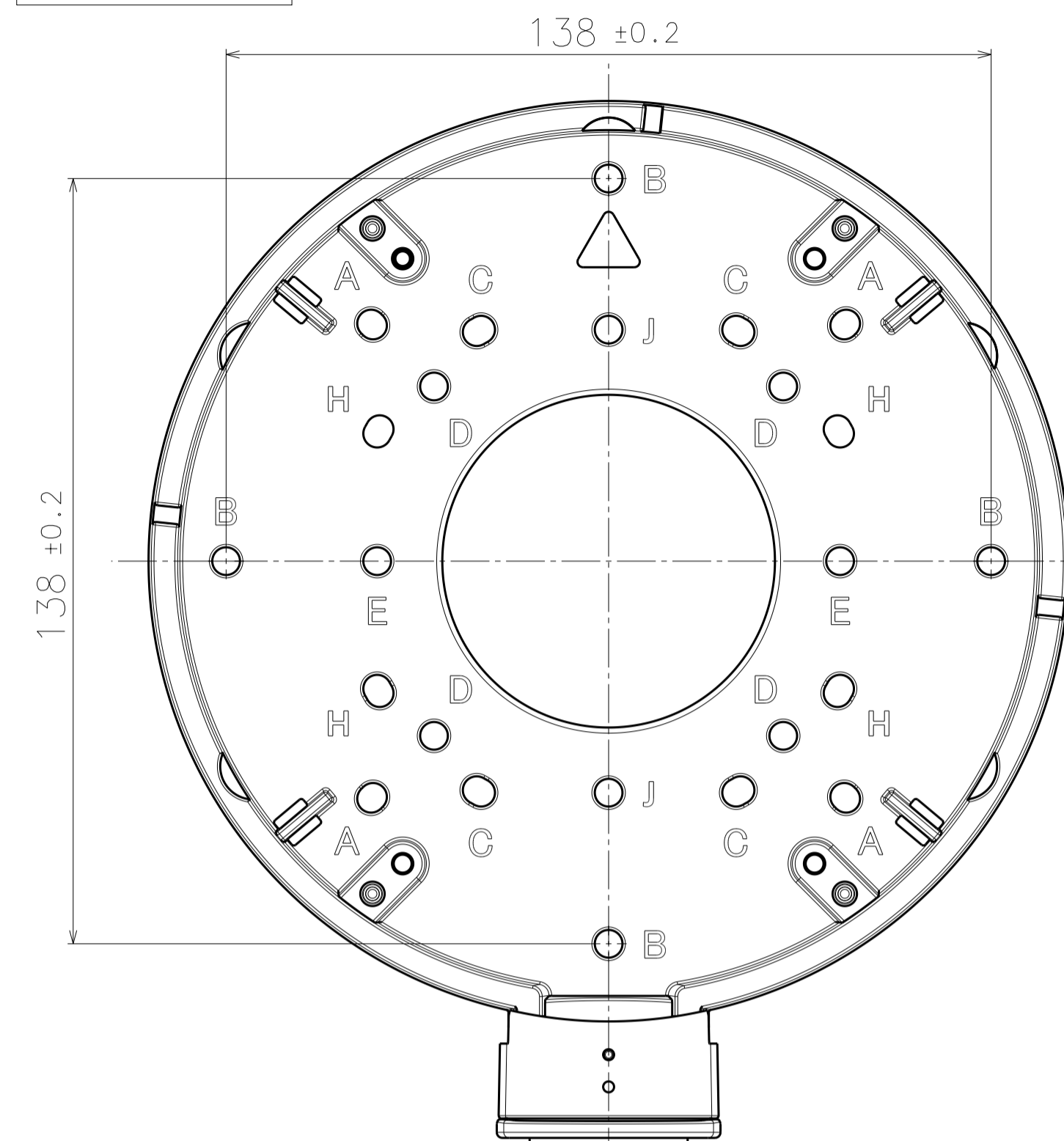
Mass : Approx. 335 g {0.74 lbs}

Mounting hole layout

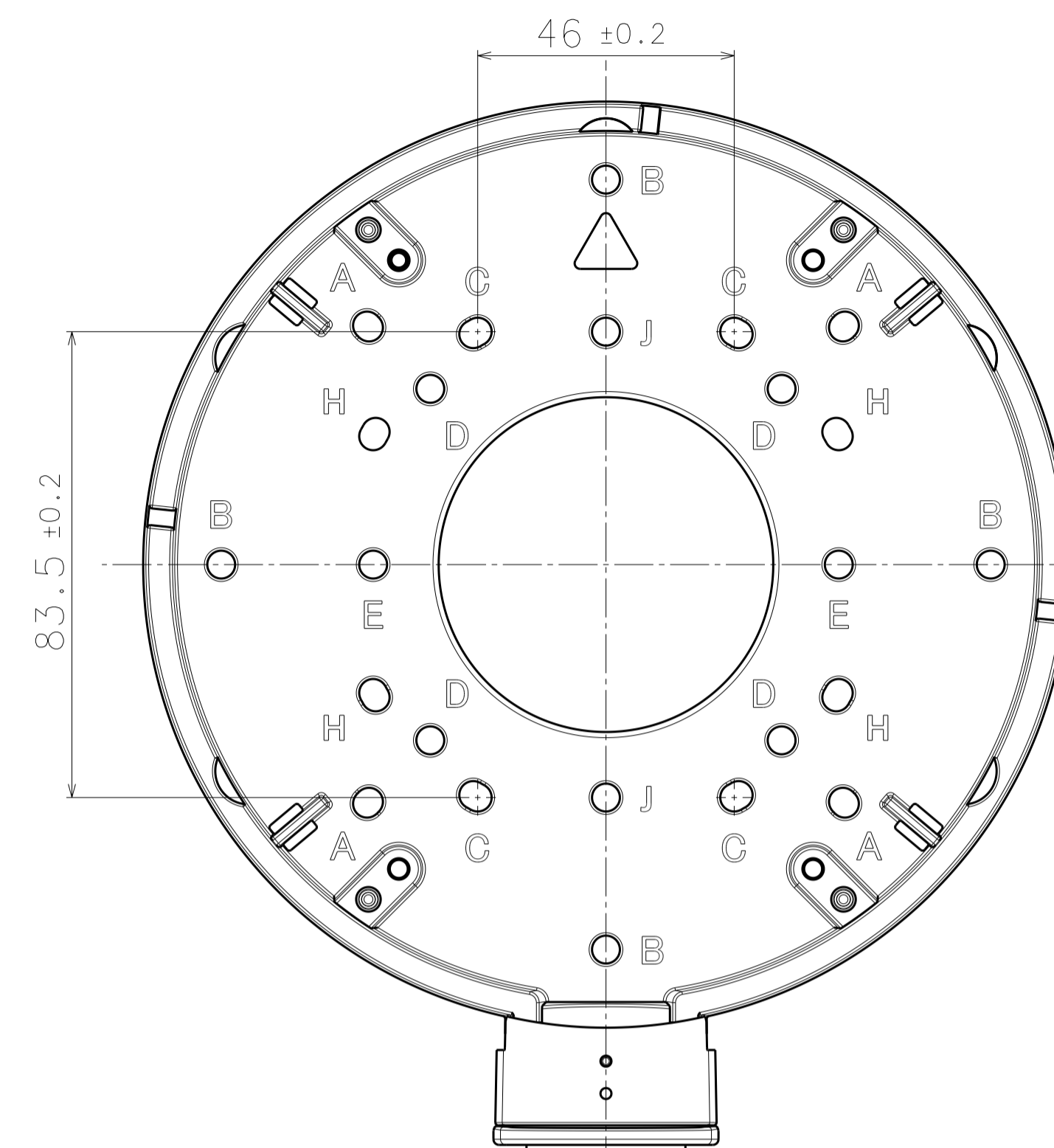
Position A



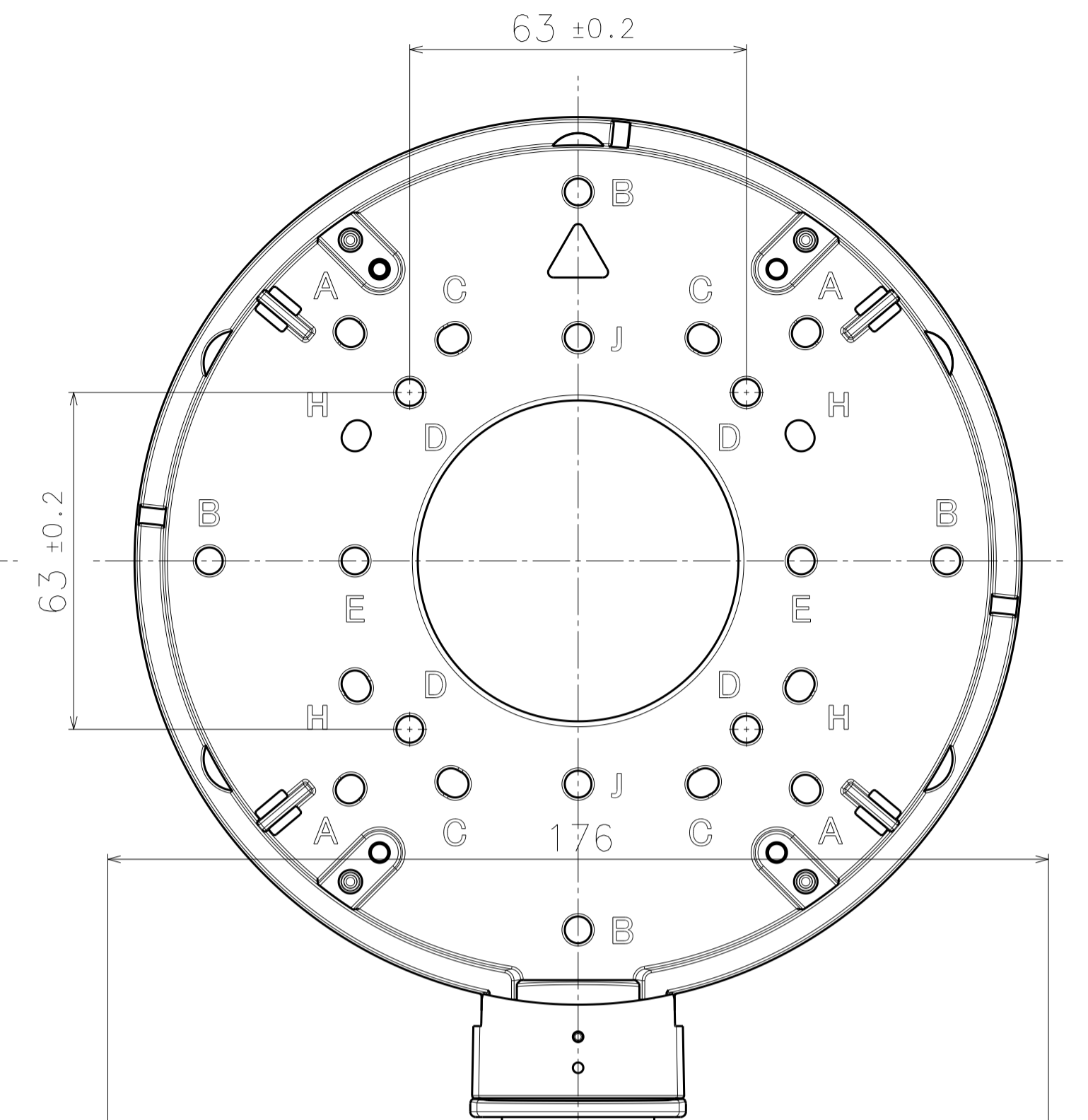
Position B



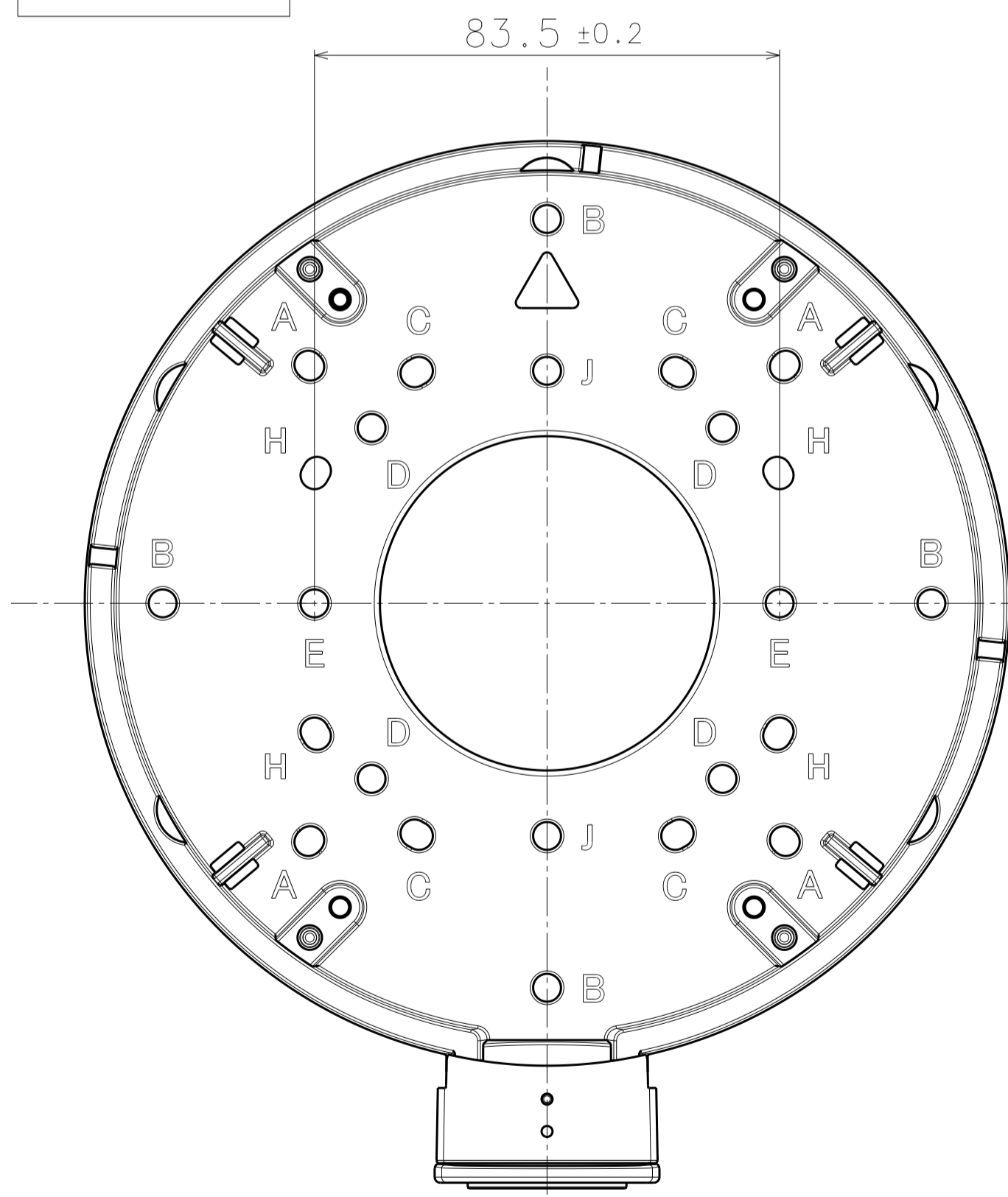
Position C



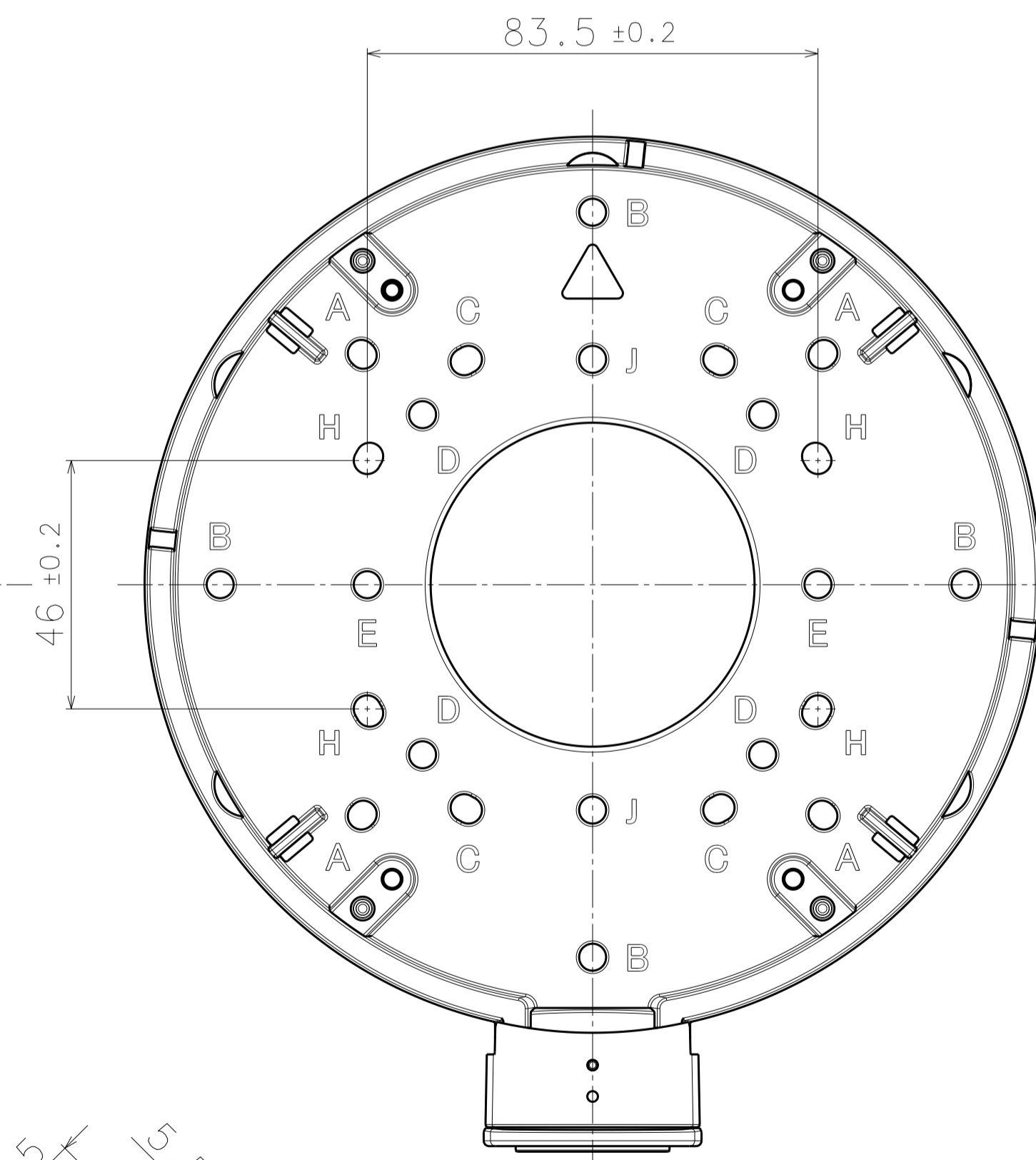
Position D



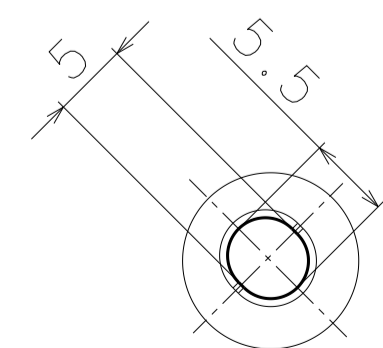
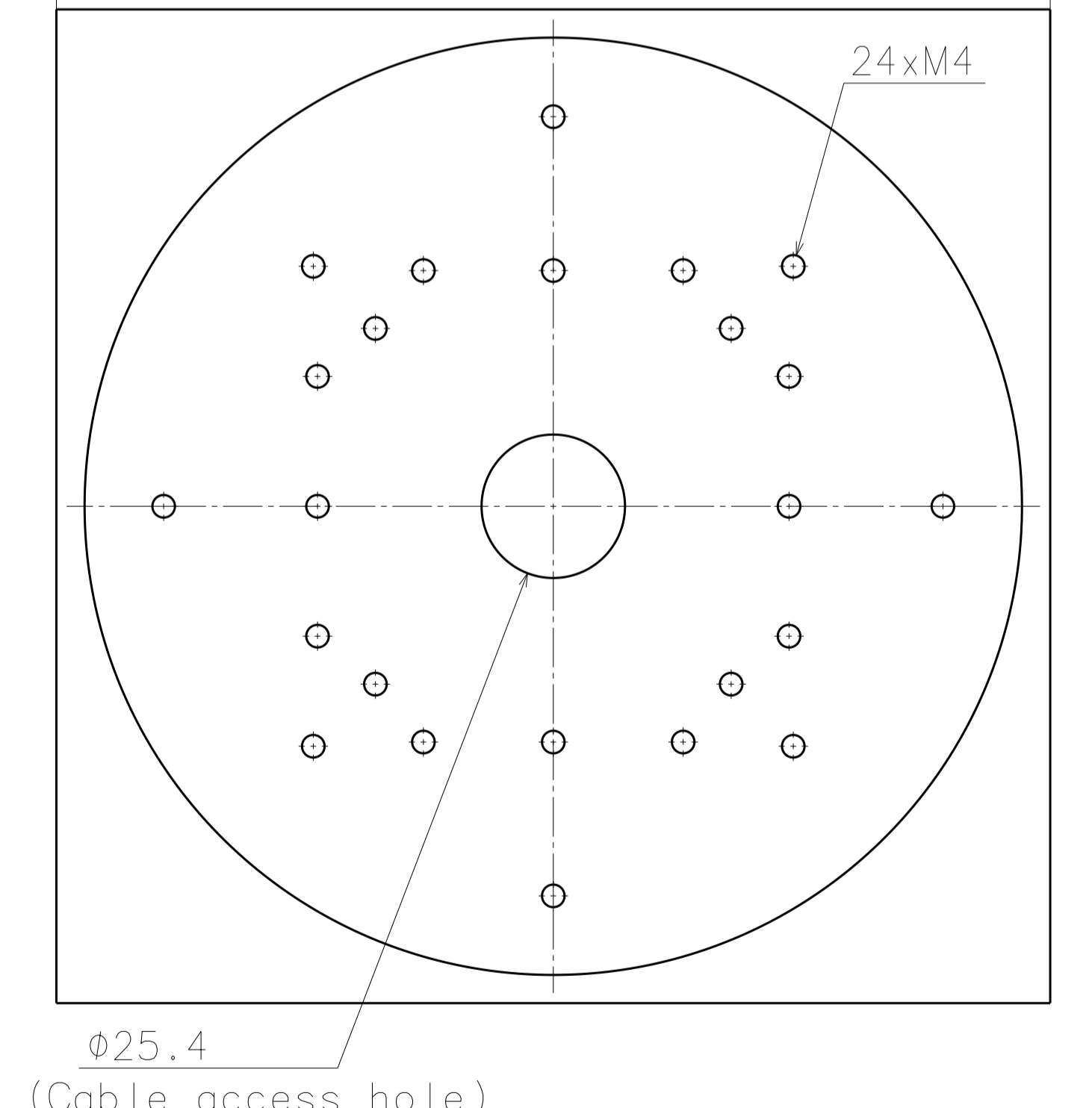
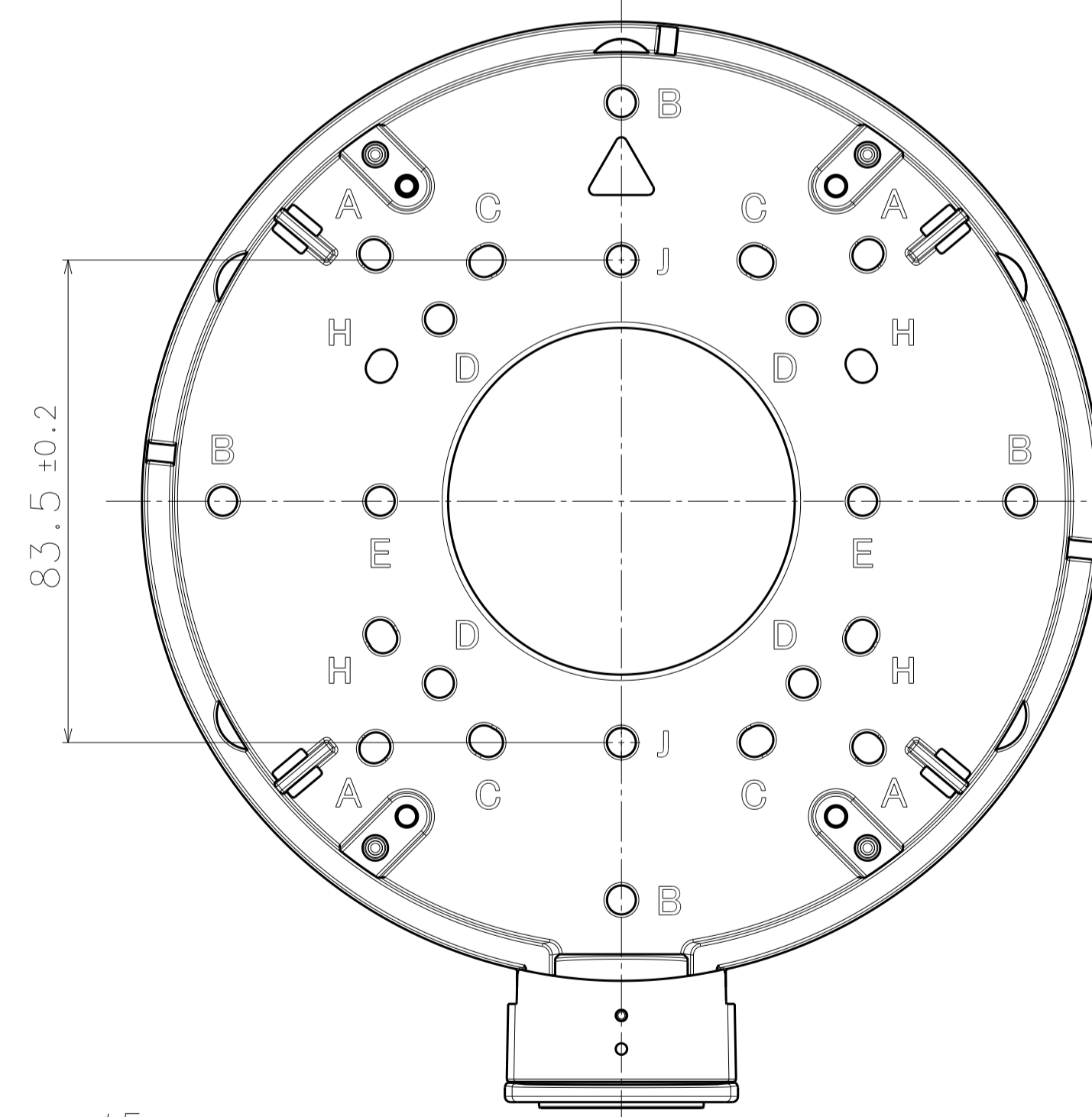
Position E



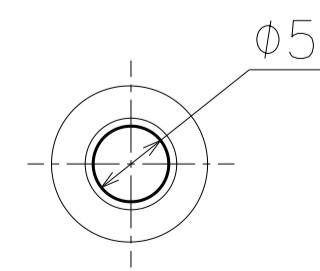
Position H



Position J



Detail Y (2:1)
Hole size (Position A, C, H)

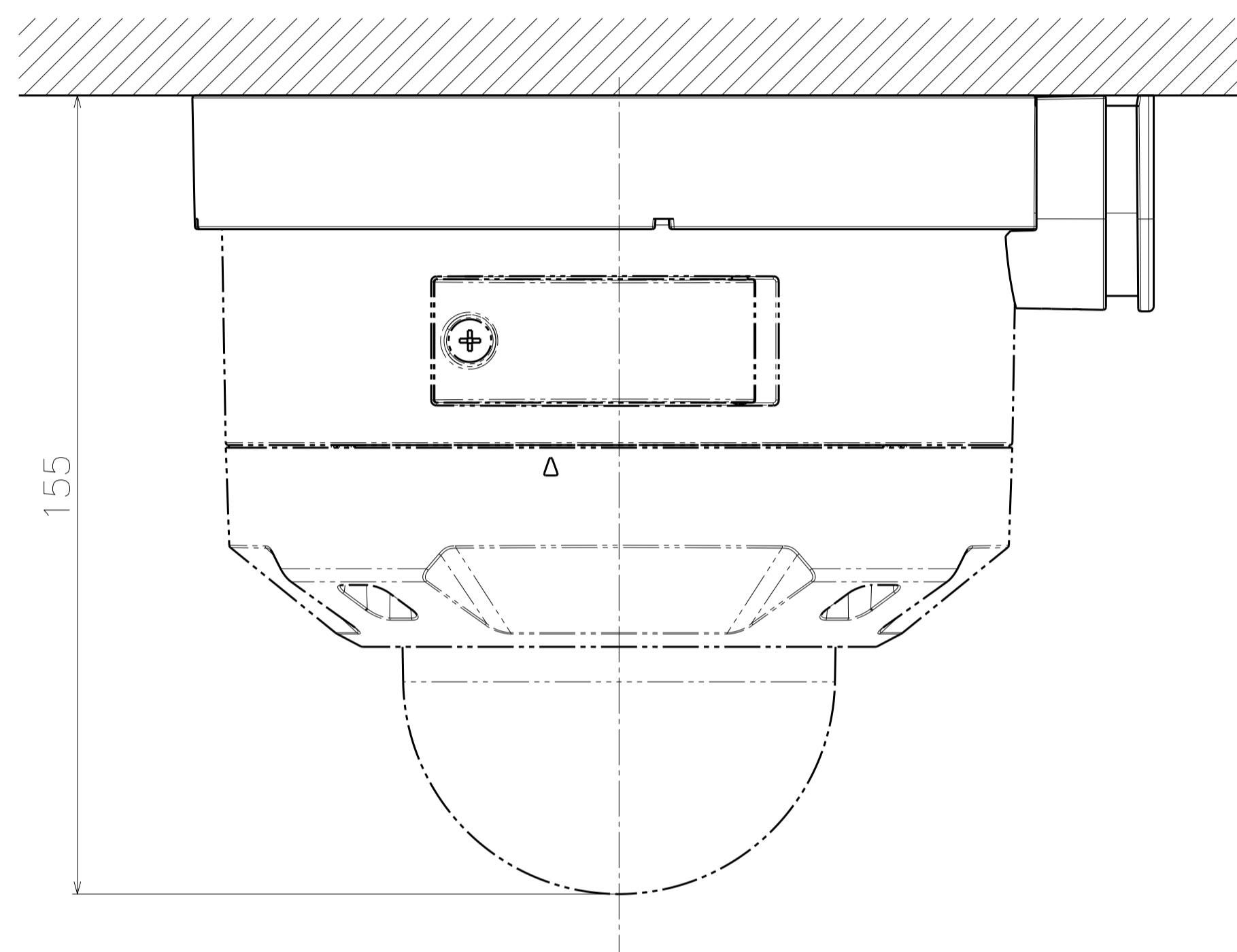


Detail Z (2:1)
Hole size (Position B, D, E, J)

Template for mounting

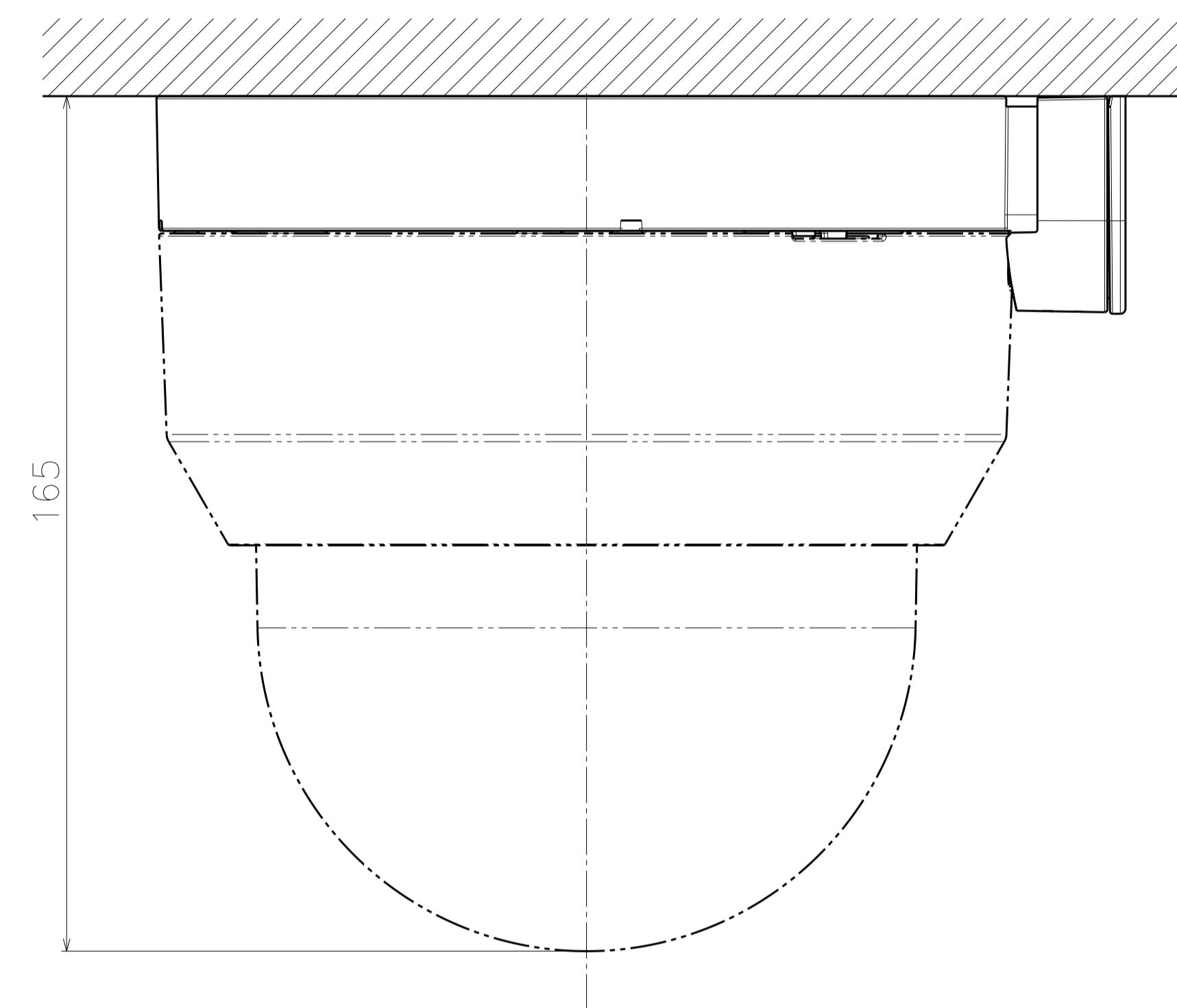
Model number
WV-QJB504-W

カメラとの組み合わせ例
Example of combination with a camera



Attach to WV-U65300-ZY

	投影面積/Projected area
正面図/Front-view	0.020 (m ²)
側面図/Side-view	0.021 (m ²)



Attach to WV-U65301-Z1

	投影面積/Projected area
正面図/Front-view	0.022 (m ²)
側面図/Side-view	0.023 (m ²)

Model number
WV-QJB504-W