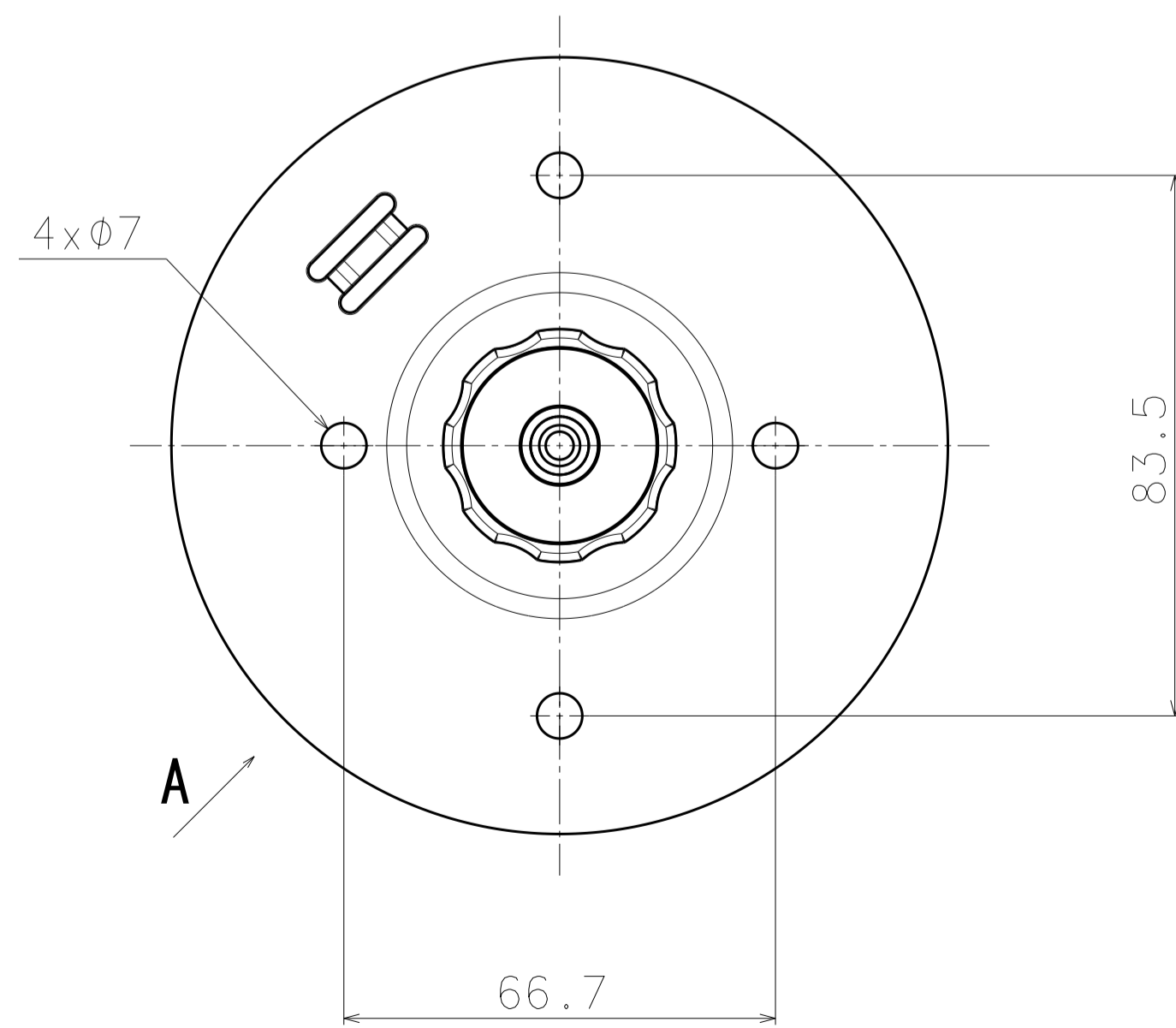


**View A**

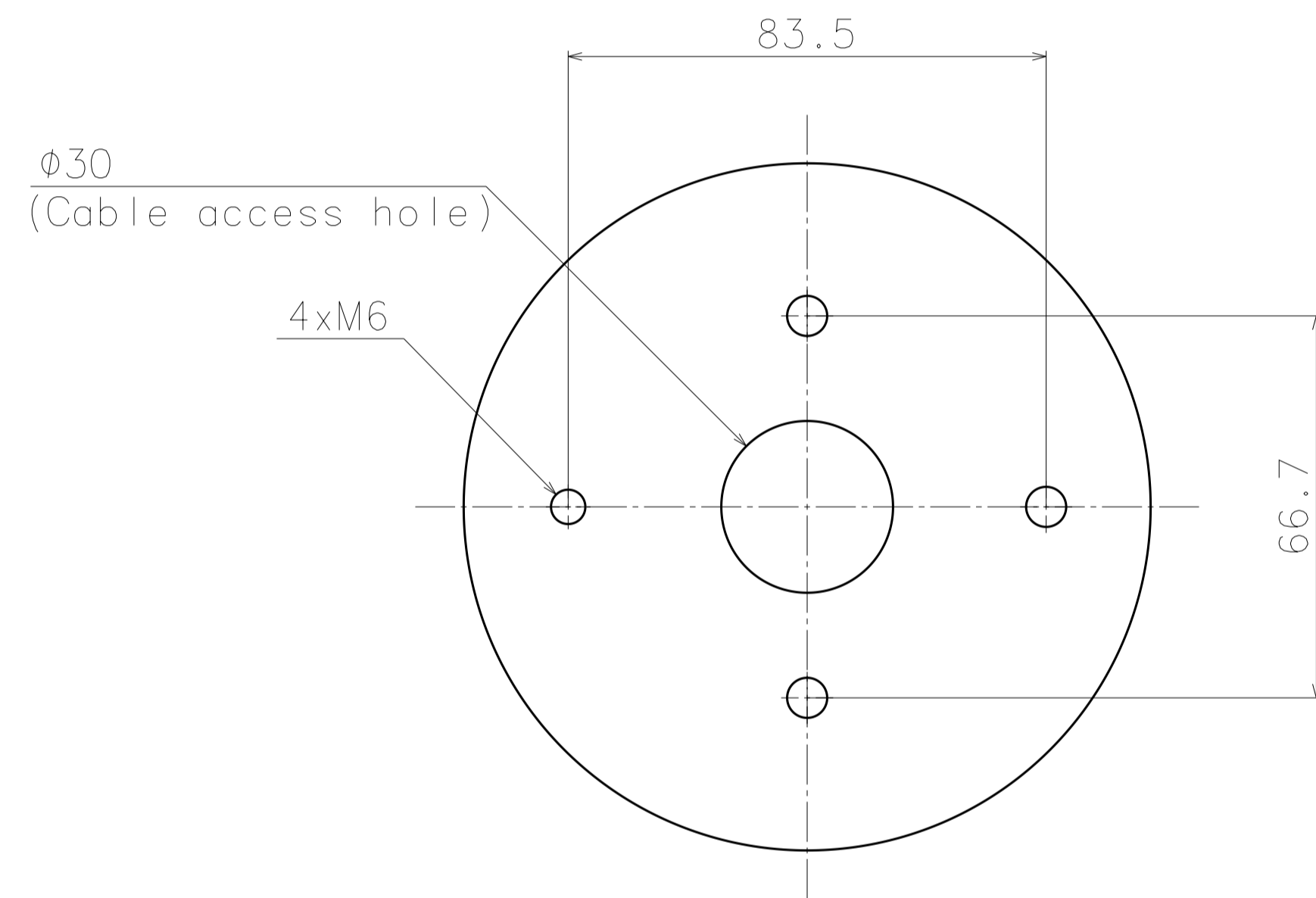


**A**

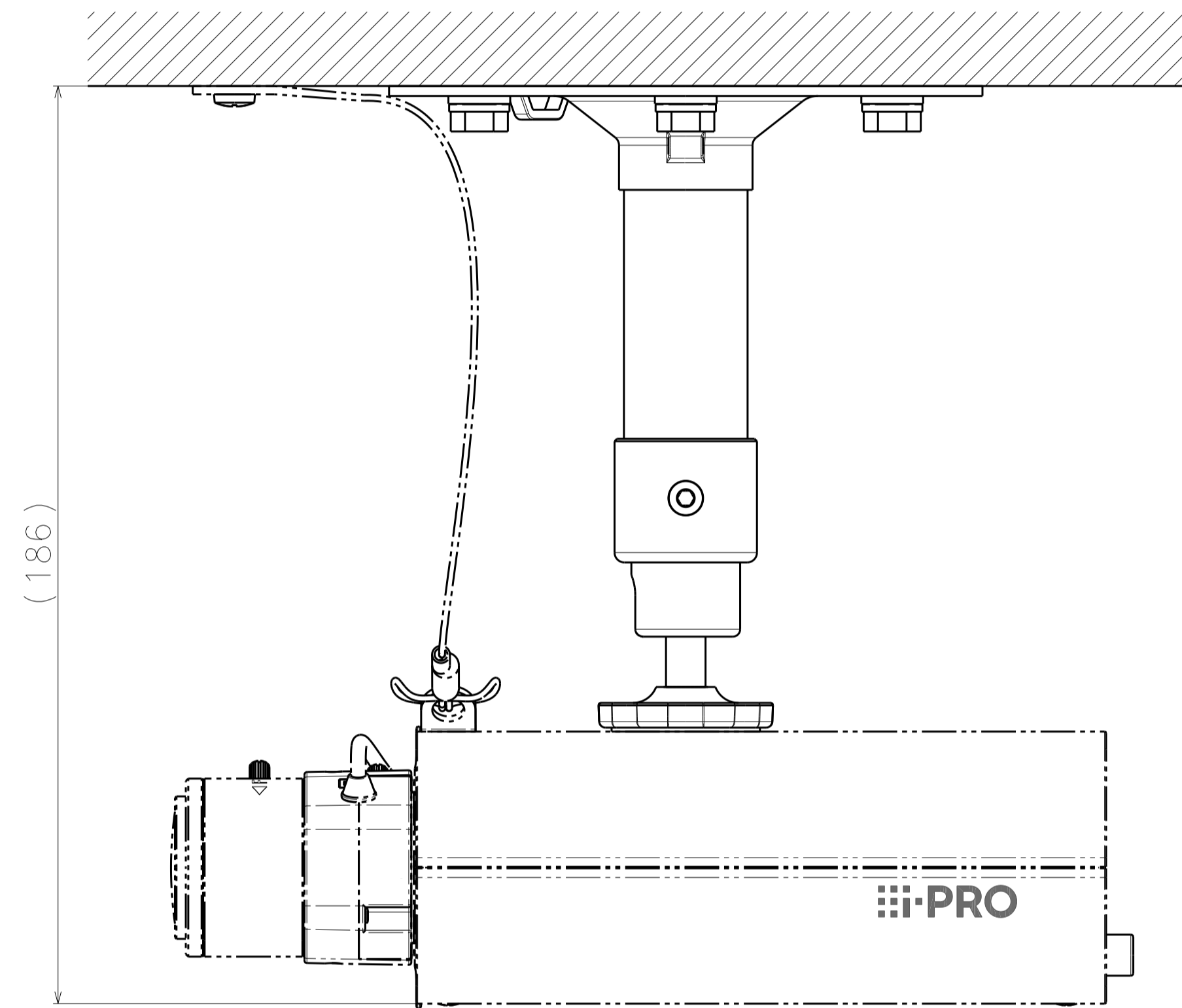
Model number	Color	Camera mount base coating
WV-QCL102-W	White	White
WV-QCL102-B	Black	No

Mass : Approx. 260 g {0.57 lbs}

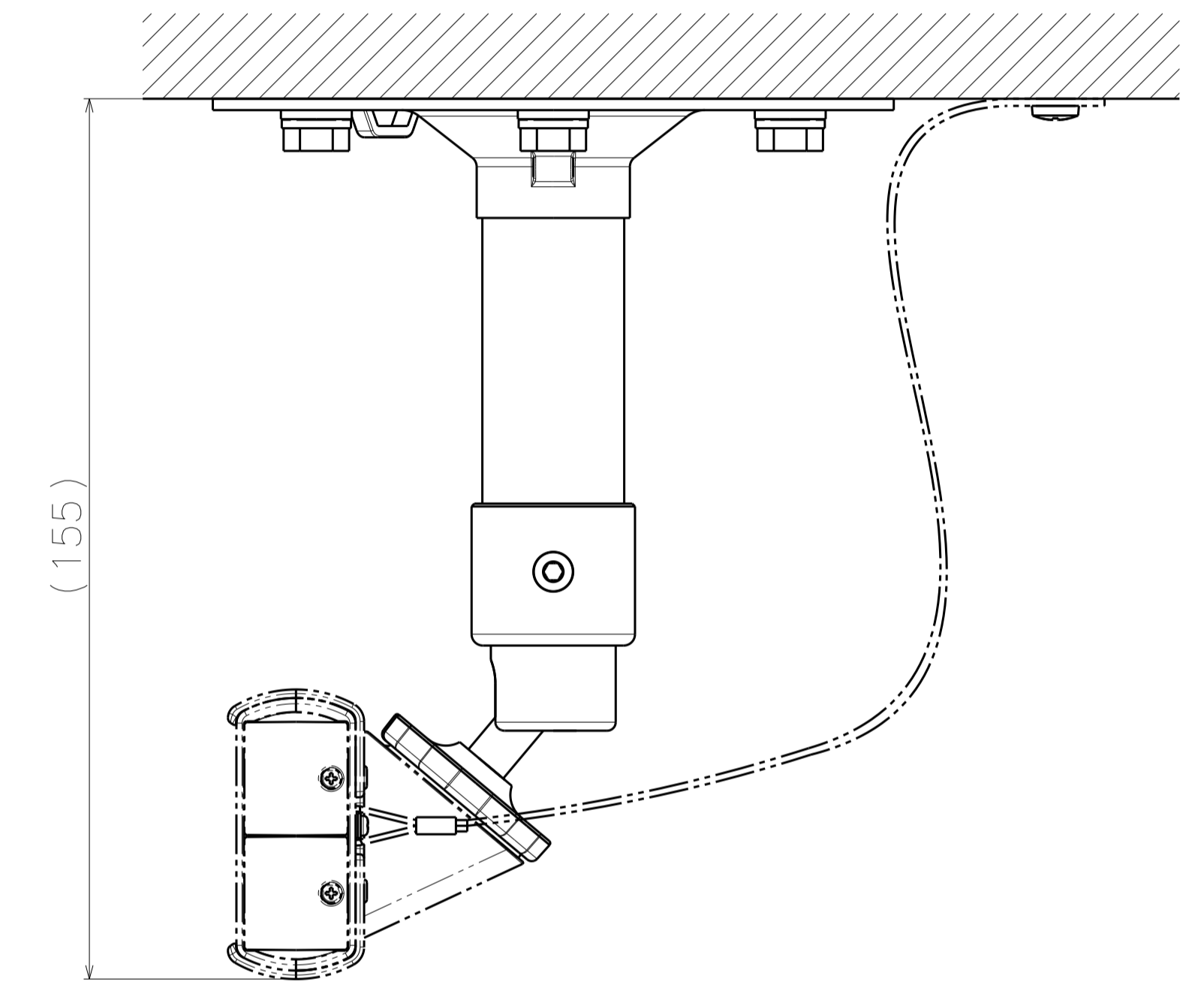
カメラとの組み合わせ例  
Example of combination with a camera



Template for mounting



Attach to WV-S1136



Attach to WV-S71300-F3

Model number  
WV-QCL102-W  
WV-QCL102-B