

High-ceiling mount bracket (6-axis adjustment mechanism)

Description

This bracket is a special mount bracket with a 6-axis adjustment mechanism which is useful for installing the ET-DLE030 to applicable Panasonic projectors to enable short focal-length projection.

NOTE: This ceiling mount bracket cannot be used by itself. Combine it with the optional bracket assembly.

Specifications

Vertical correction angle:	±5°
Horizontal slant correction angle:	±5°
Horizontal turn correction angle:	±5°
Horizontal slide amount	±50 mm
Forward-back slide amount	±50 mm
Vertical slide amount	±50 mm
Dimensions (W × H × D):	380 × 329–489 × 308 mm (14-31/32 × 12-15/16–19-1/8 × 12-1/8 inches)
Weight:	10 kg*
Applicable bracket assembly:	ET-PKD130B/PKD120B
Applicable projectors	[Group A] PT-DZ870K/DZ870W/DZ870LK/DZ870LW/ DW830K/DW830W/DW830LK/DW830LW/DX100K/DX100W/DX100LK/DX100LW [Group B] PT-DZ770S/DZ770K/DZ770LS/DZ770LK/ DW740S/DW740K/DW740LS/DW740LK/DX810S/DX810K/DX810LS/DX810LK/ DZ680S/DZ680K/DZ680LS/DZ680LK/ DW640S/DW640K/DW640LS/DW640LK/DX610S/DX610K/DX610LS/DX610LK/ DZ6710/DZ6710L/ DW730S/DW730K/DW730LS/DW730LK/DX800S/DX800K/DX800LS/DX800LK/ DZ6700/DZ6700L/DW6300S/DW6300K/DW6300LS/DW6300LK/ D6000S/D6000K/D6000LS/D6000LK/D5000S/D5000LS

* Average value. May differ depending on models.

Weights and dimensions shown are approximate. Specifications and appearance are subject to change without notice.

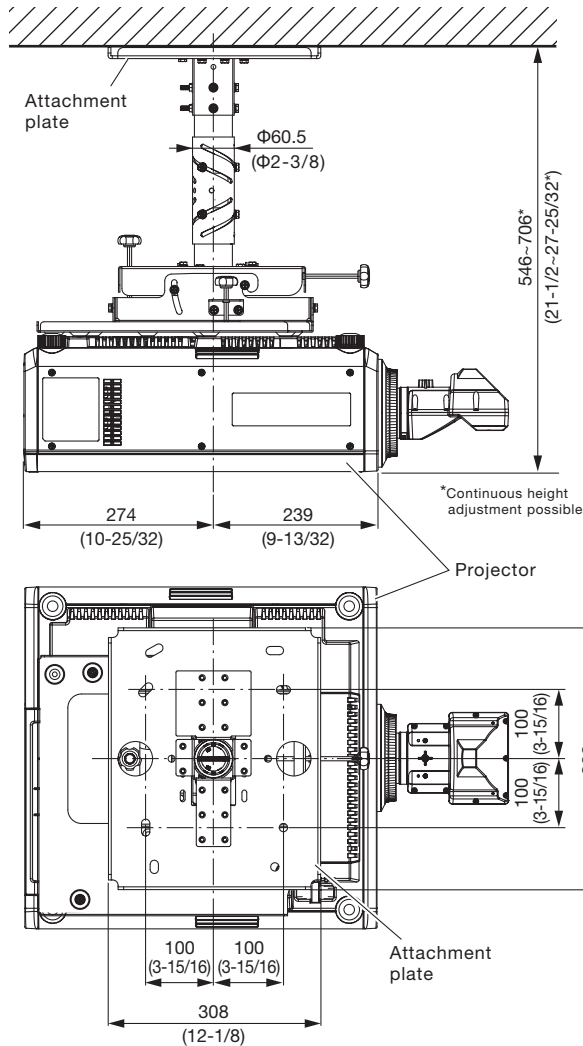
Parts	Attachment plate	1	Washer-fitted hexagonal bolts (M6 × 80)	2
	Adjustment pole unit	1	Washer-fitted bolts (M6 × 16)	26
	Angle adjustment unit	1	Hexagonal head bolt (M8×130)	2
	Pole support bracket 1	1	Plain washers	2
	Pole support bracket 2	1	Hexagonal nuts (M6)	2
	Adjustment knob bracket	1		

Caution:

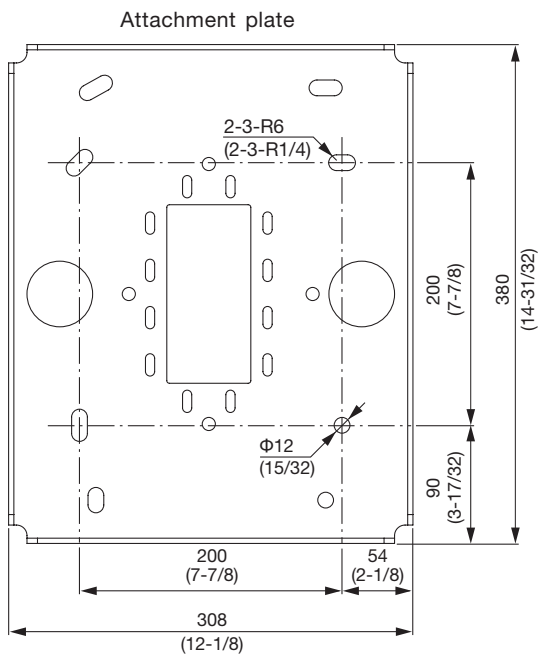
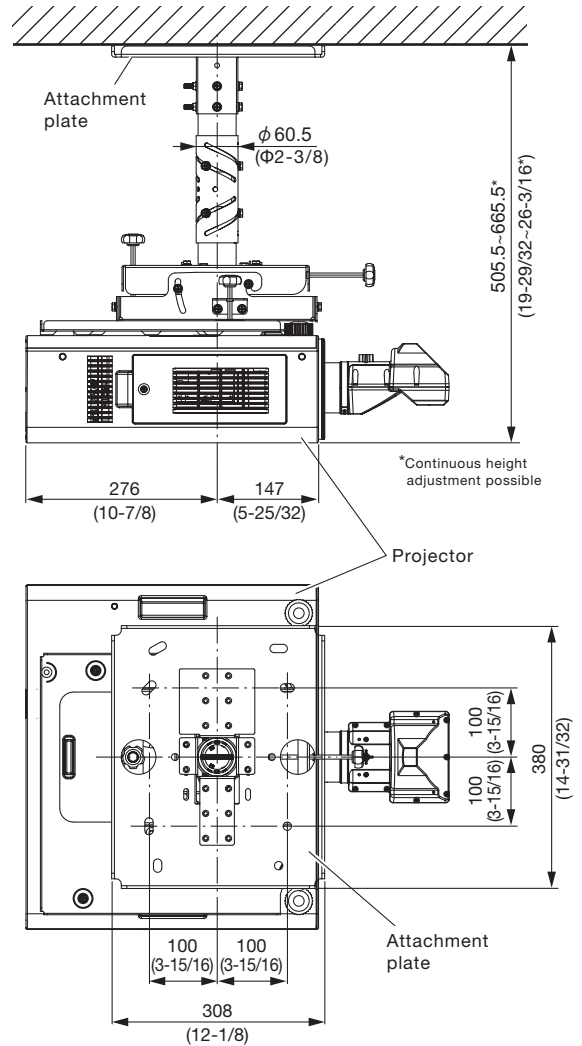
- Mounting should be done by a qualified technician.
- Make sure that the mounting (ceiling) area has sufficient strength.
- Read the enclosed mounting instructions thoroughly before starting.
- Do not use an electric screwdriver or impact driver to tighten screws. (Use a torque driver or similar tool.)
- When the product is no longer going to be used, have it disposed of quickly by a professional disposal service.

Dimensions

<Diagram showing installation together with the ET-PKD130B/PKD120B to a Group A projector>



<Diagram showing installation together with the ET-PKD130B/PKD120B to a Group B projector>



unit : mm (inch)
NOTE: This illustration is not drawn to scale.