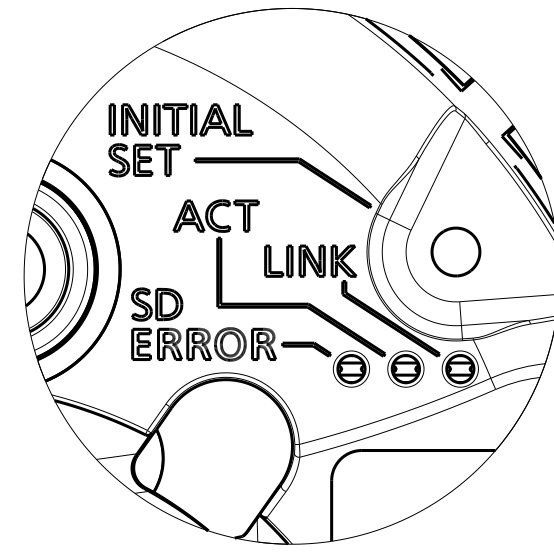
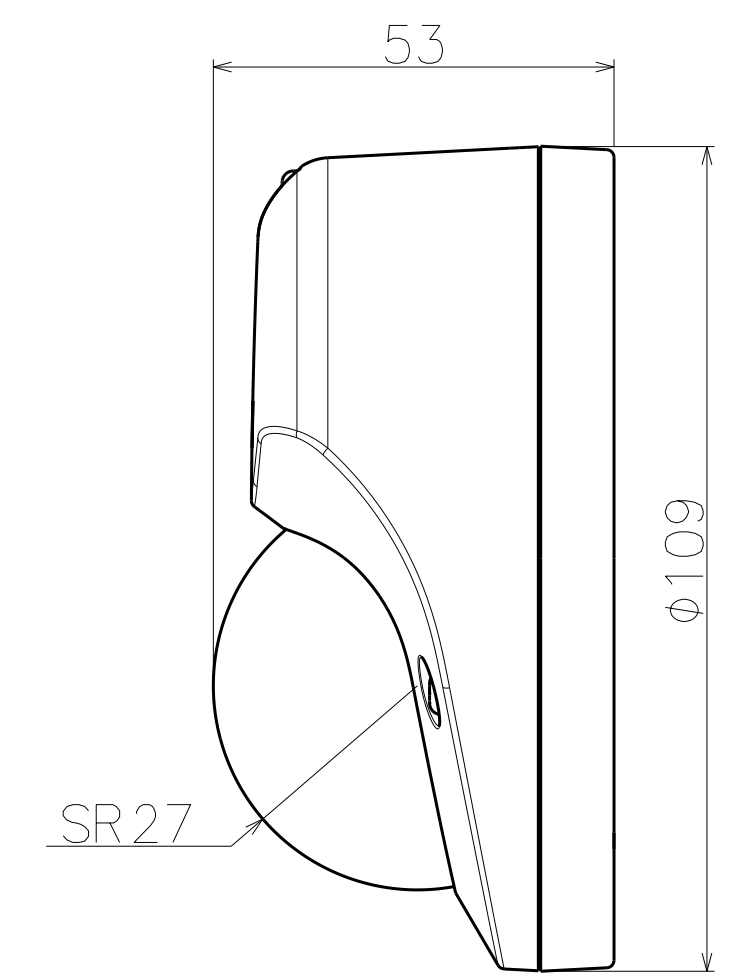
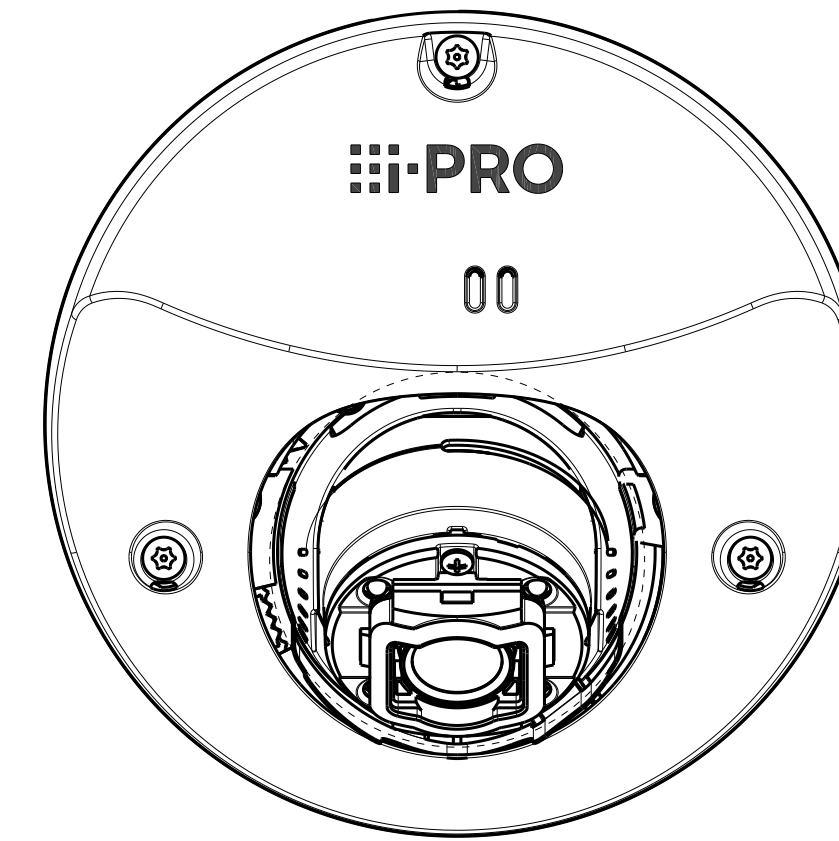
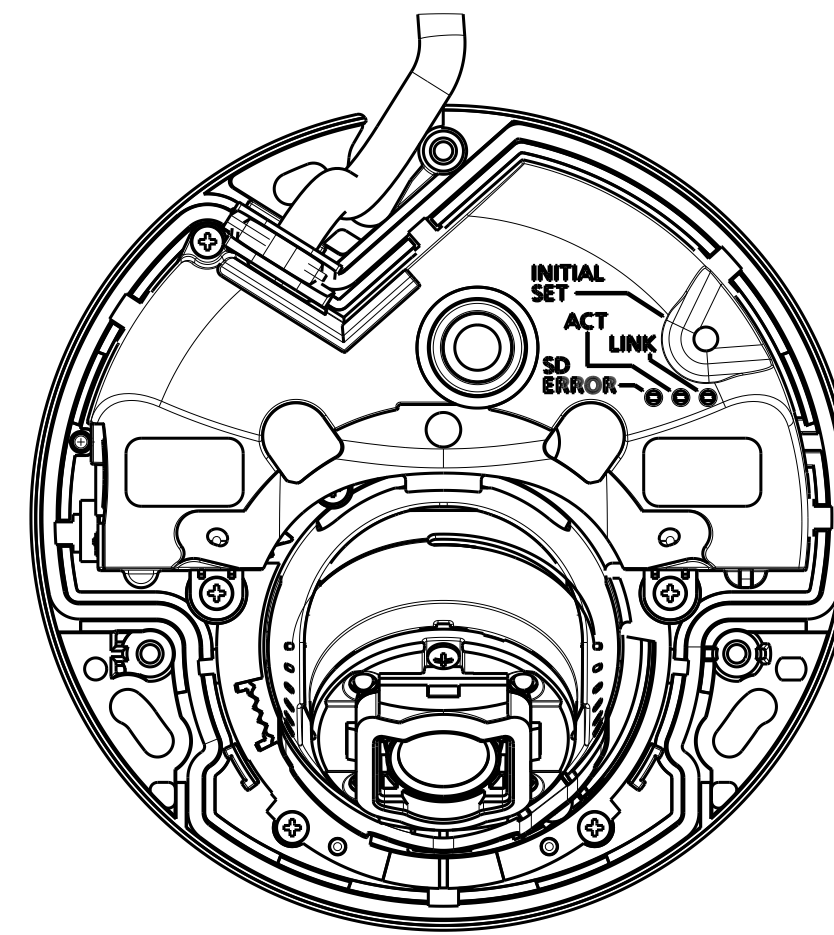
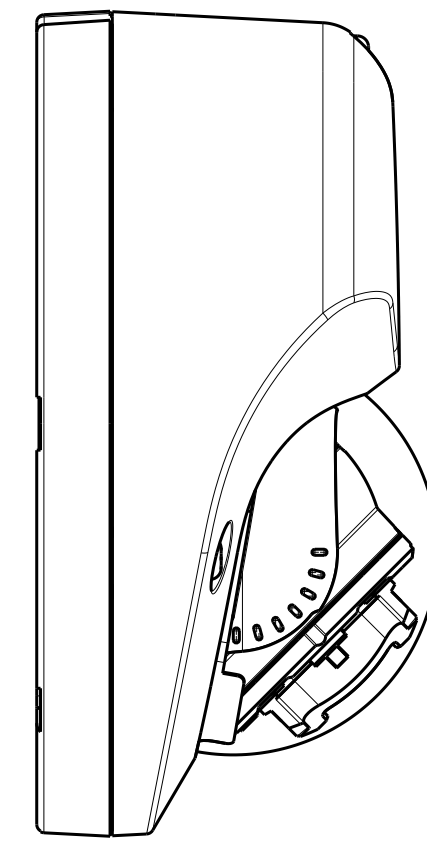
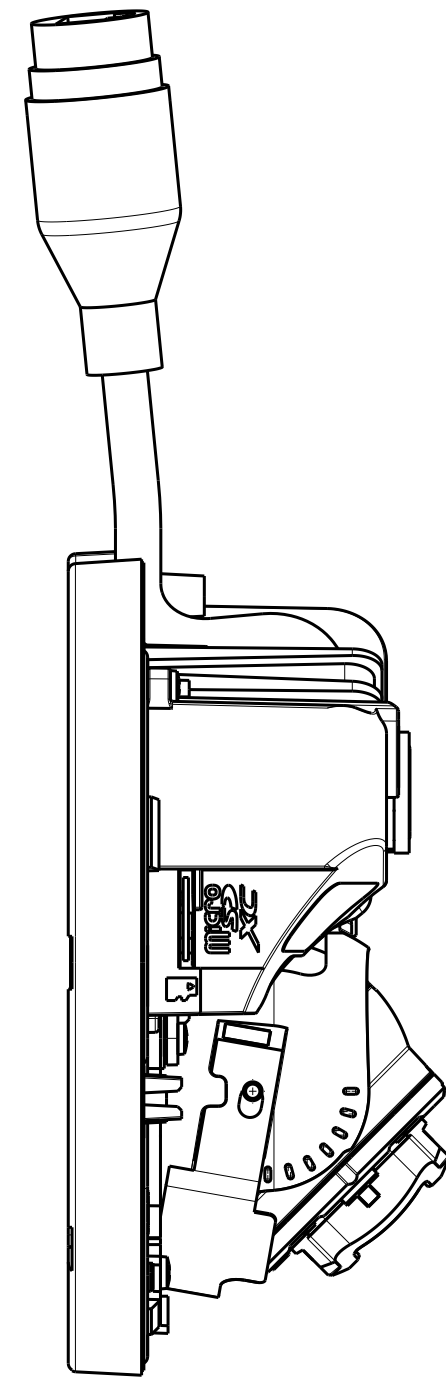
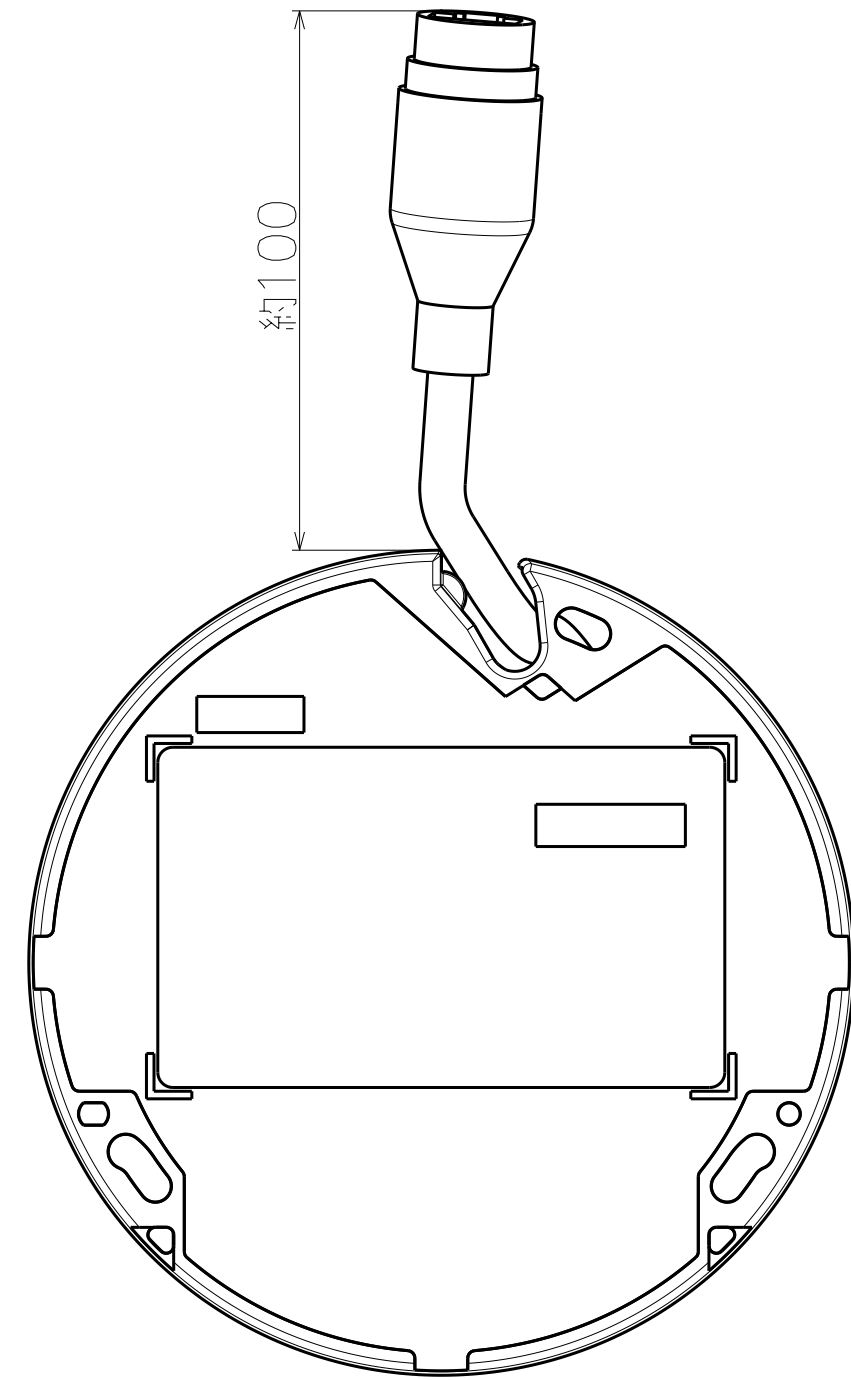
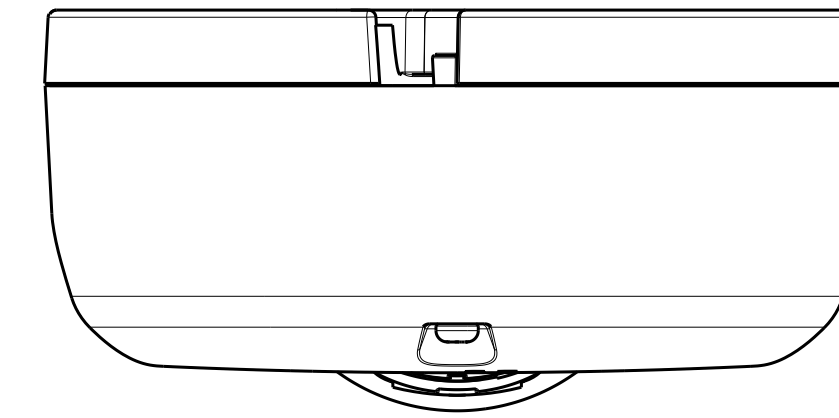
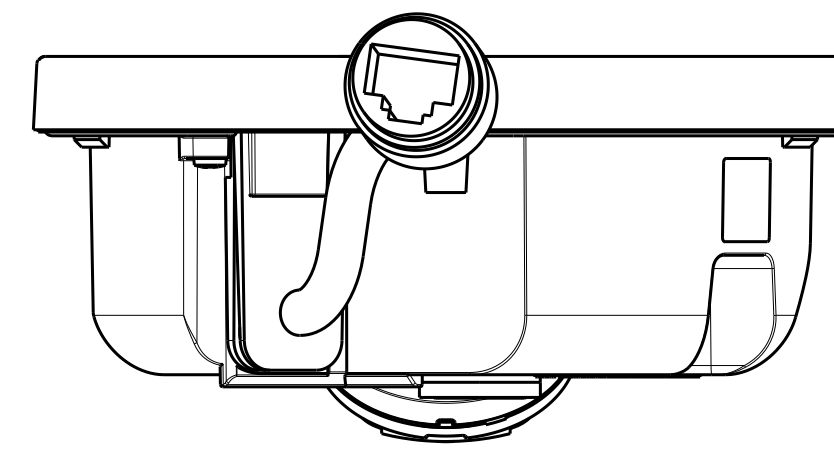


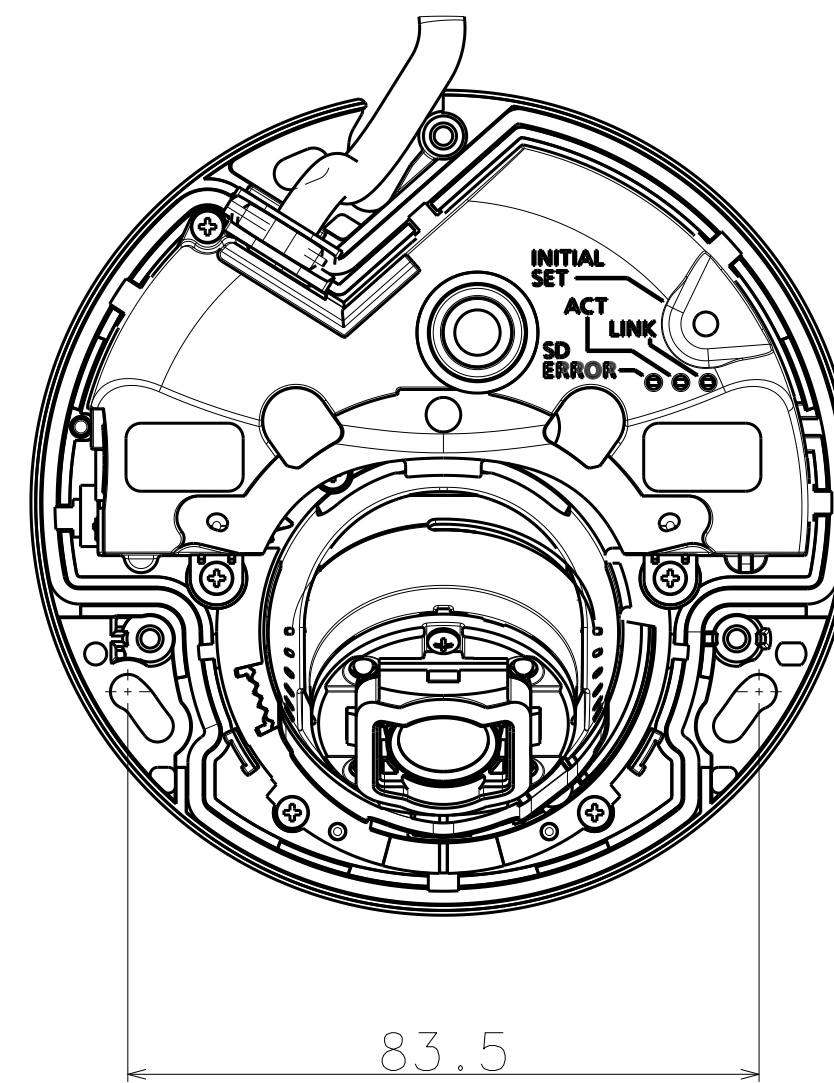
Detail of Micro SD  
S=2:1



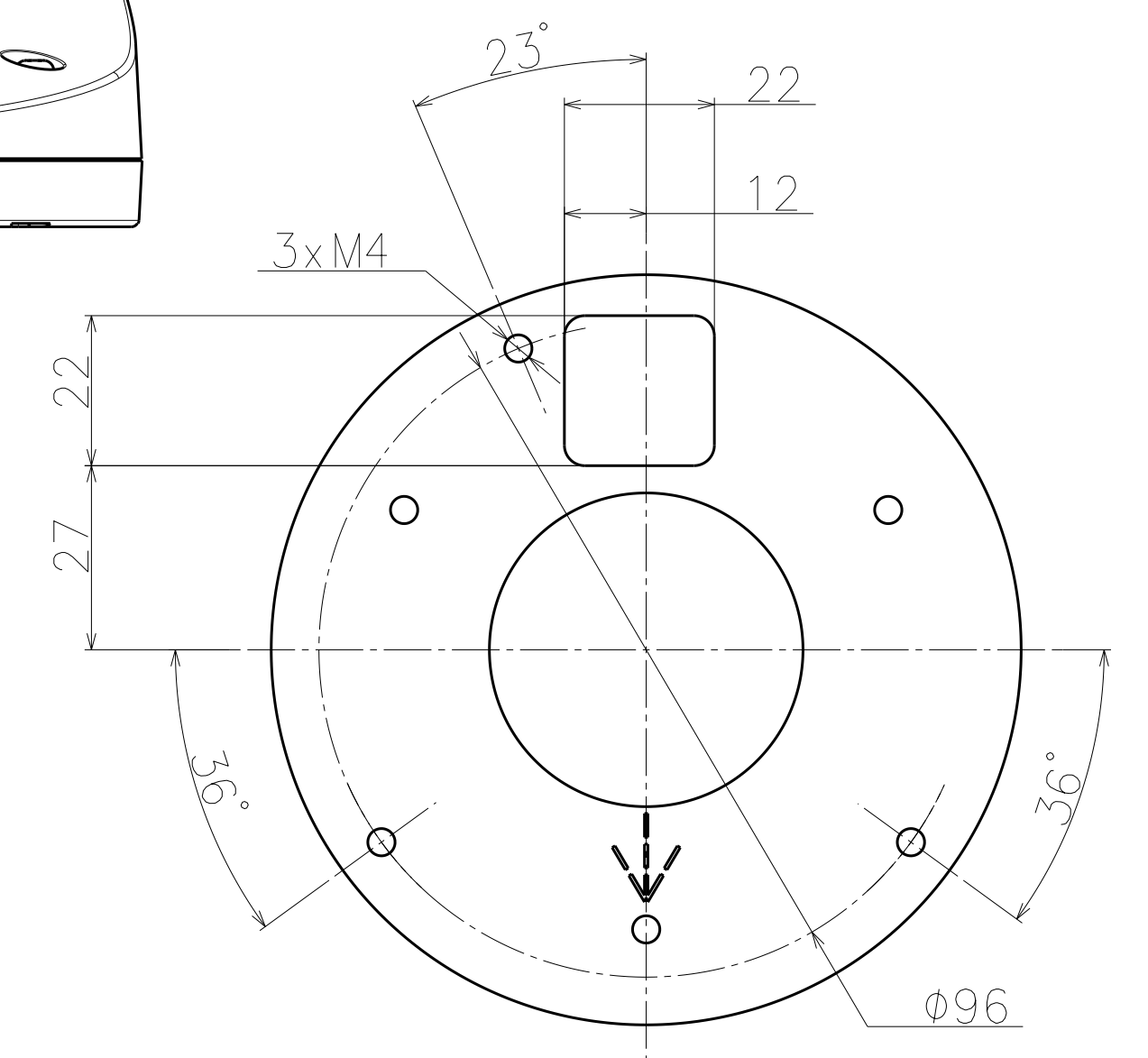
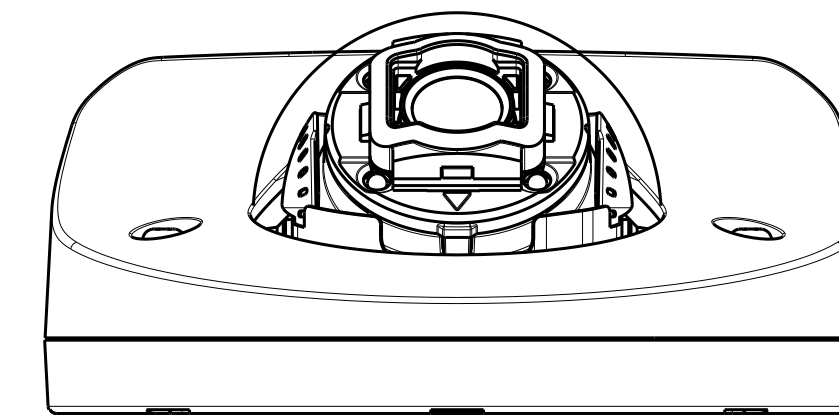
Detail of LED  
S=2:1



<Removing Enclosure>



83.5



TEMPLATE

Model number
WV-S3531L (WV-S3531LZYS)
WV-S3531LV (WV-S3531LVPT)

	投影面積/Projected area
正面図/Front-view	0.0050 m <sup>2</sup>
側面図/Side-view	0.0047 m <sup>2</sup>