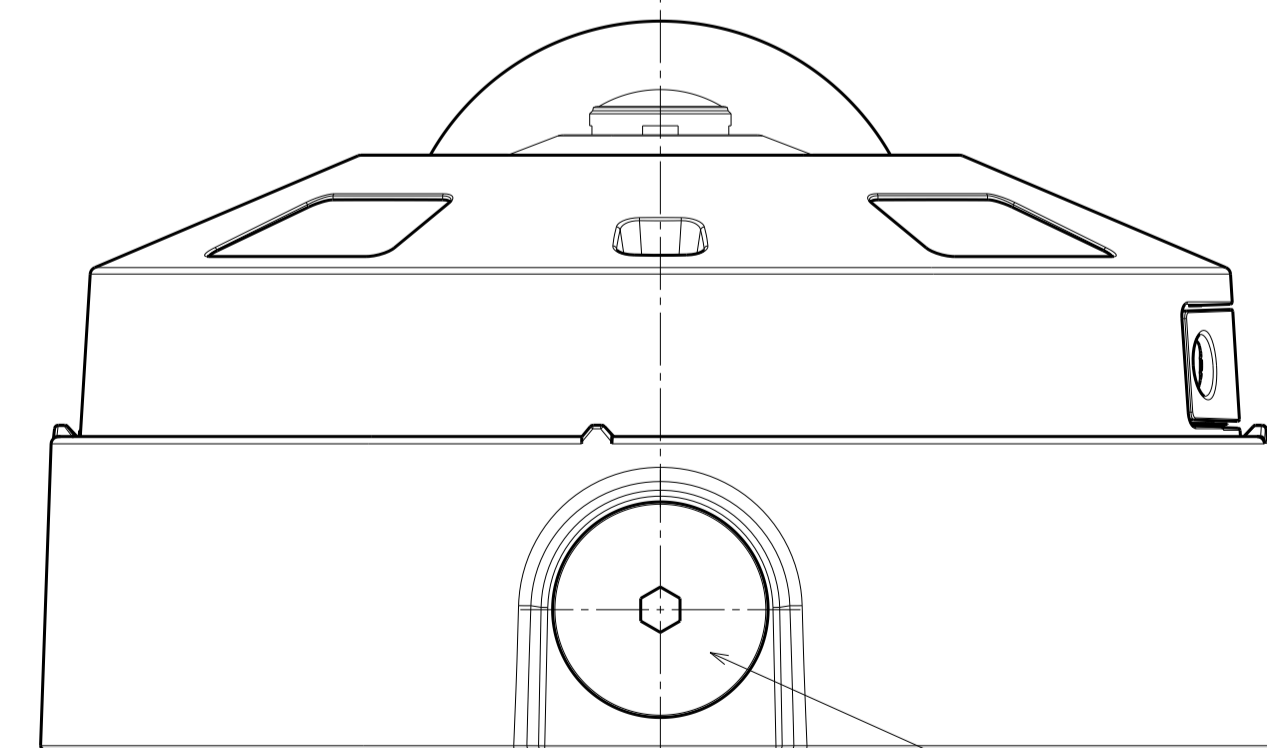
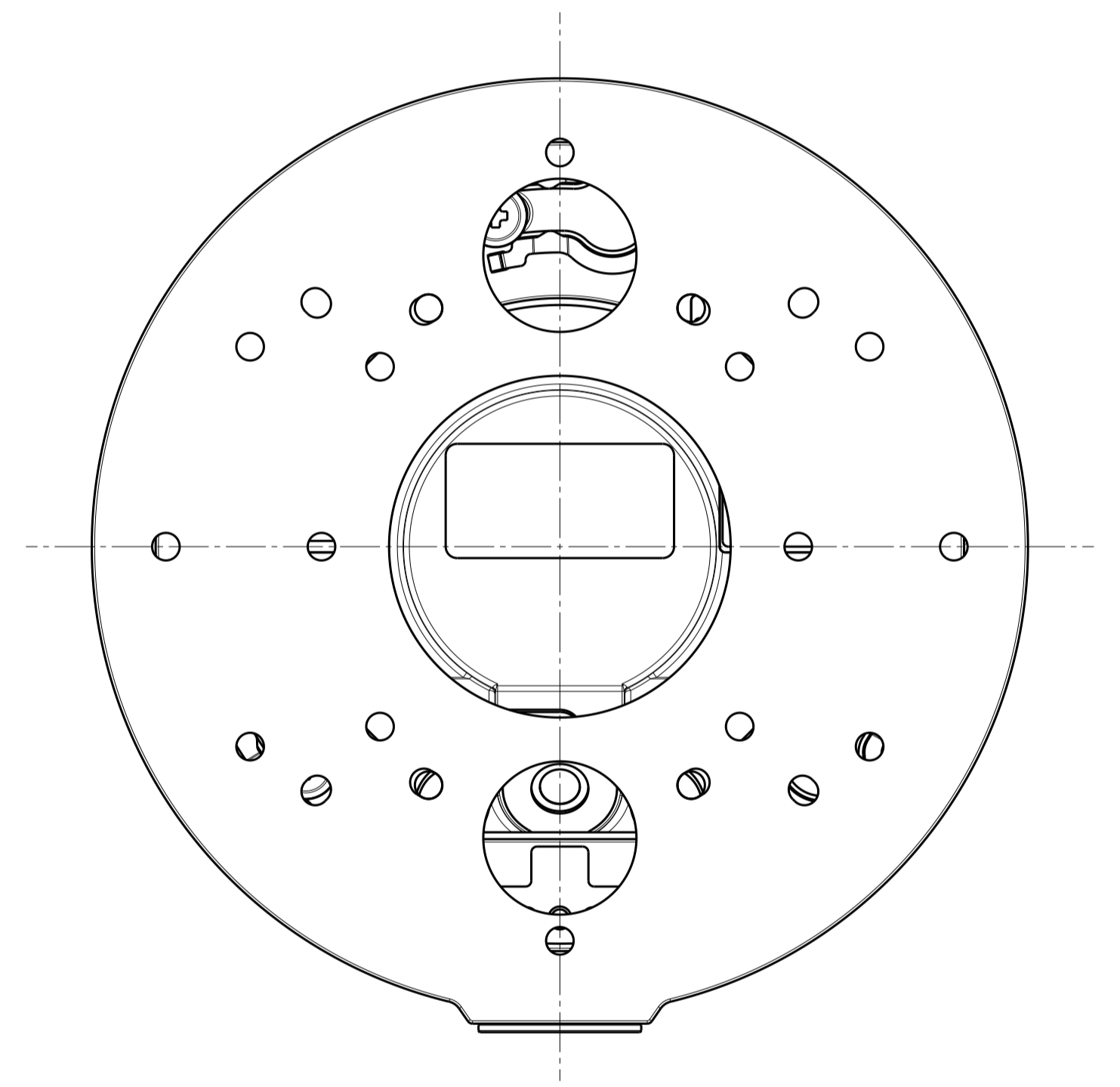
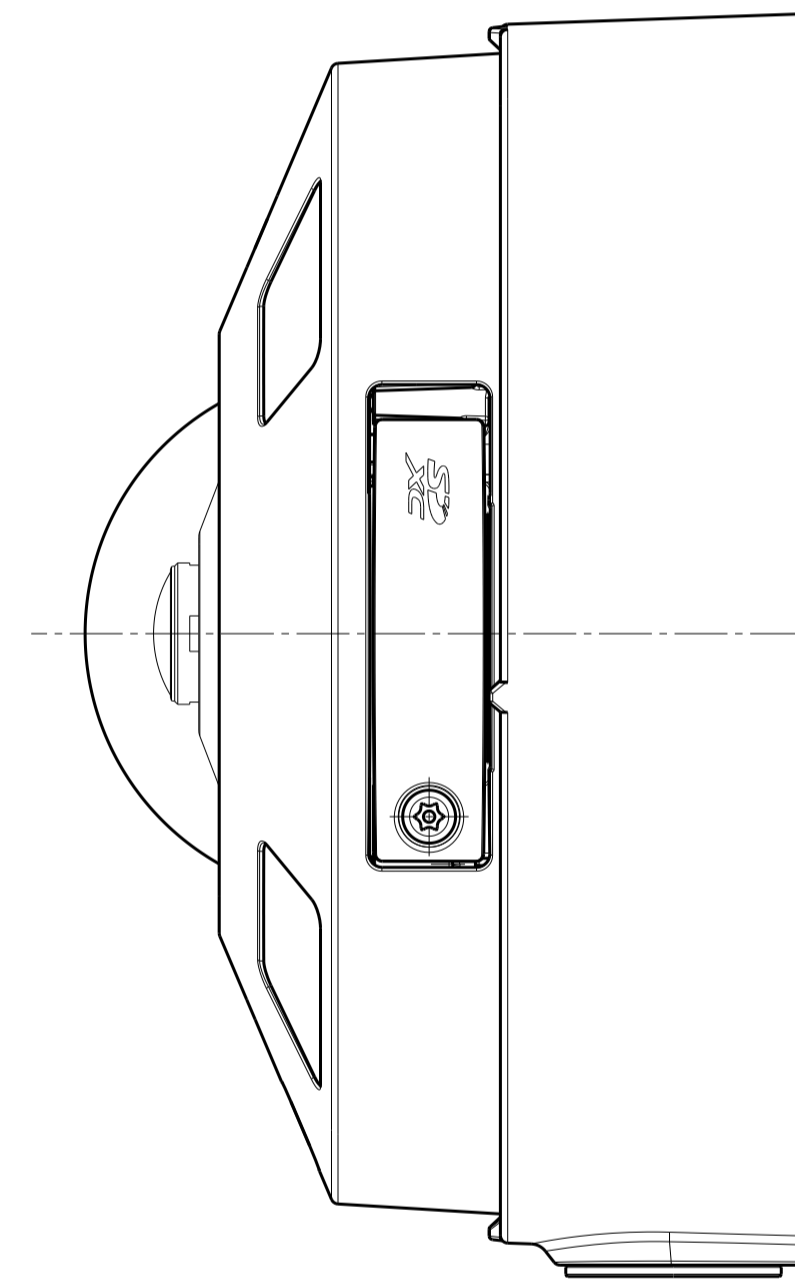
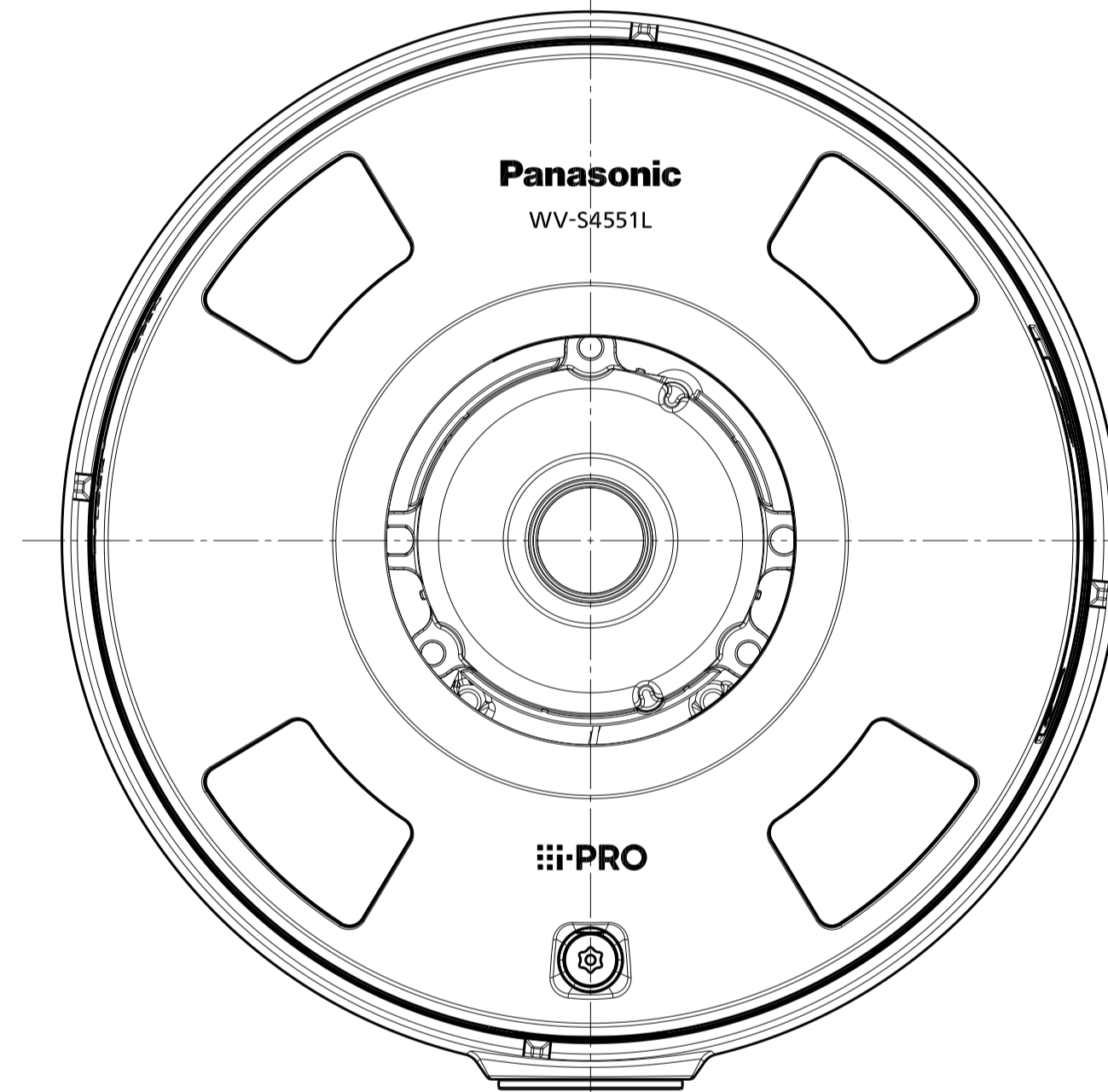
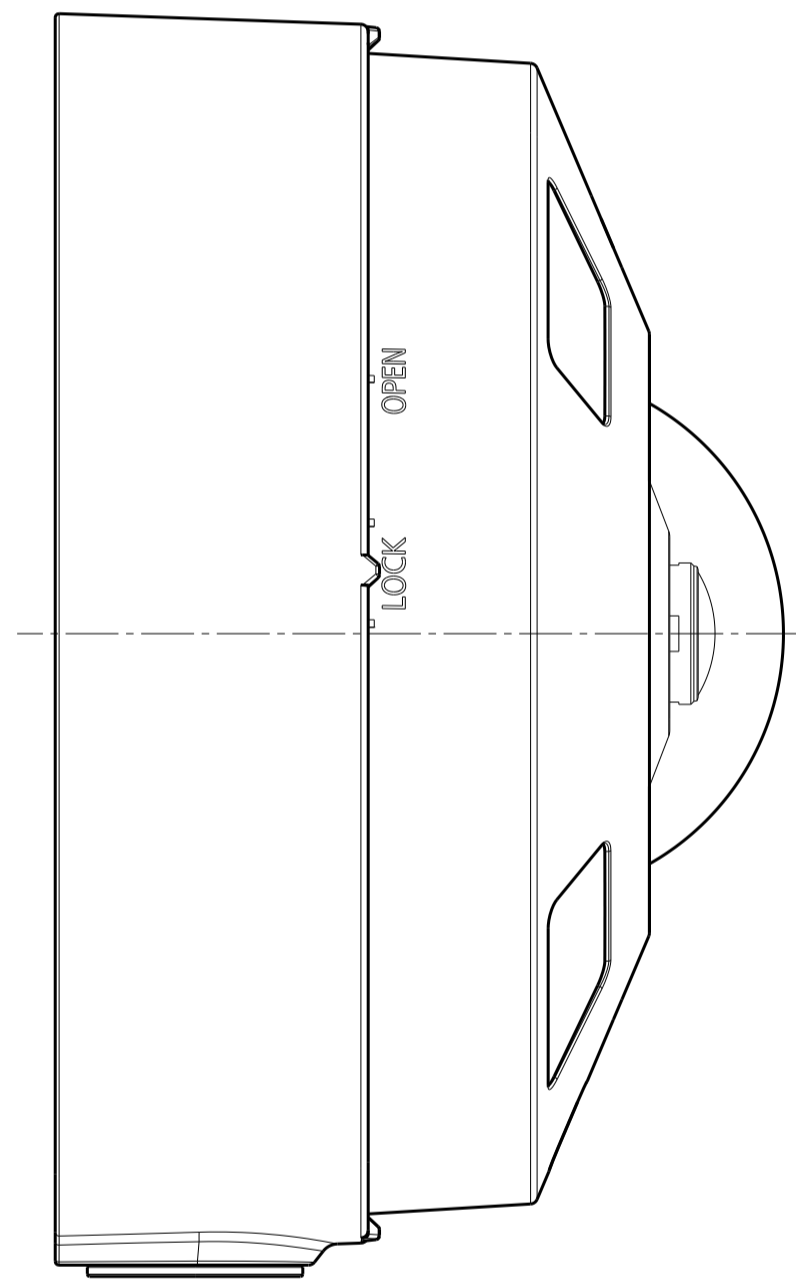
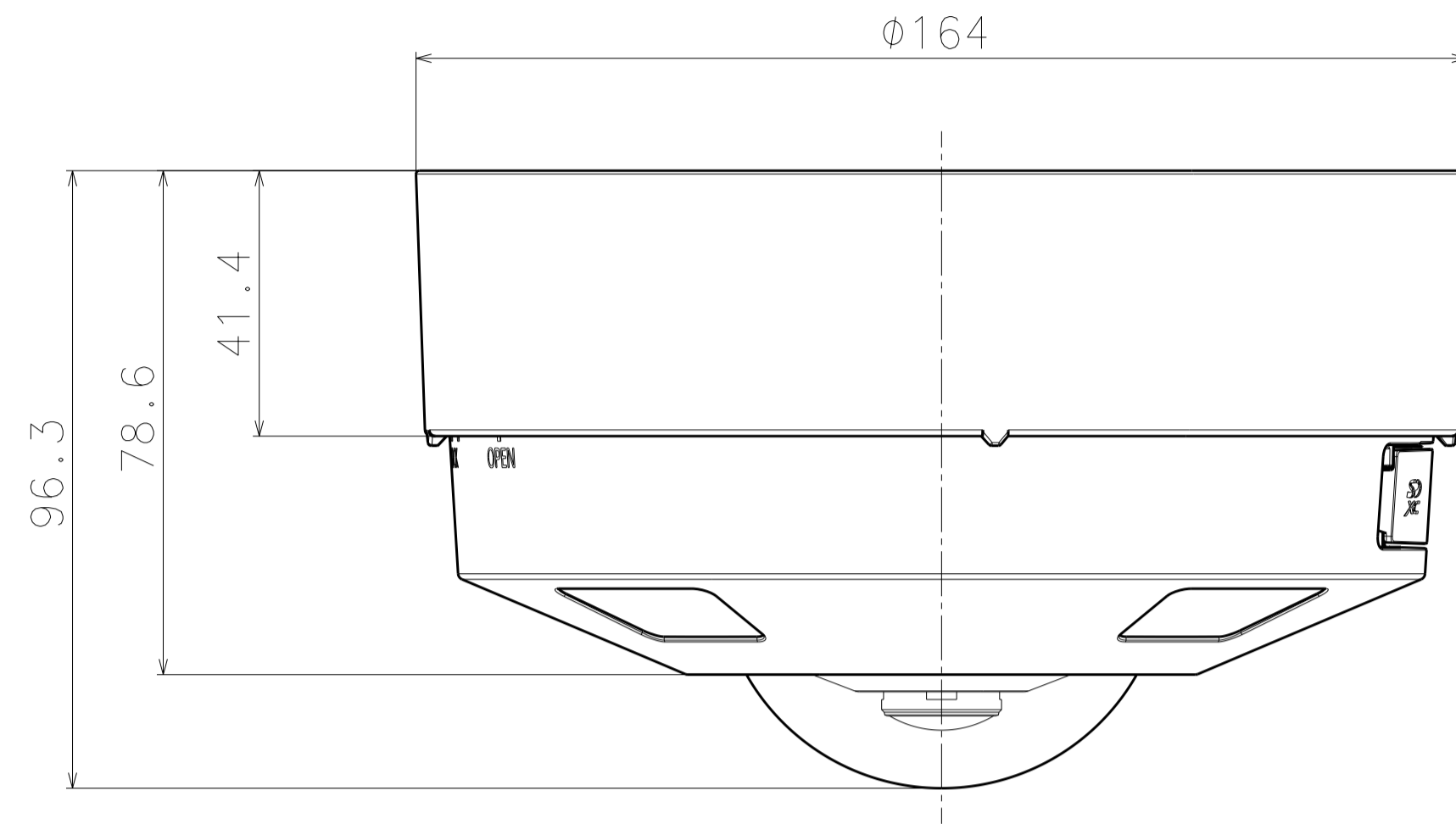


With Attachment Plate

	投影面積/Projected area
側面図/Side-view	0.007 (m <sup>2</sup> )

Weight : Approx. 870 g {1.92 lbs} (When using the attachment plate)

WV-S4551L



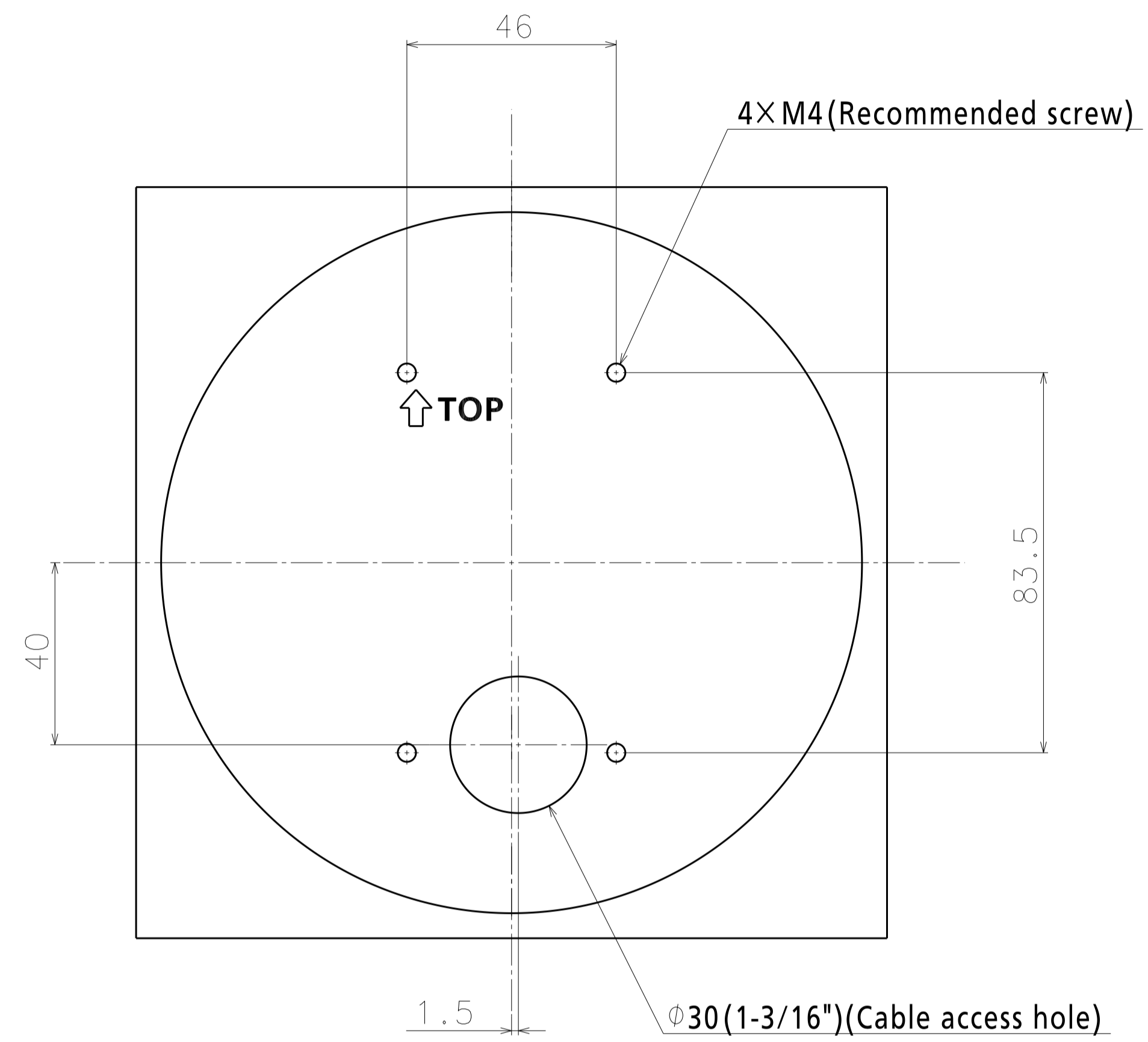
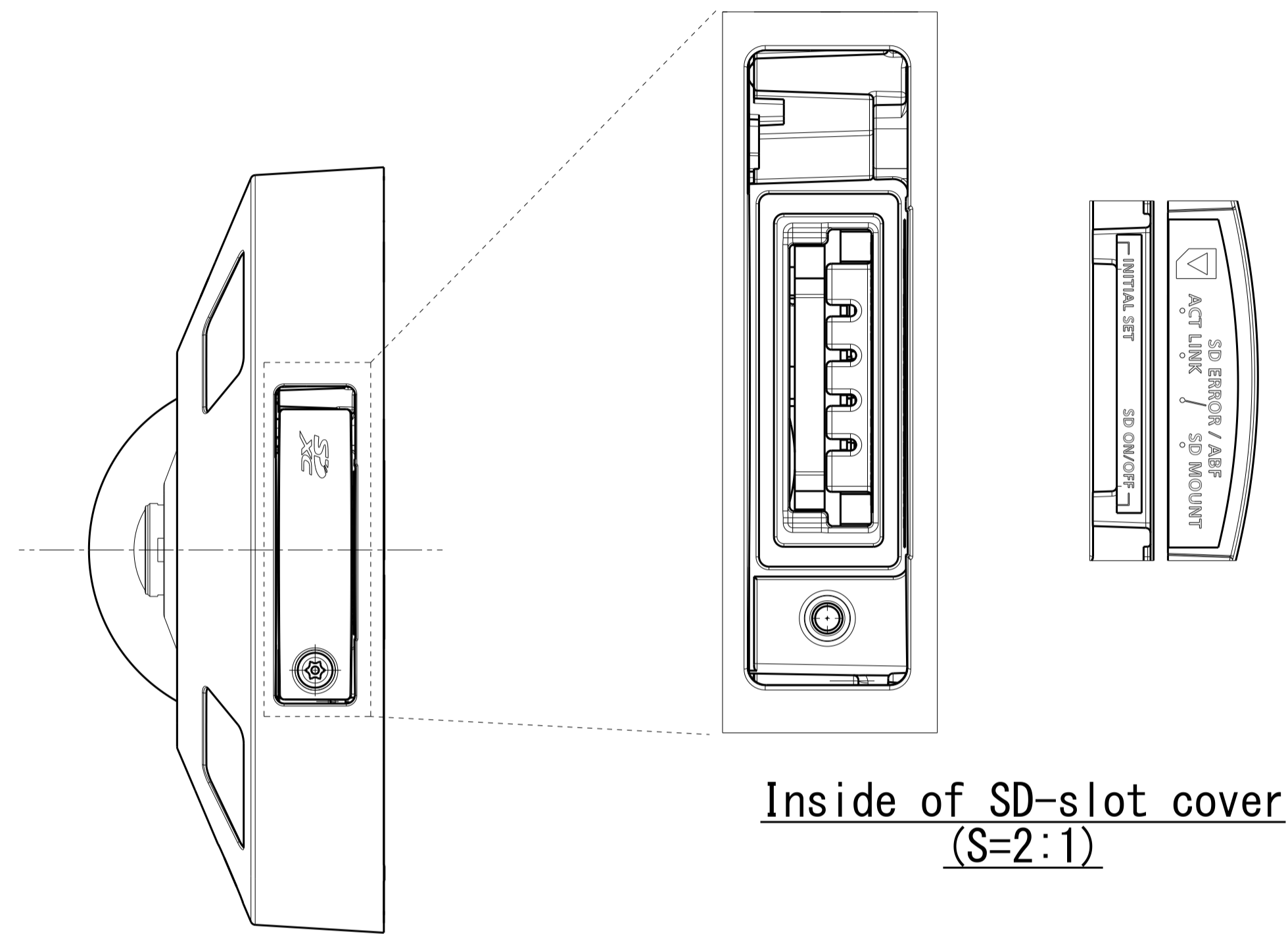
接続管用ねじ  
CTG22 または G3/4  
female thread for conduit  
NPSM3/4 or G3/4

**With Base bracket**

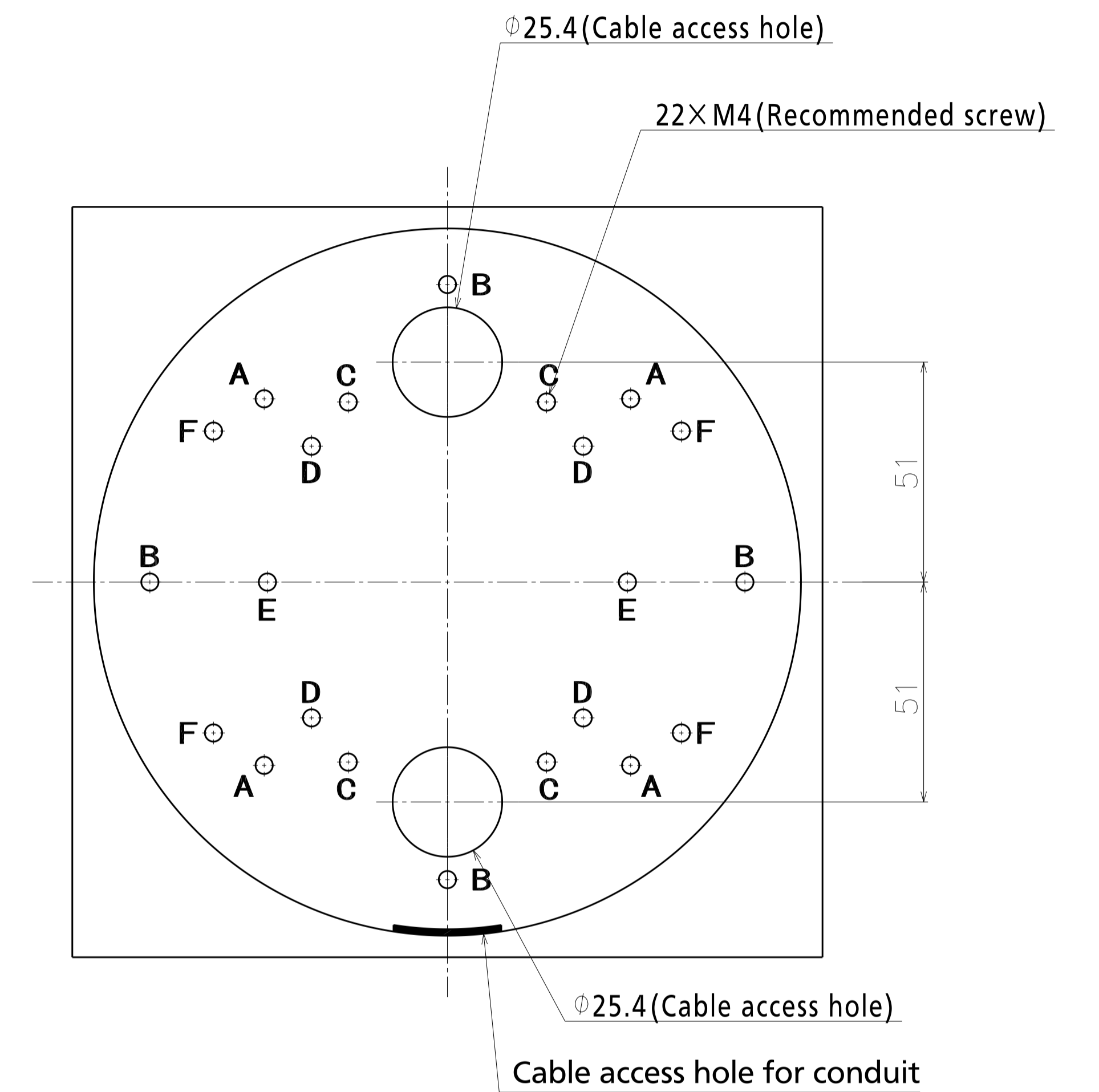
	投影面積/Projected area (With Base Bracket)
側面図/Side-view	0.013(m2)

Weight : Approx. 1.3 kg {2.87 lbs} (When using the mounting base bracket)

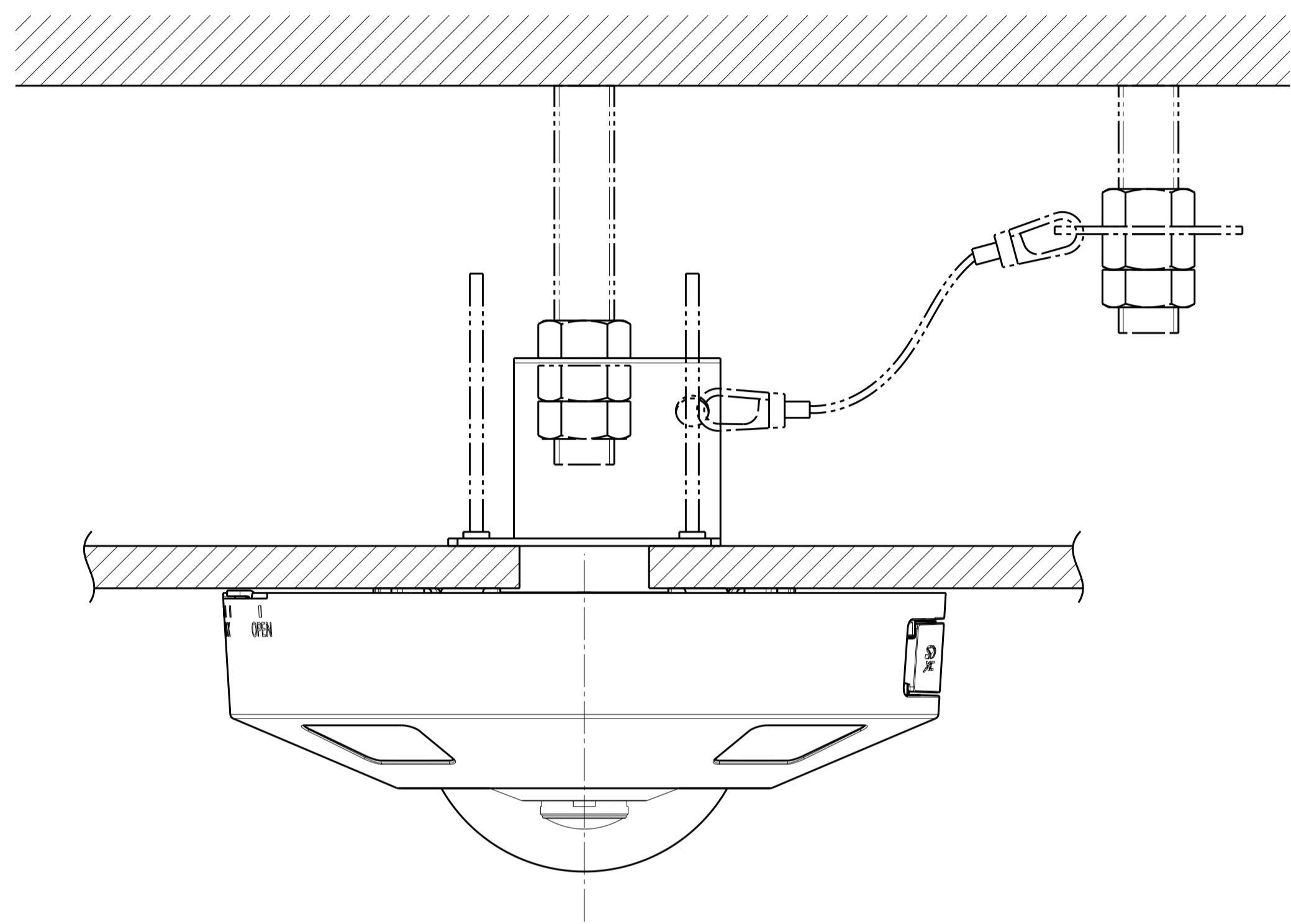
WV-S4551L



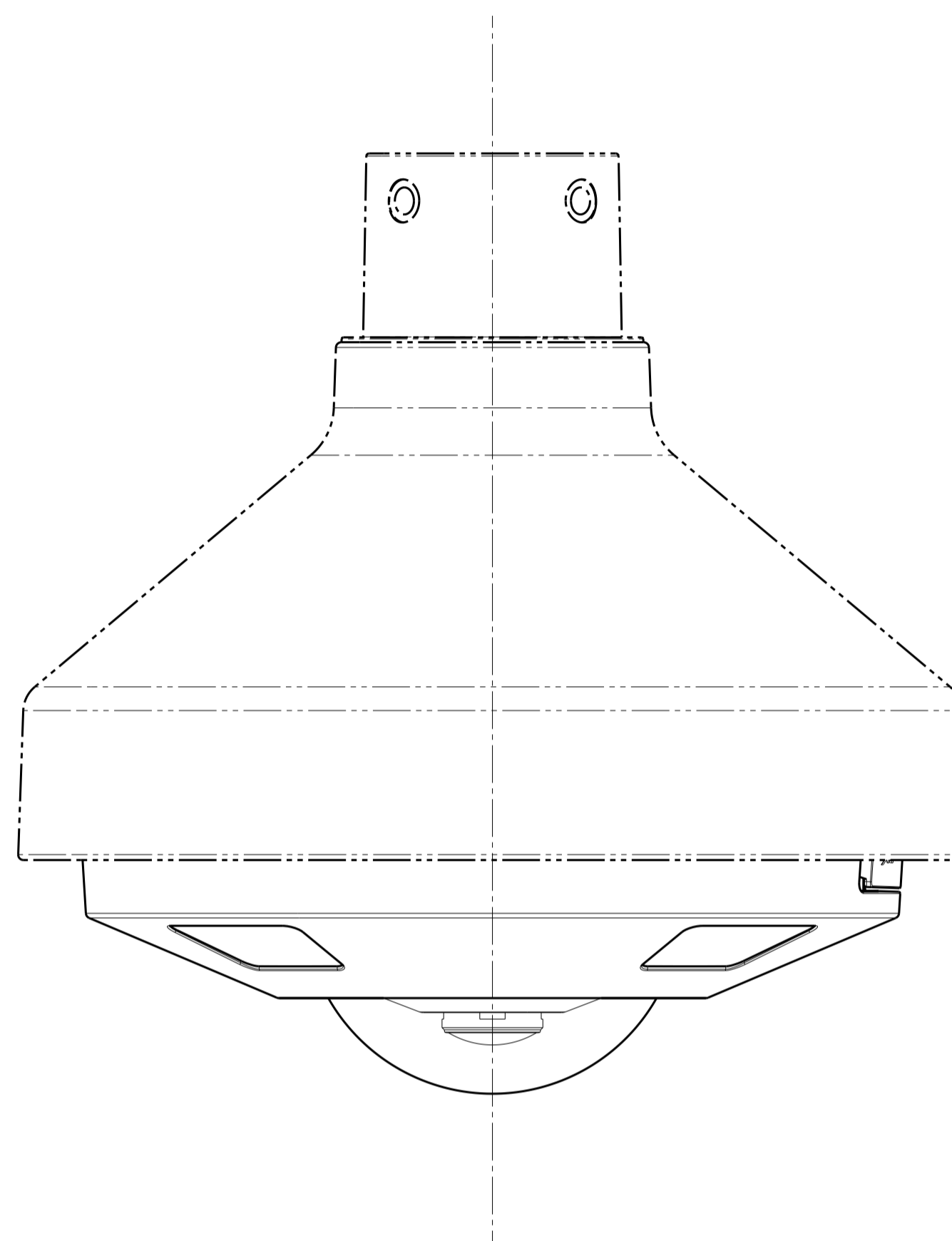
Template for mounting



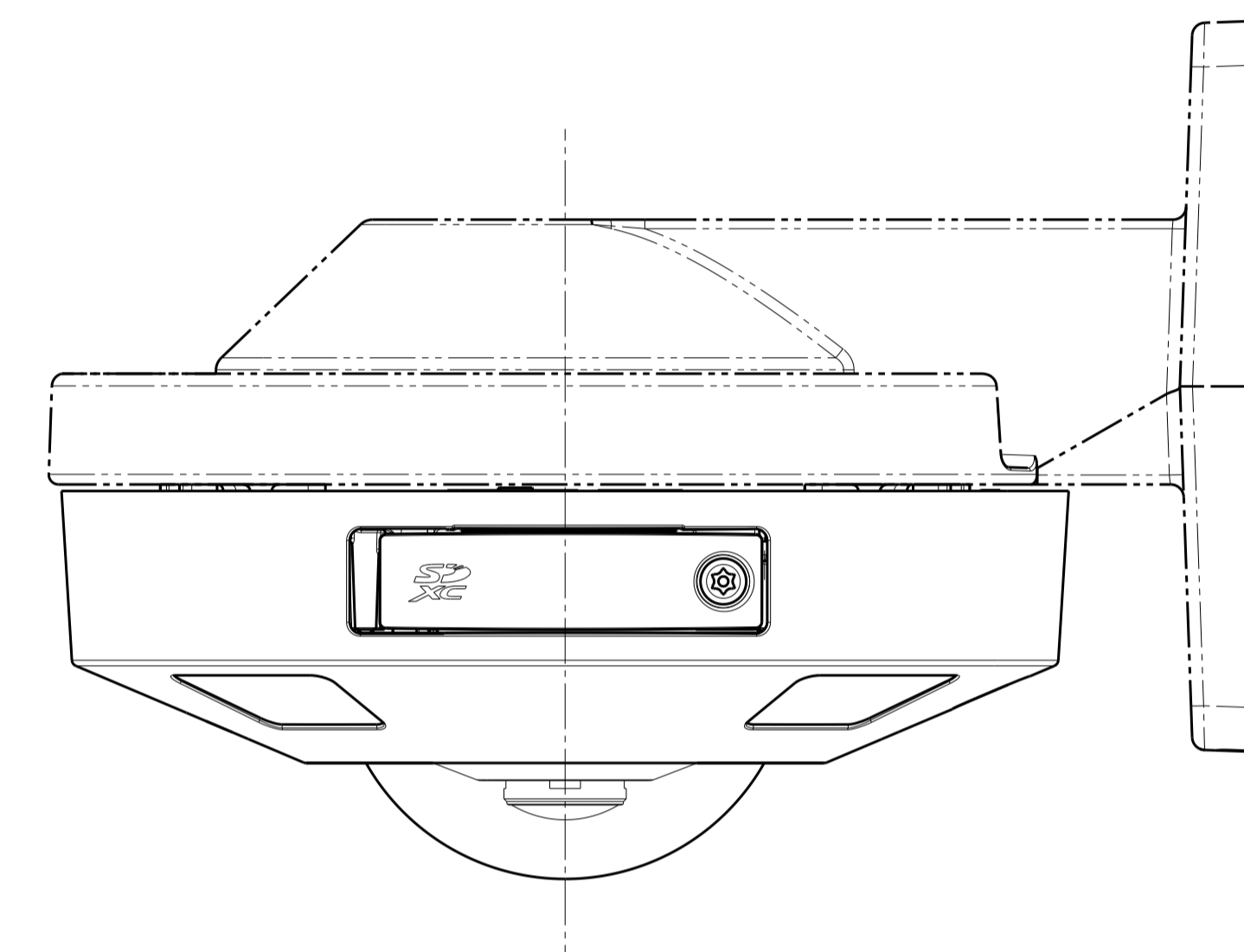
Mounting hole layout



Attach to WV-Q105A



Attach to WV-QSR501-W



Attach to WV-QWL500-W