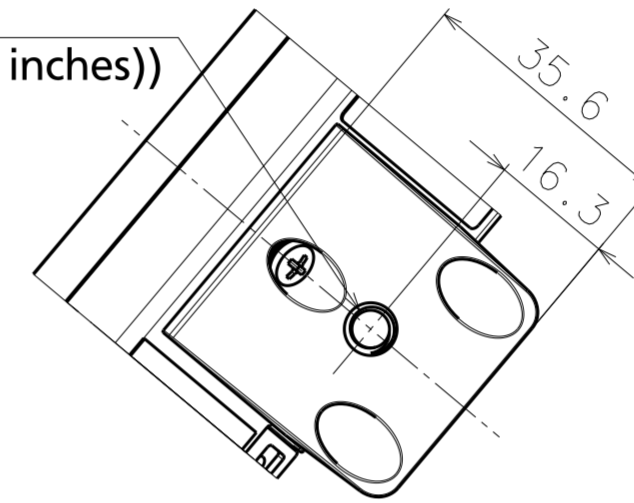
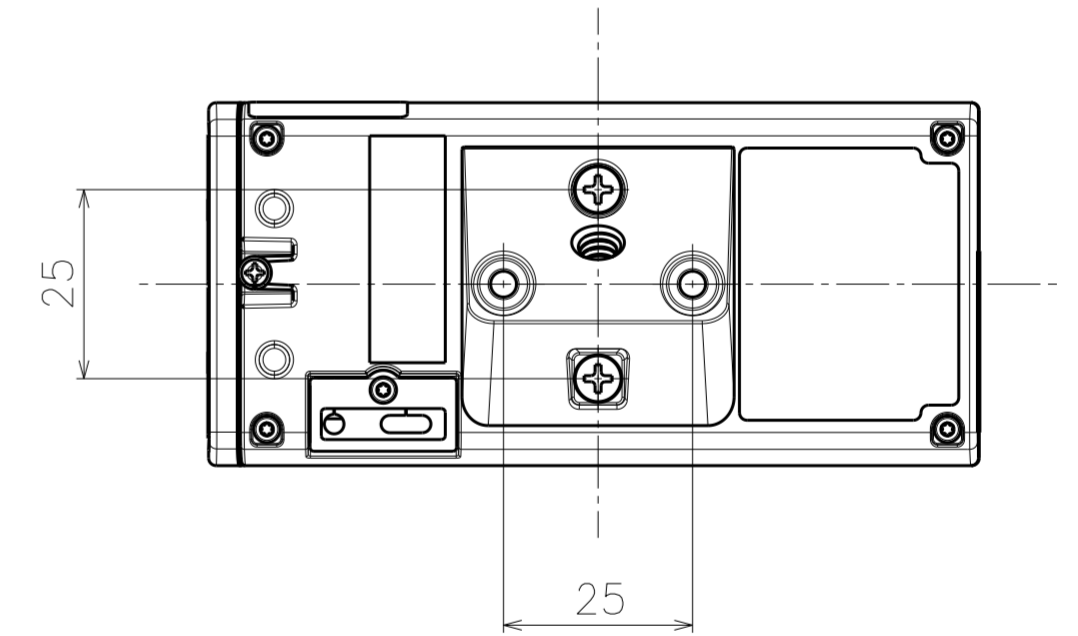
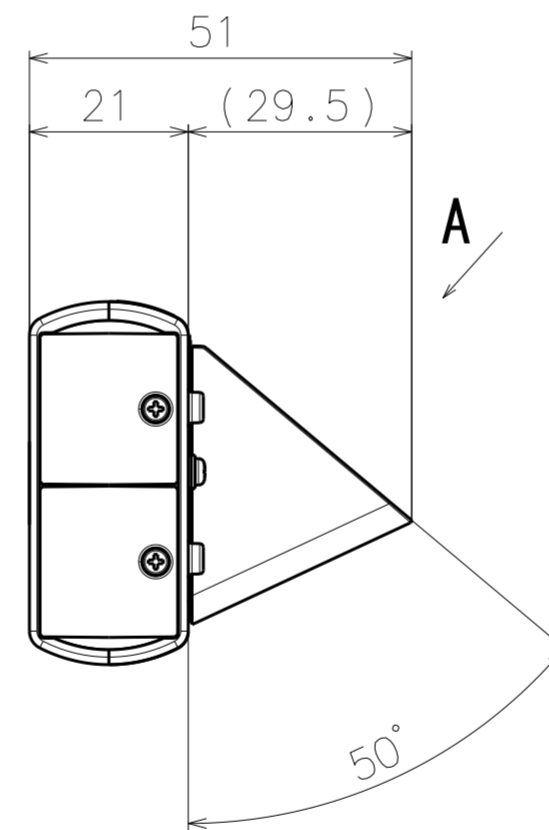


1/4-20UNC
(Depth 5.5 mm (7/32 inches))

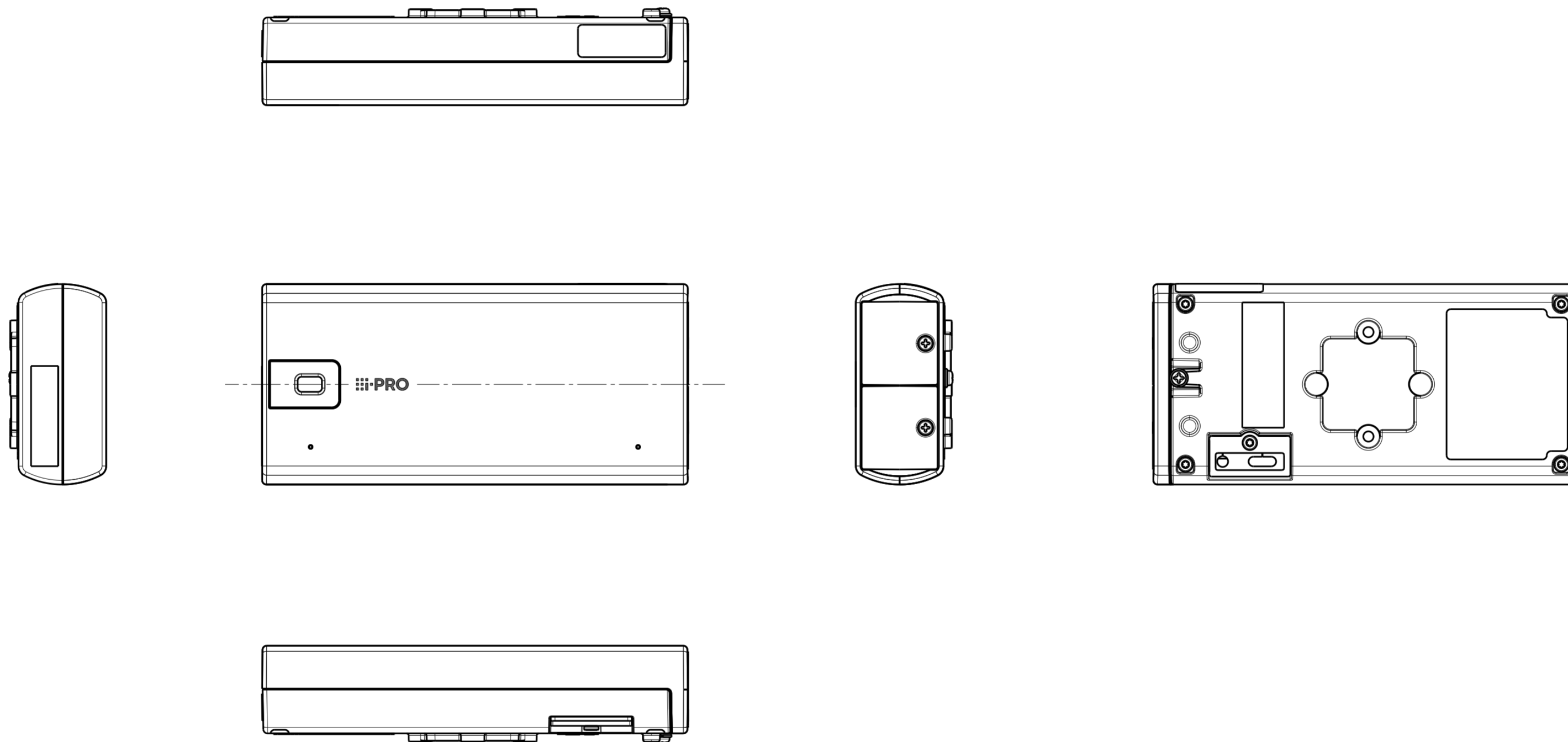


View A



Model number
WV-S7130UX
WV-B71300-F3
WV-S71300-F3

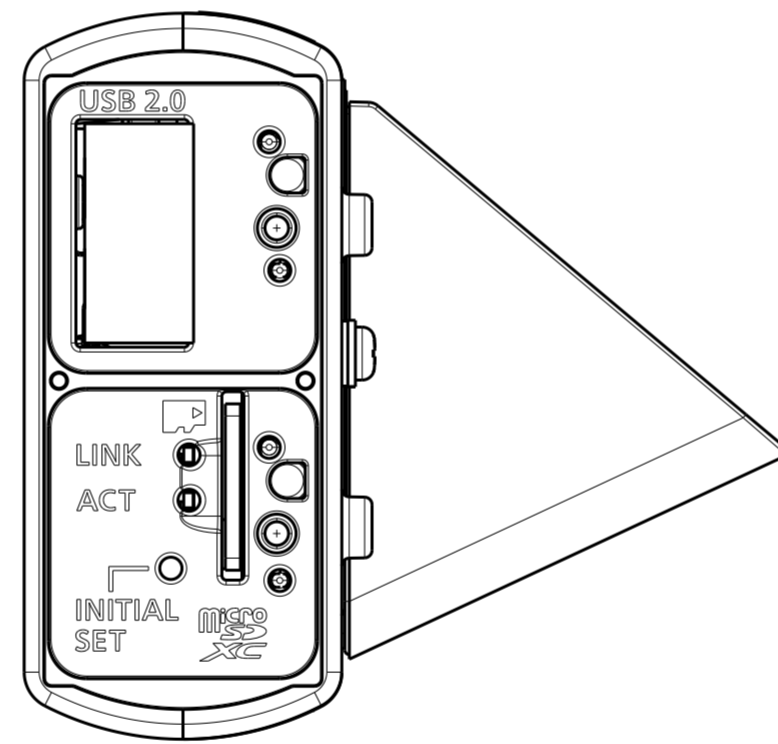
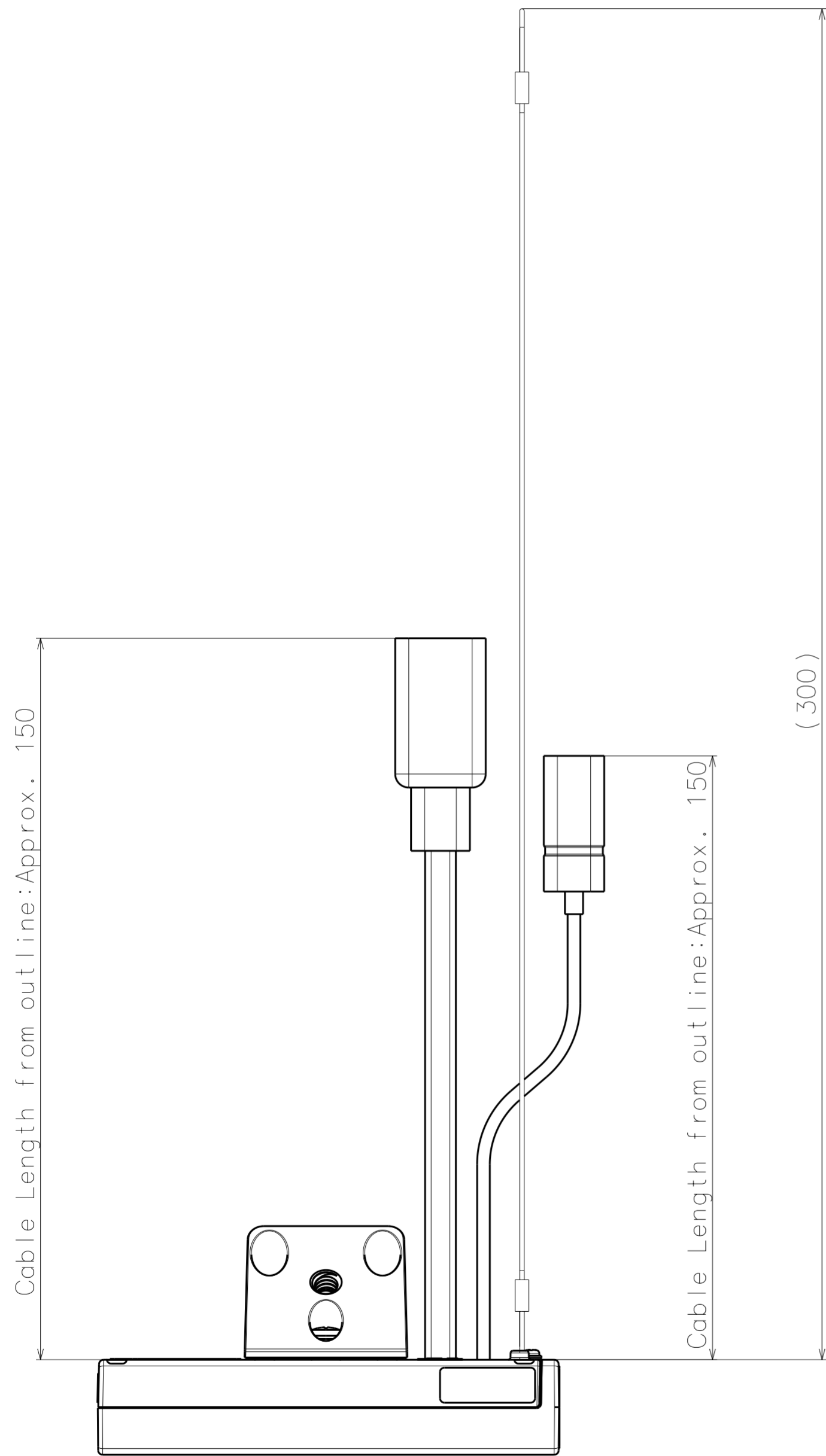
Mass : Approx. 185 g {0.41 lbs}



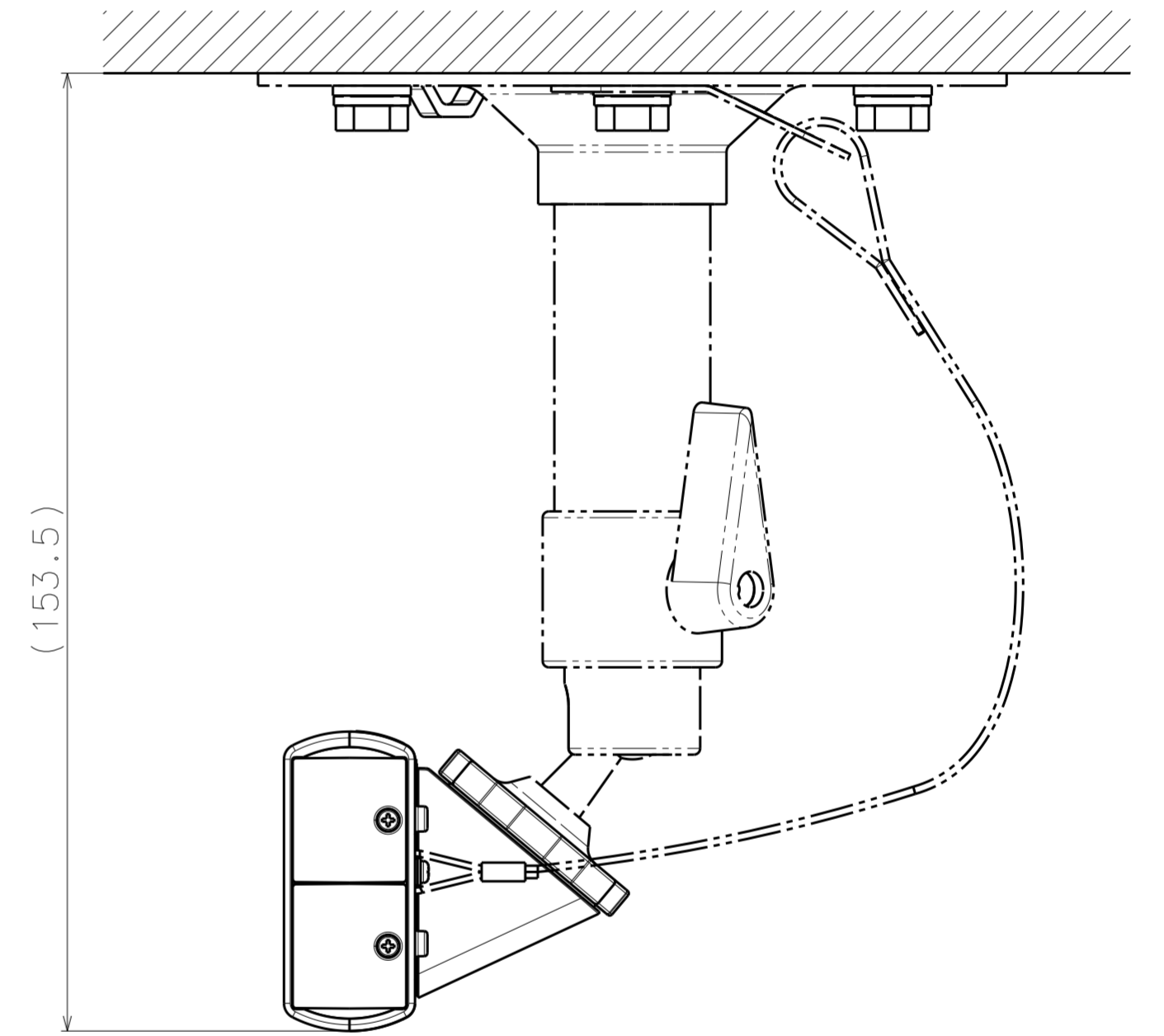
Without Mount base

Model number
WV-S7130UX
WV-B71300-F3
WV-S71300-F3

Mass : Approx. 157 g {0.35 lbs} (Without Mount base)

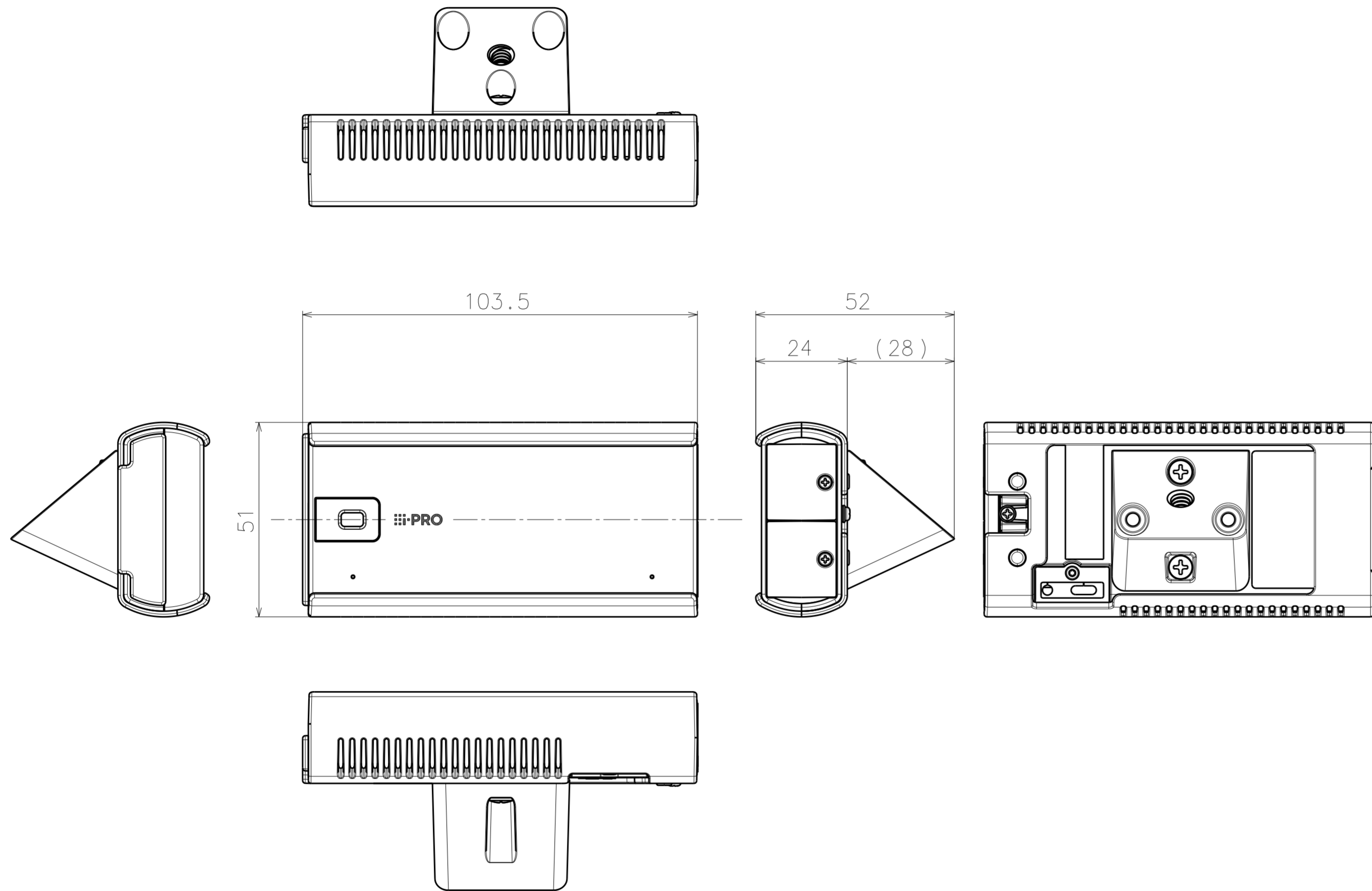


Inside of side cover
(S=2:1)

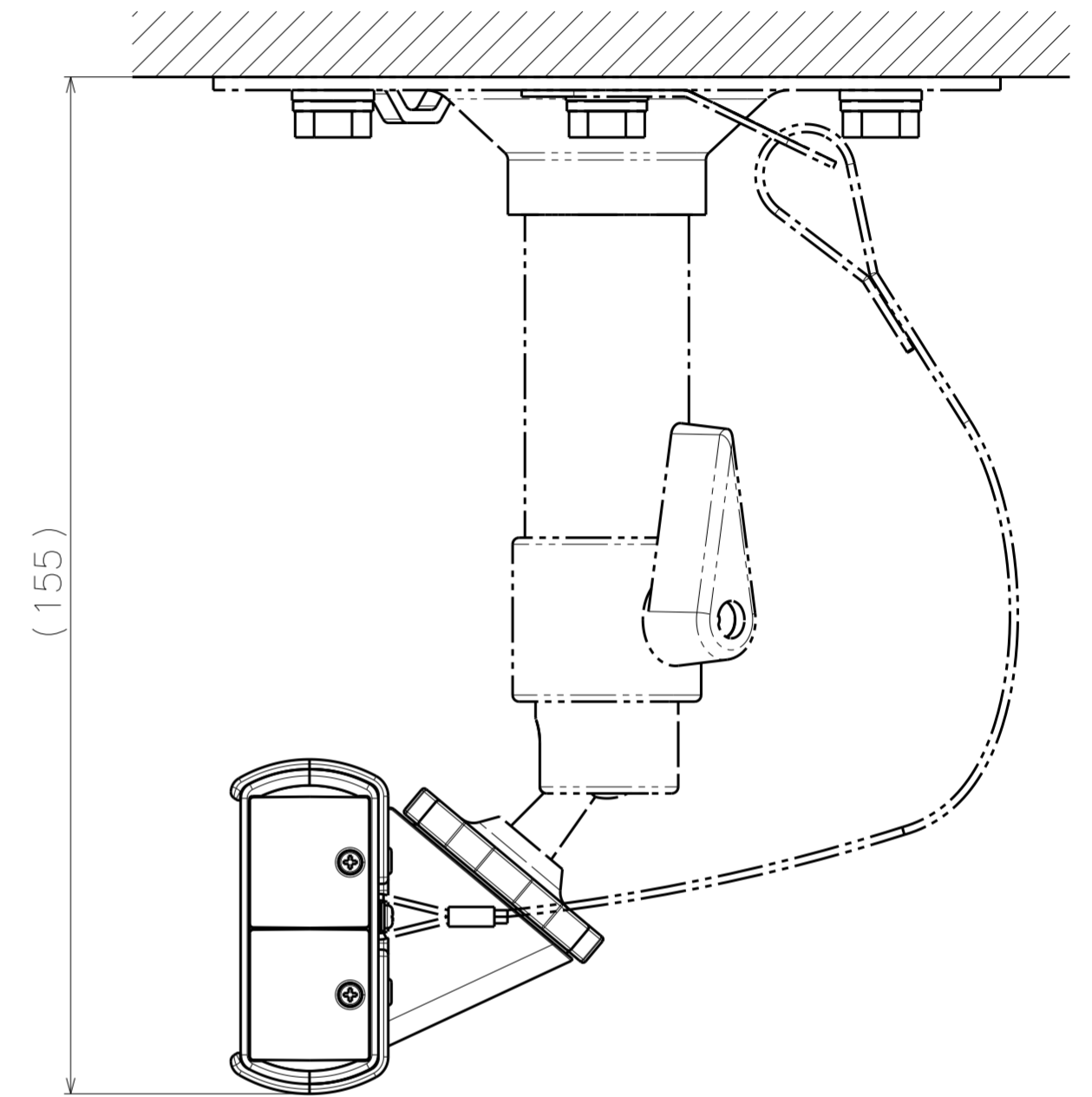


Attach to WV-Q180UX

Model number
 WV-S7130UX
 WV-B71300-F3
 WV-S71300-F3



With Protection cover



Attach to WV-Q180UX

Model number
 WV-S7130UX
 WV-B71300-F3
 WV-S71300-F3

Mass : Approx. 197 g {0.43 lbs}
 Approx. 169 g {0.37 lbs} (Without Mount base)