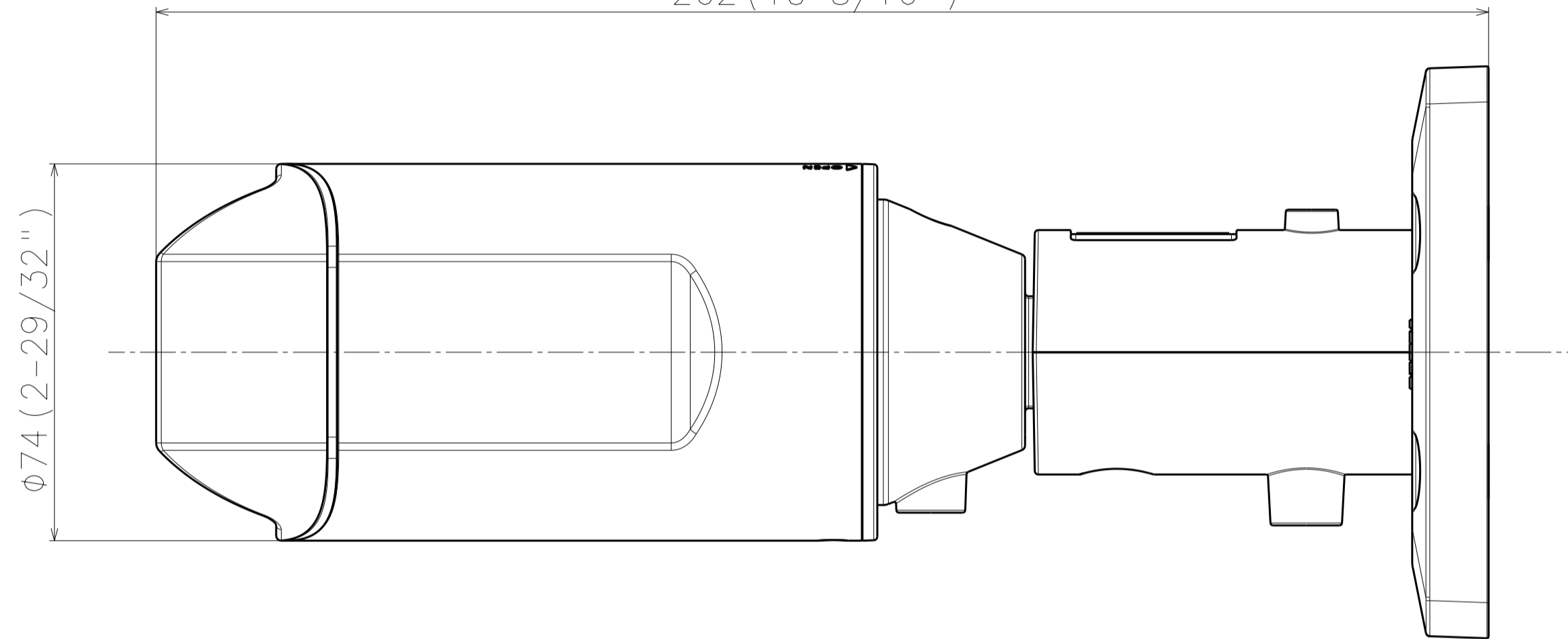
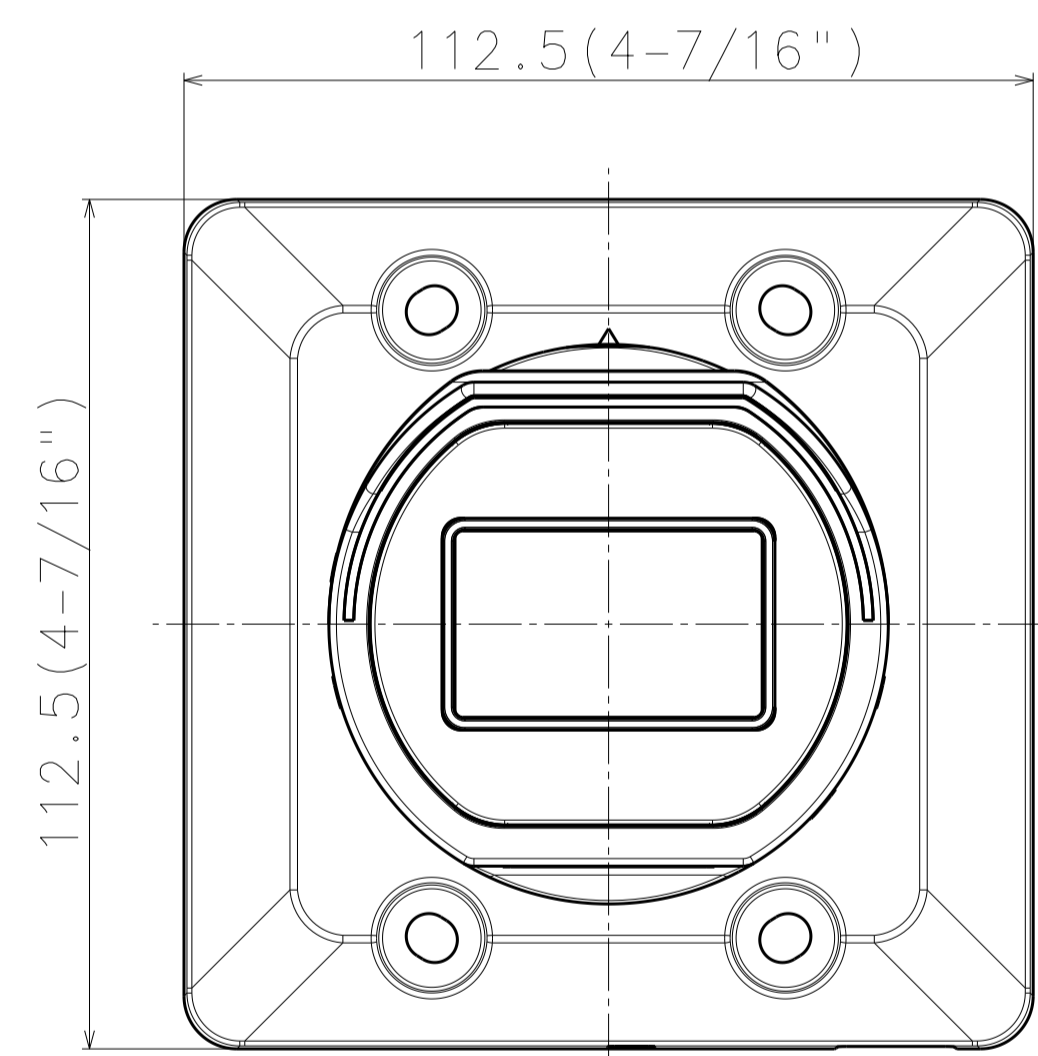


262 (10-5/16")

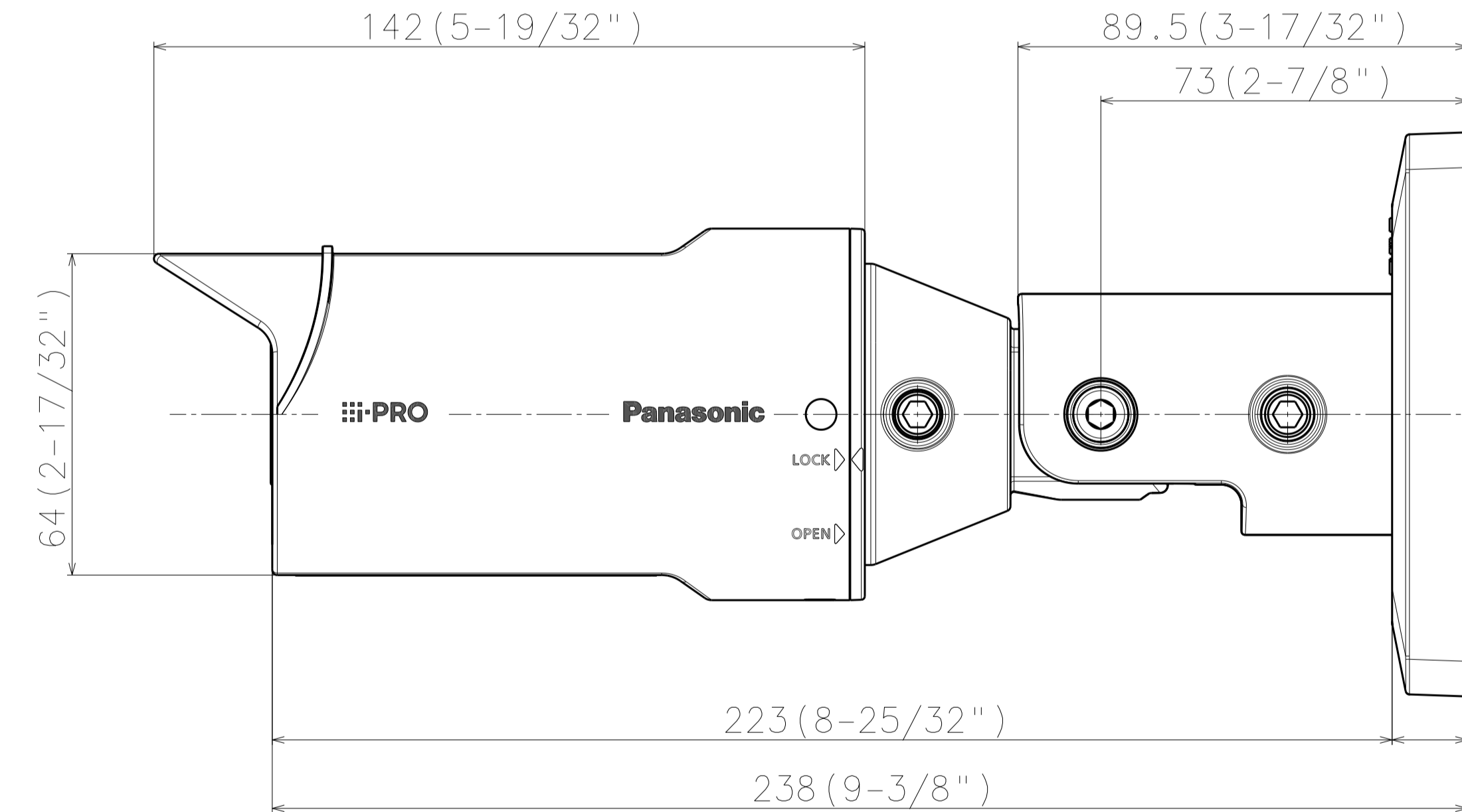


φ74 (2-29/32")



112.5 (4-7/16")

112.5 (4-7/16")



142 (5-19/32")

89.5 (3-17/32")

73 (2-7/8")

Cable Length from outline: Approx. 230 (9-1/16")

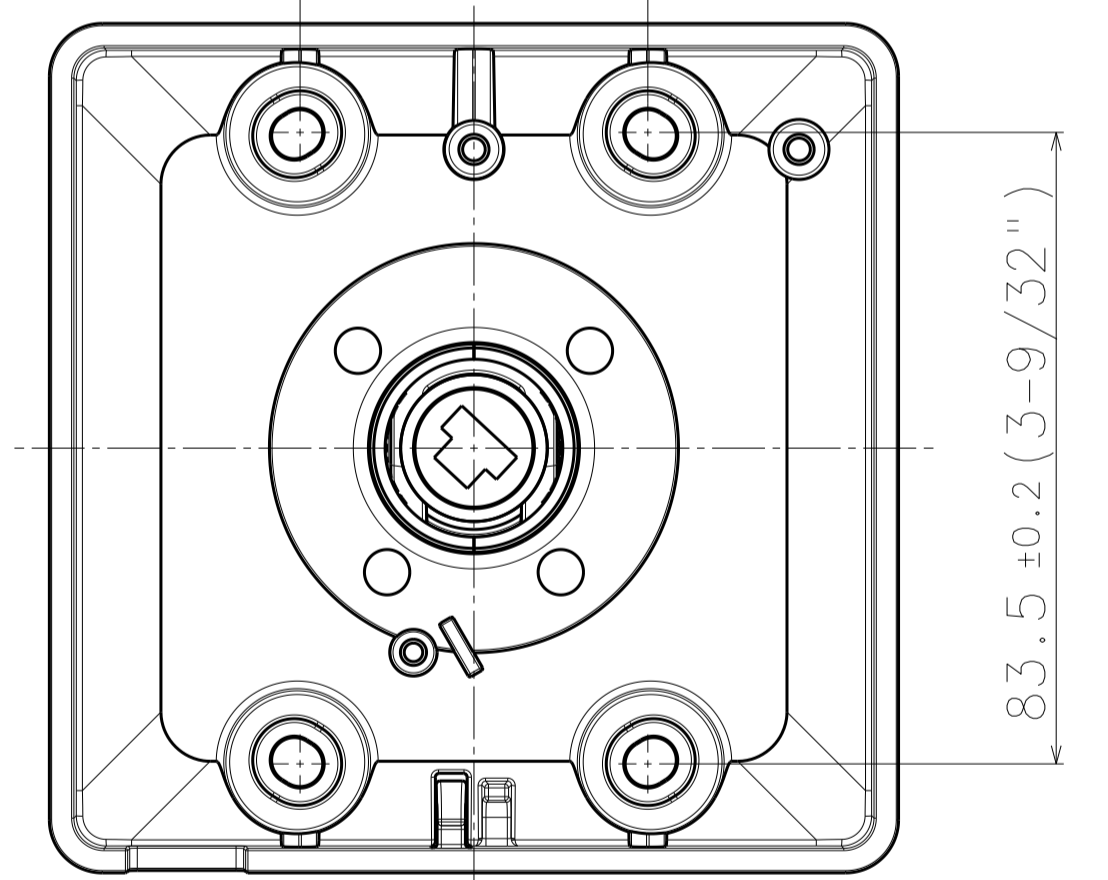
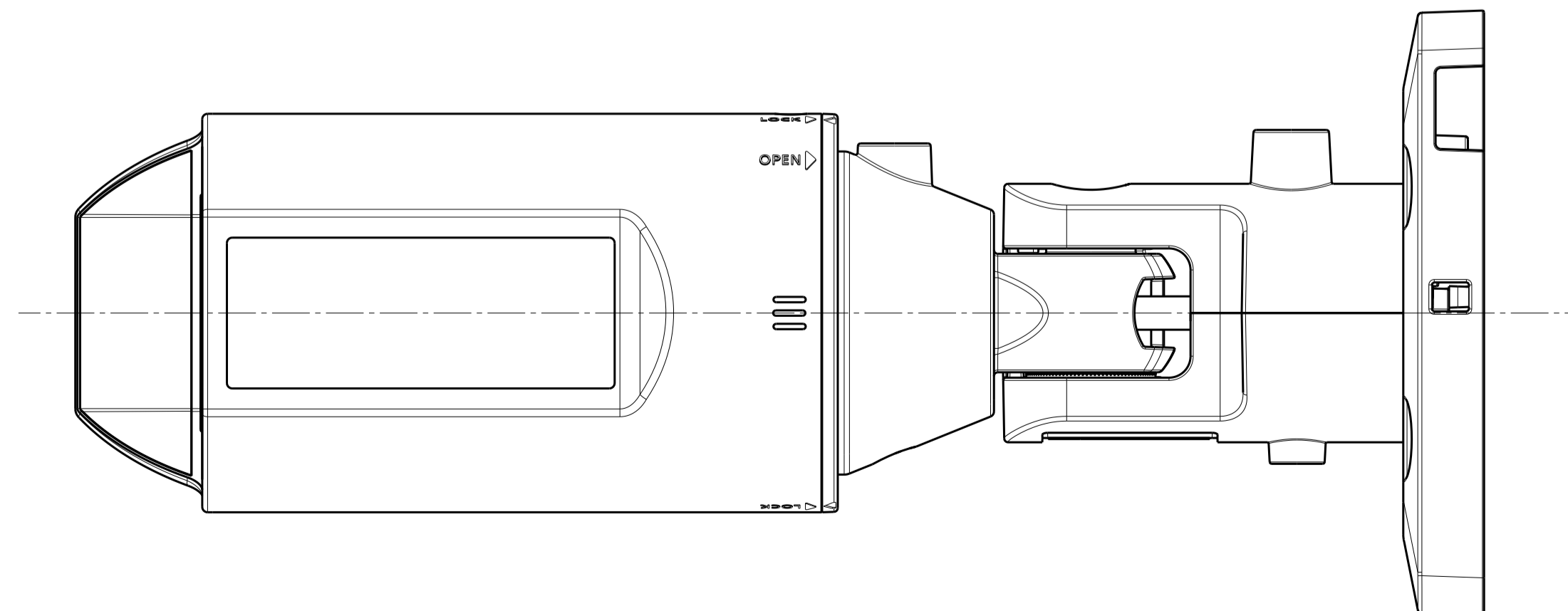
46 ±0.2 (1-13/16")

64 (2-17/32")

223 (8-25/32")

(15 (19/32"))

238 (9-3/8")

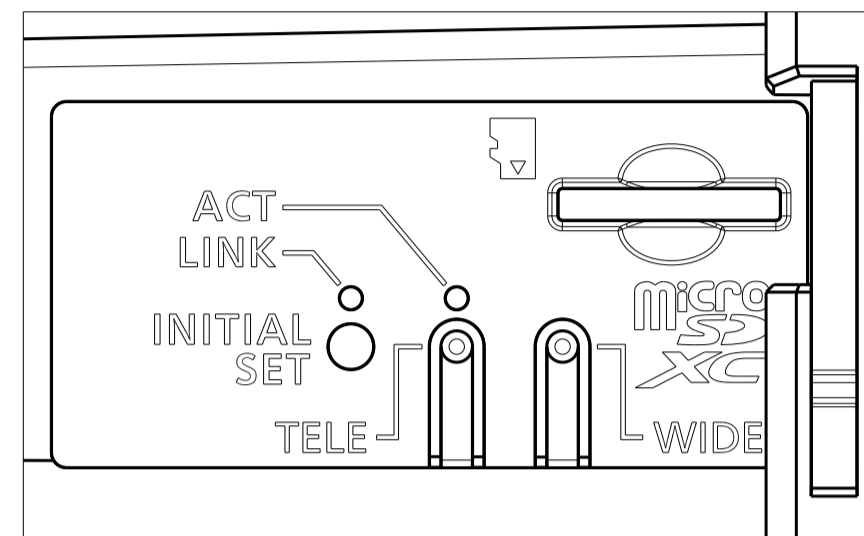


83.5 ±0.2 (3-9/32")

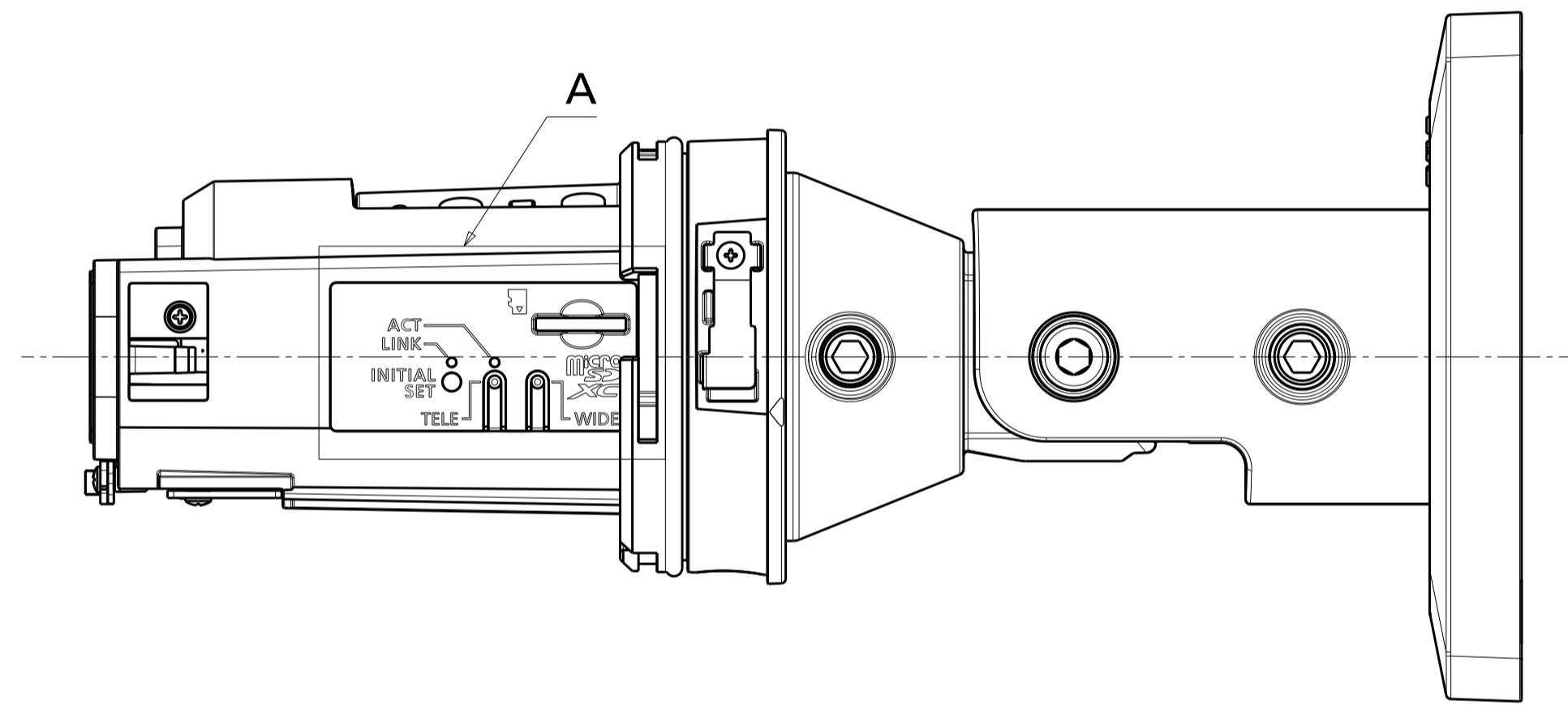
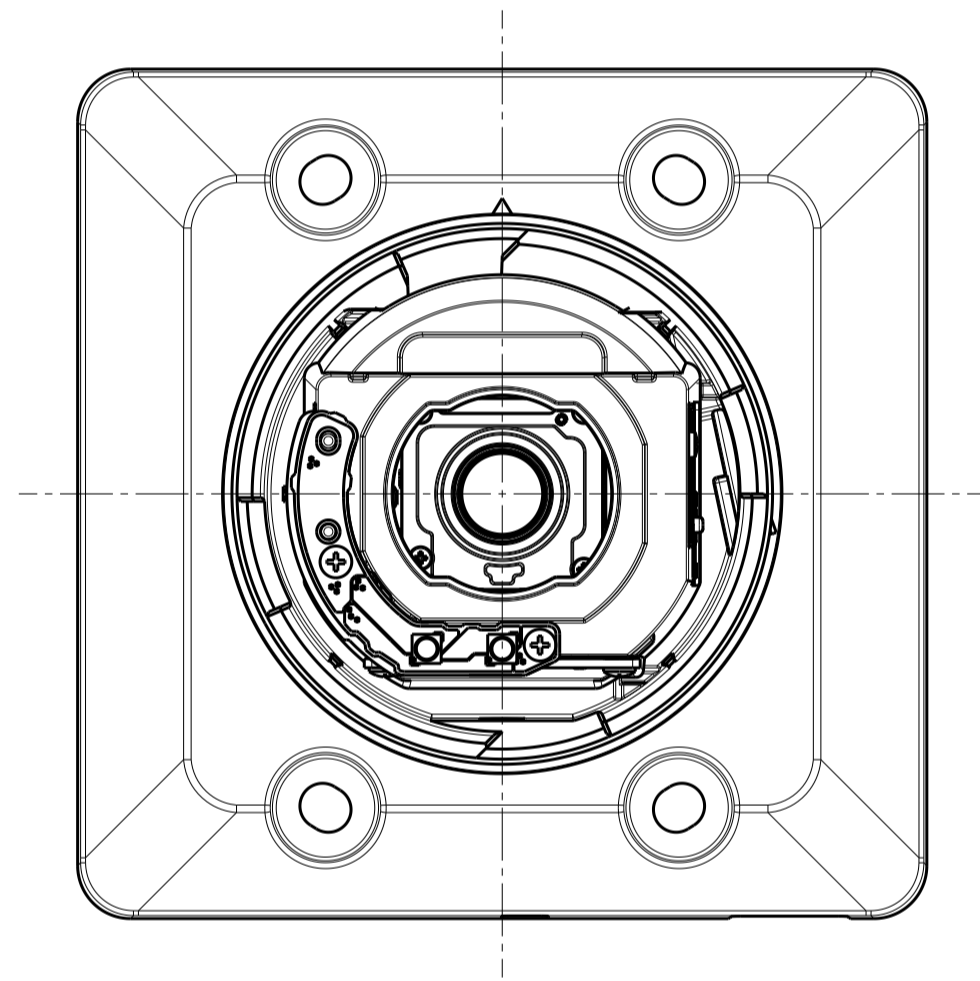
	投影面積/Projected area
正面図/Front view	0.014 (m ²)
平面図/Top-view	0.017 (m ²)

Mass : Approx. 860 g {1.90 lbs}

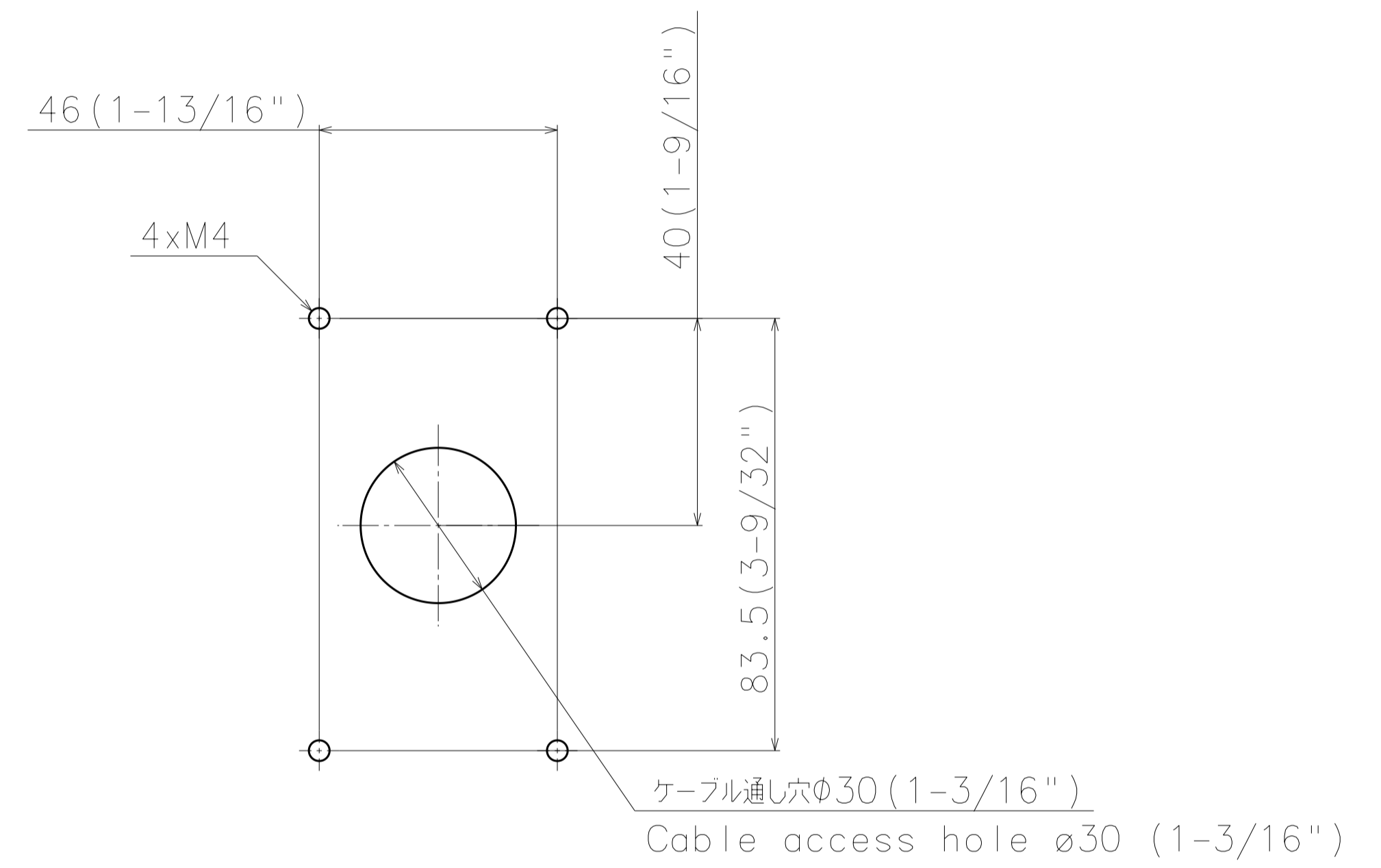
WV-U1542LA



Detail A (2:1)

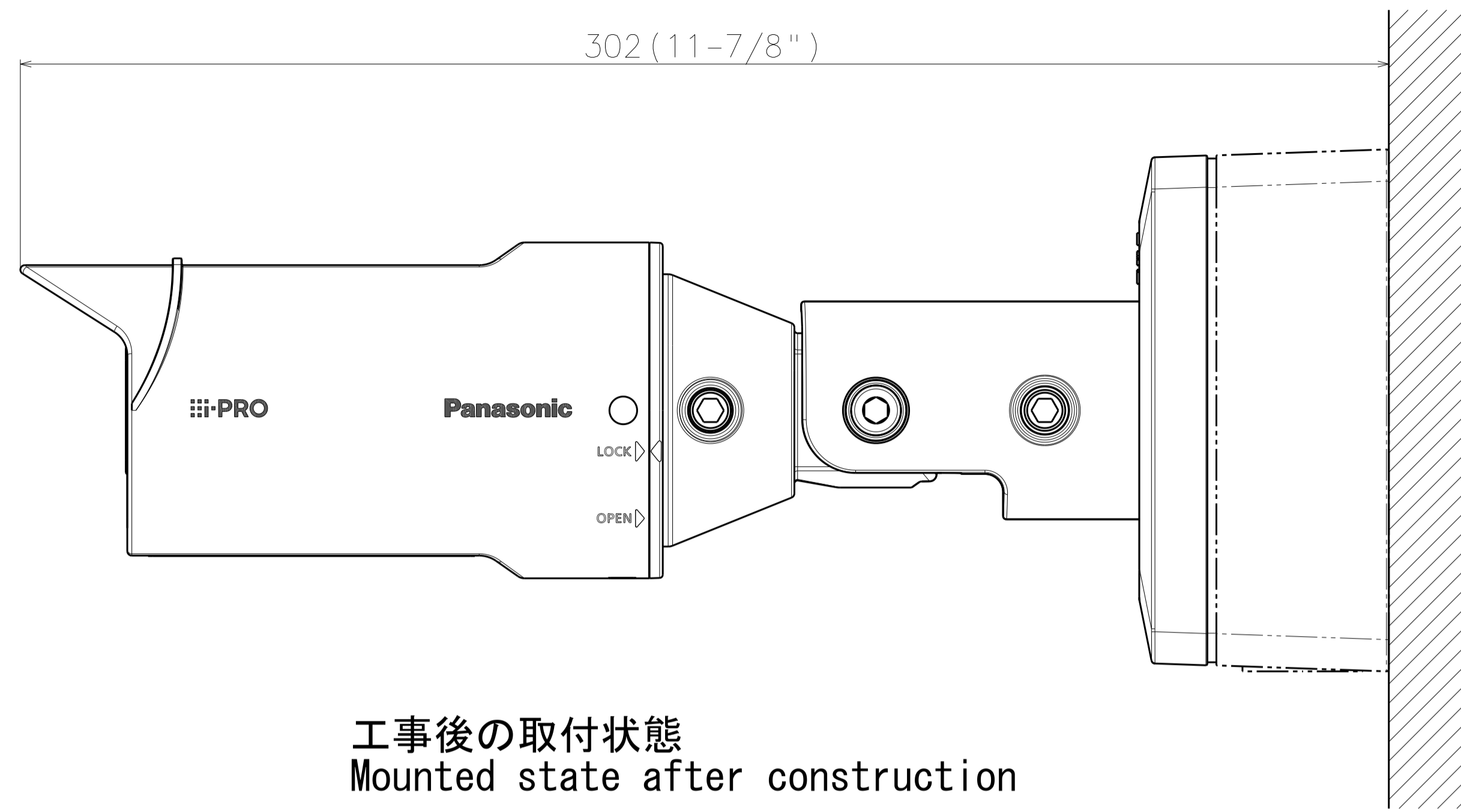


Without Enclosure



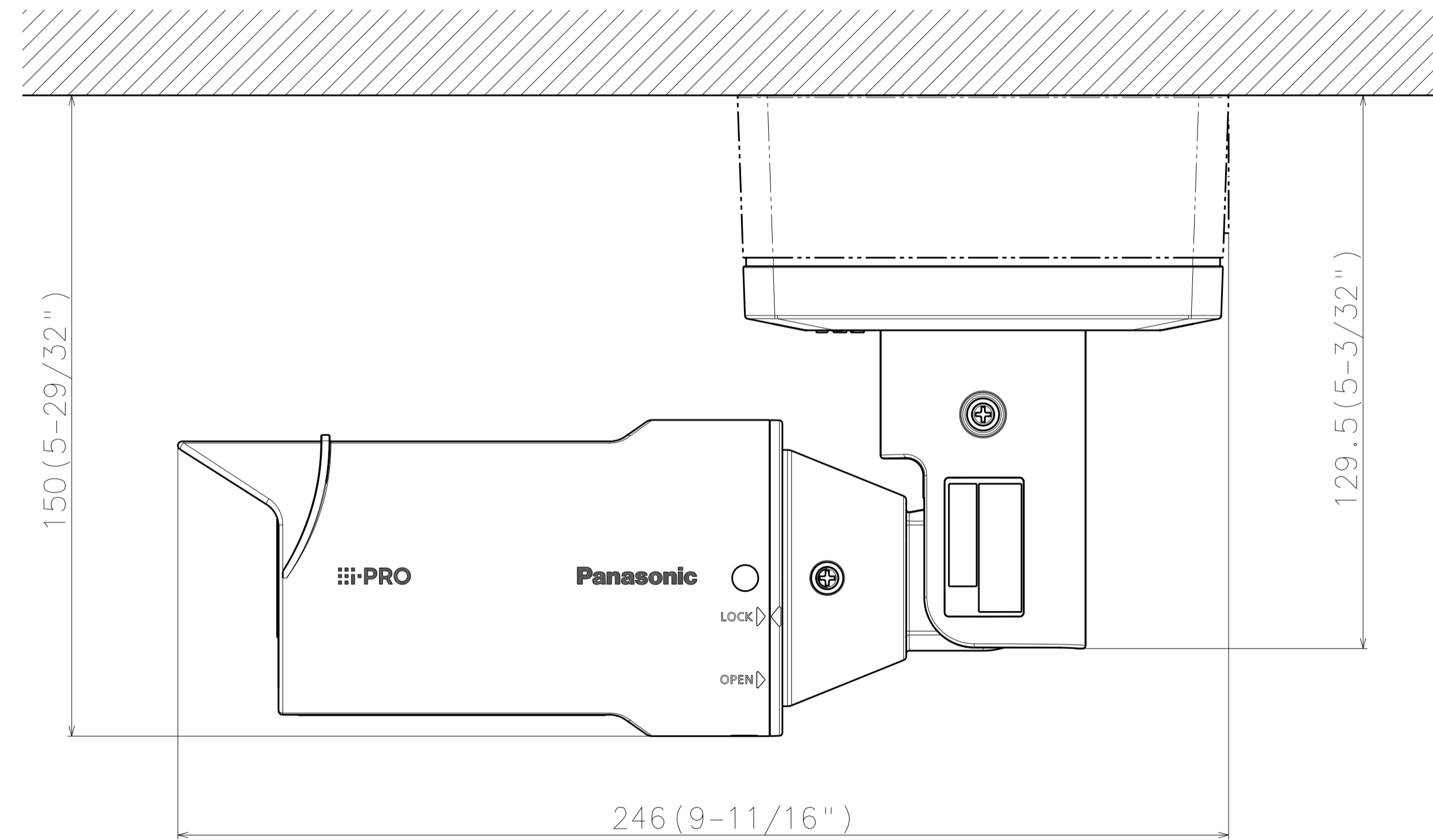
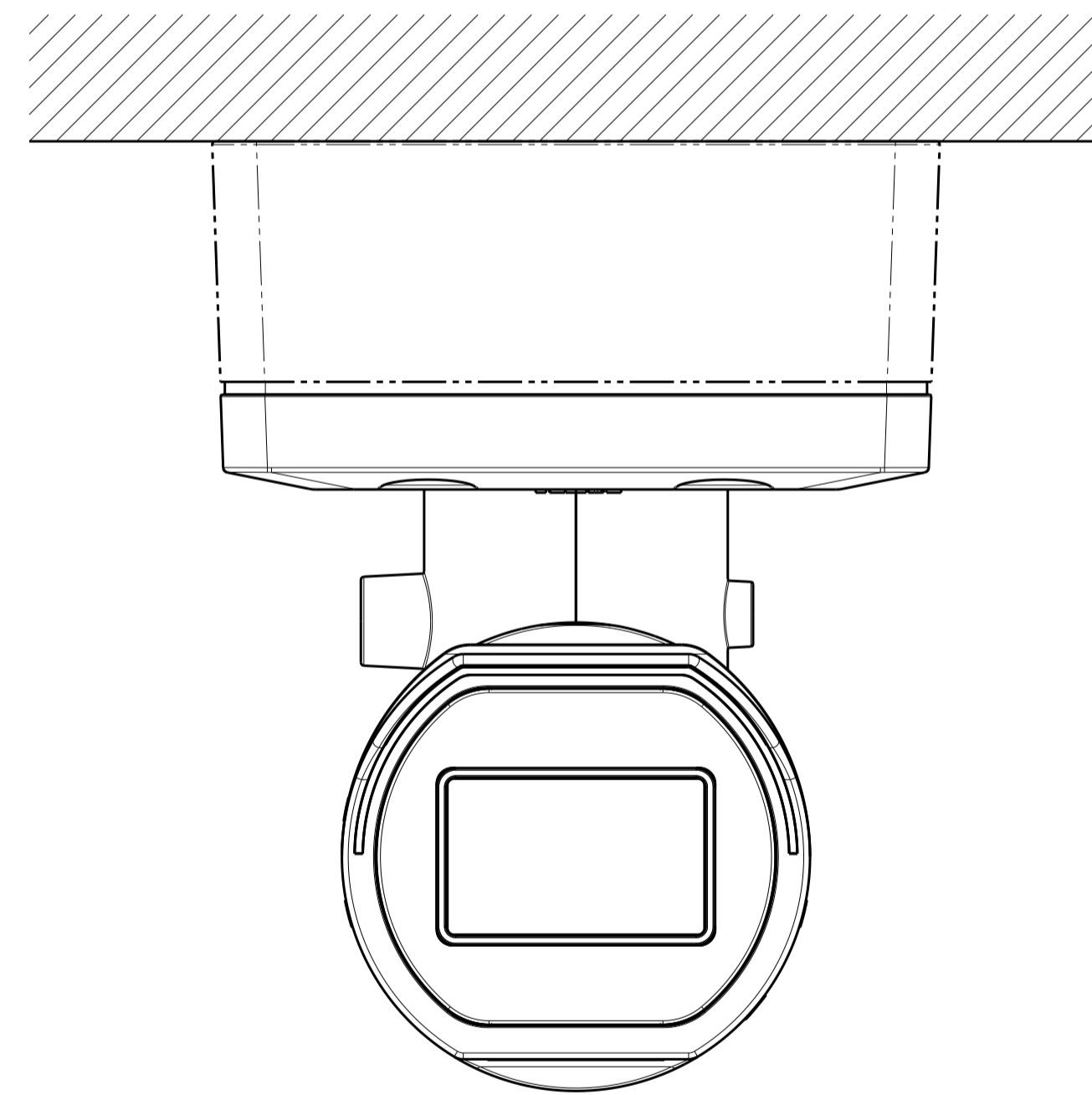
カメラ取り付け位置
Camera mounting position

Attach to WV-QJB500-W



工事後の取付状態
Mounted state after construction

	投影面積/Projected area
正面図/Front view	0.019 (m2)
平面図/Top-view	0.022 (m2)



工事後の取付状態
Mounted state after construction

	投影面積/Projected area
正面図/Front view	0.019 (m2)
側面図/Side-view	0.012 (m2)

