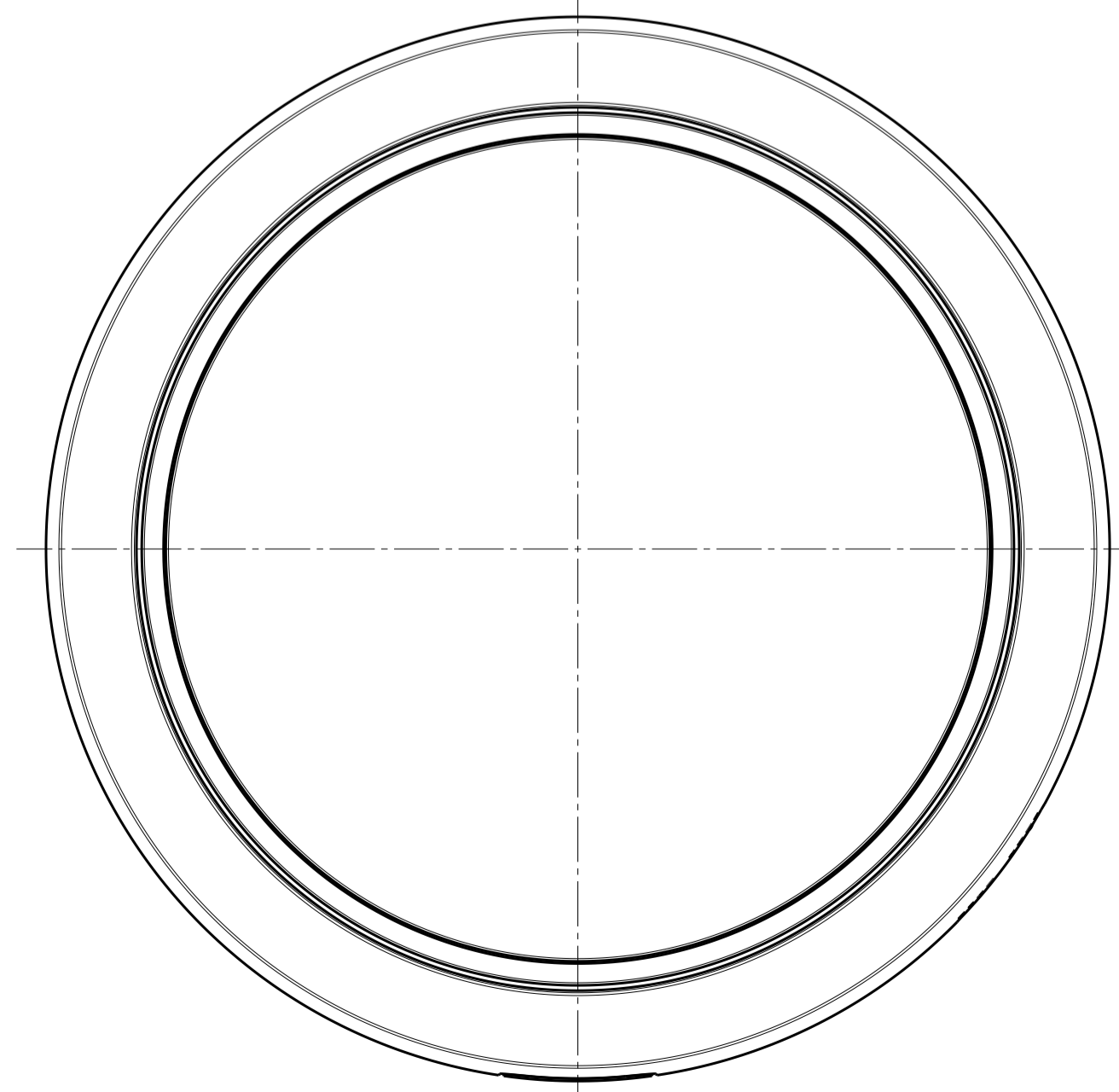
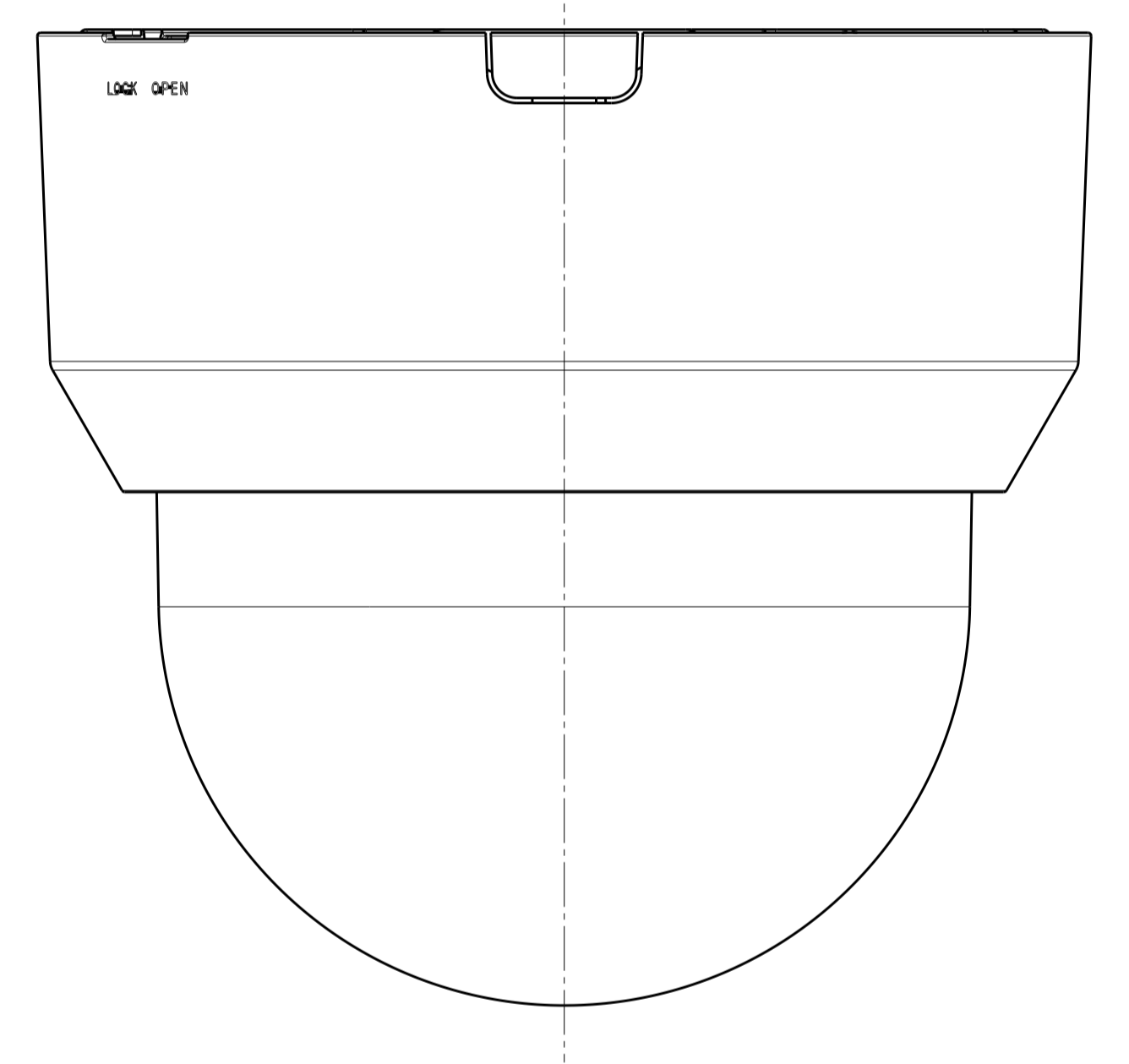
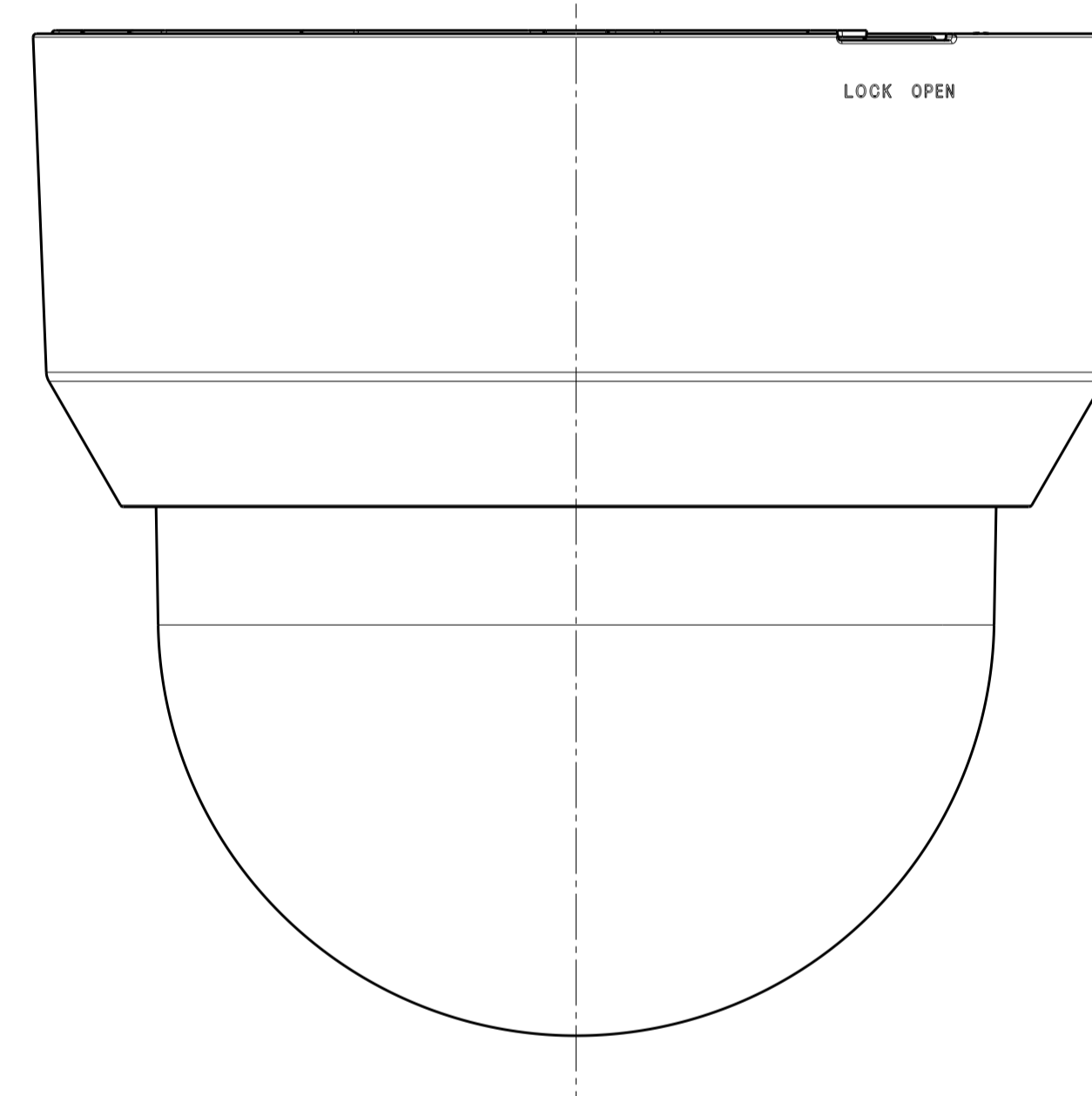
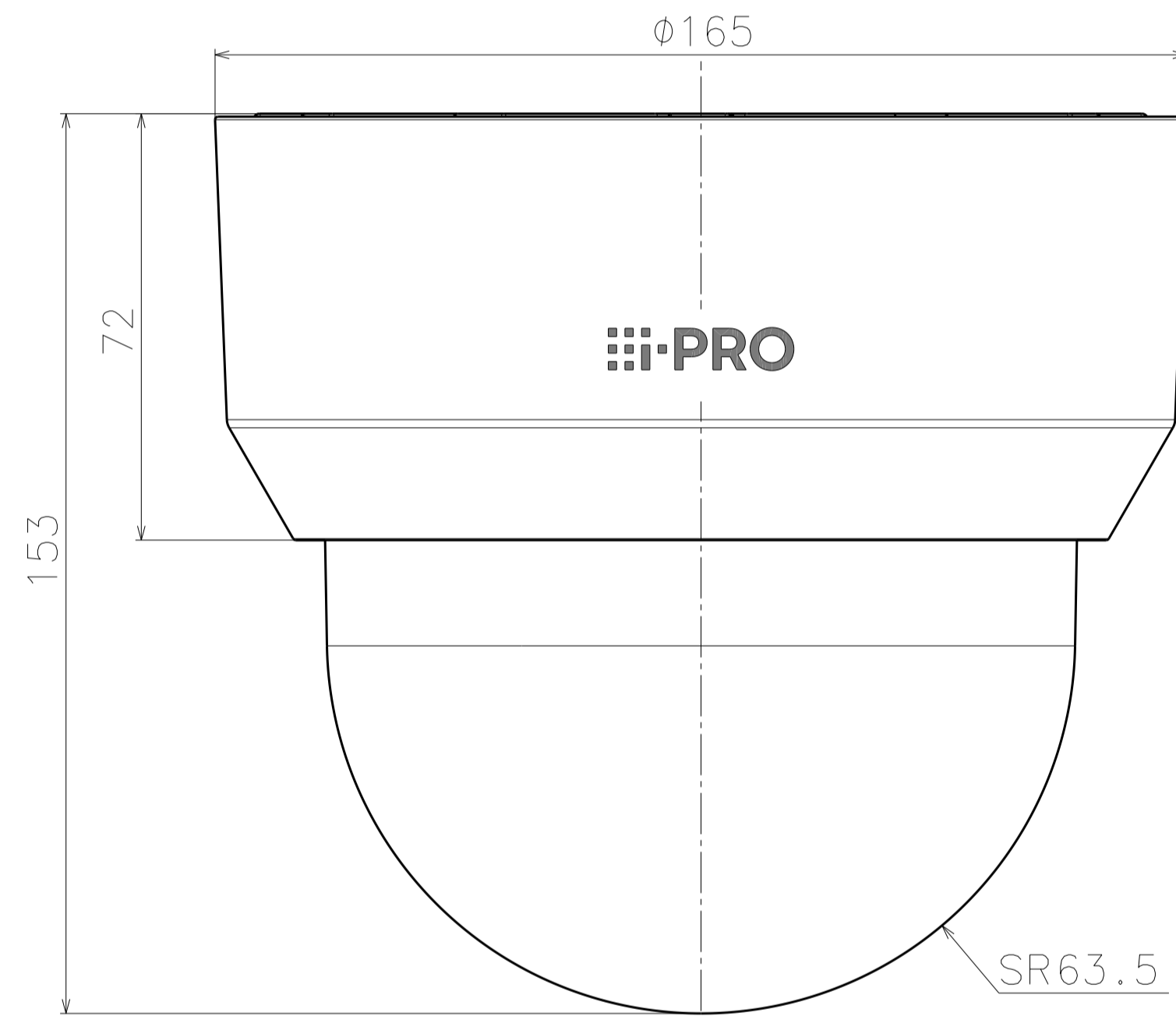
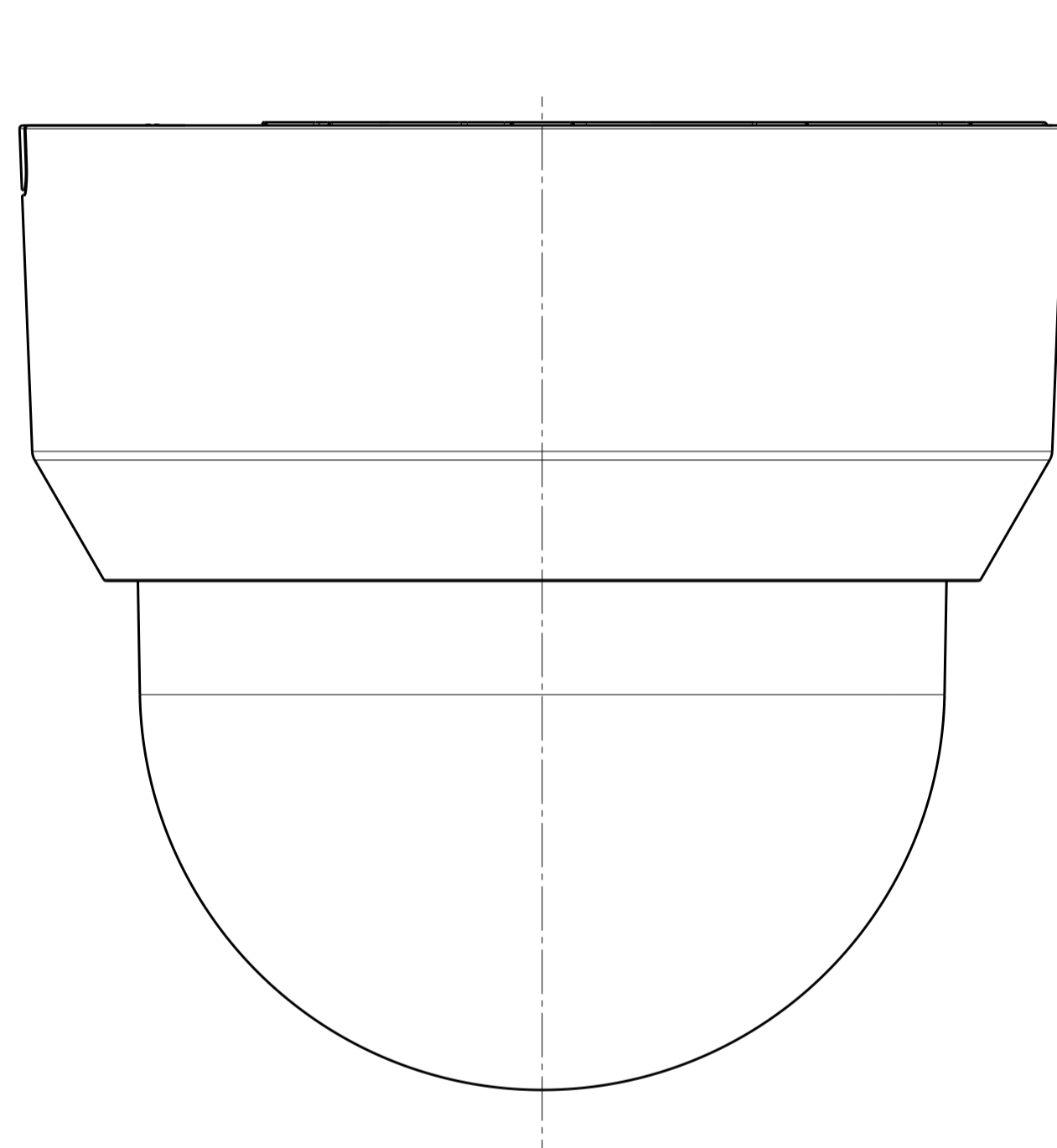
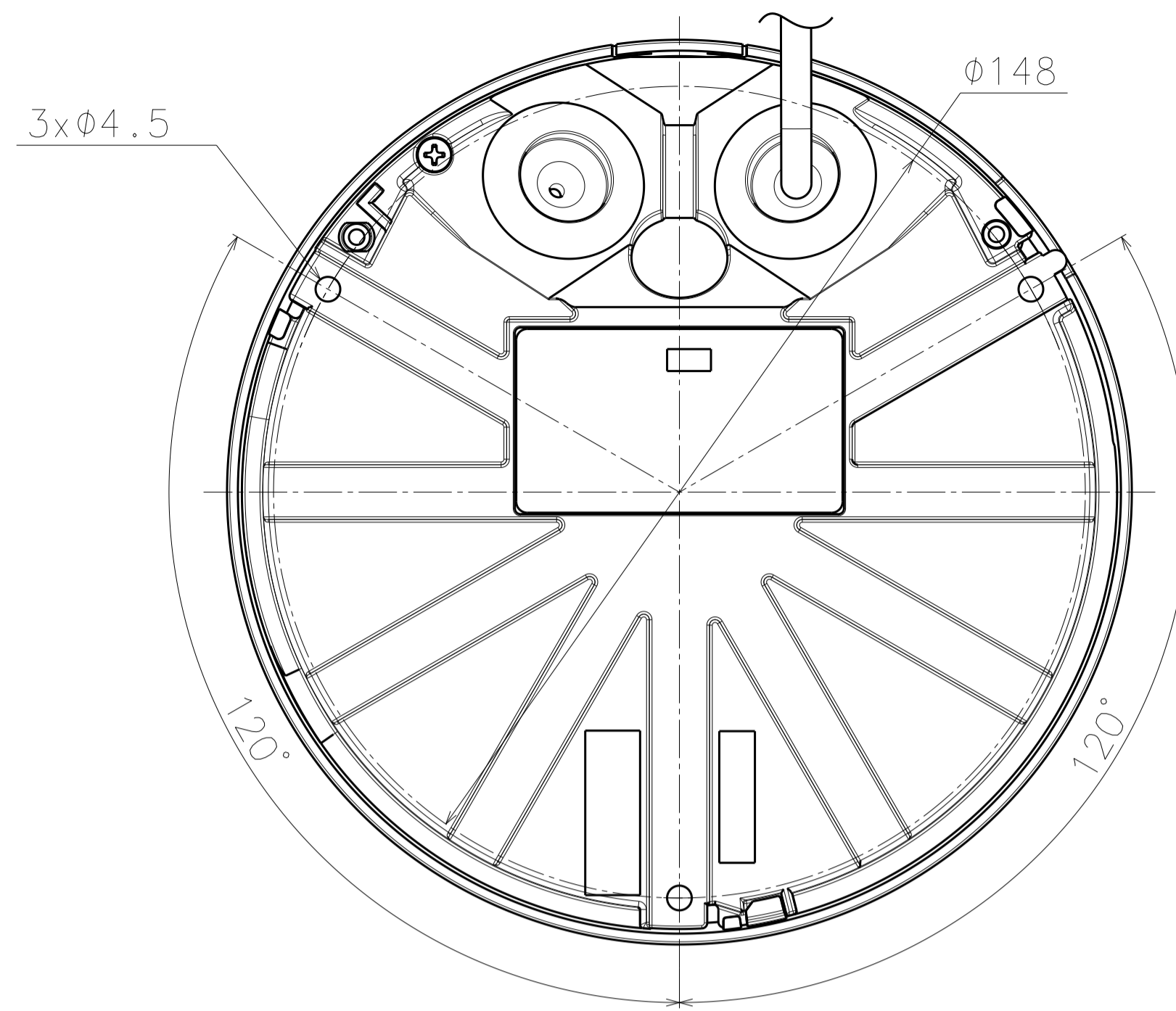


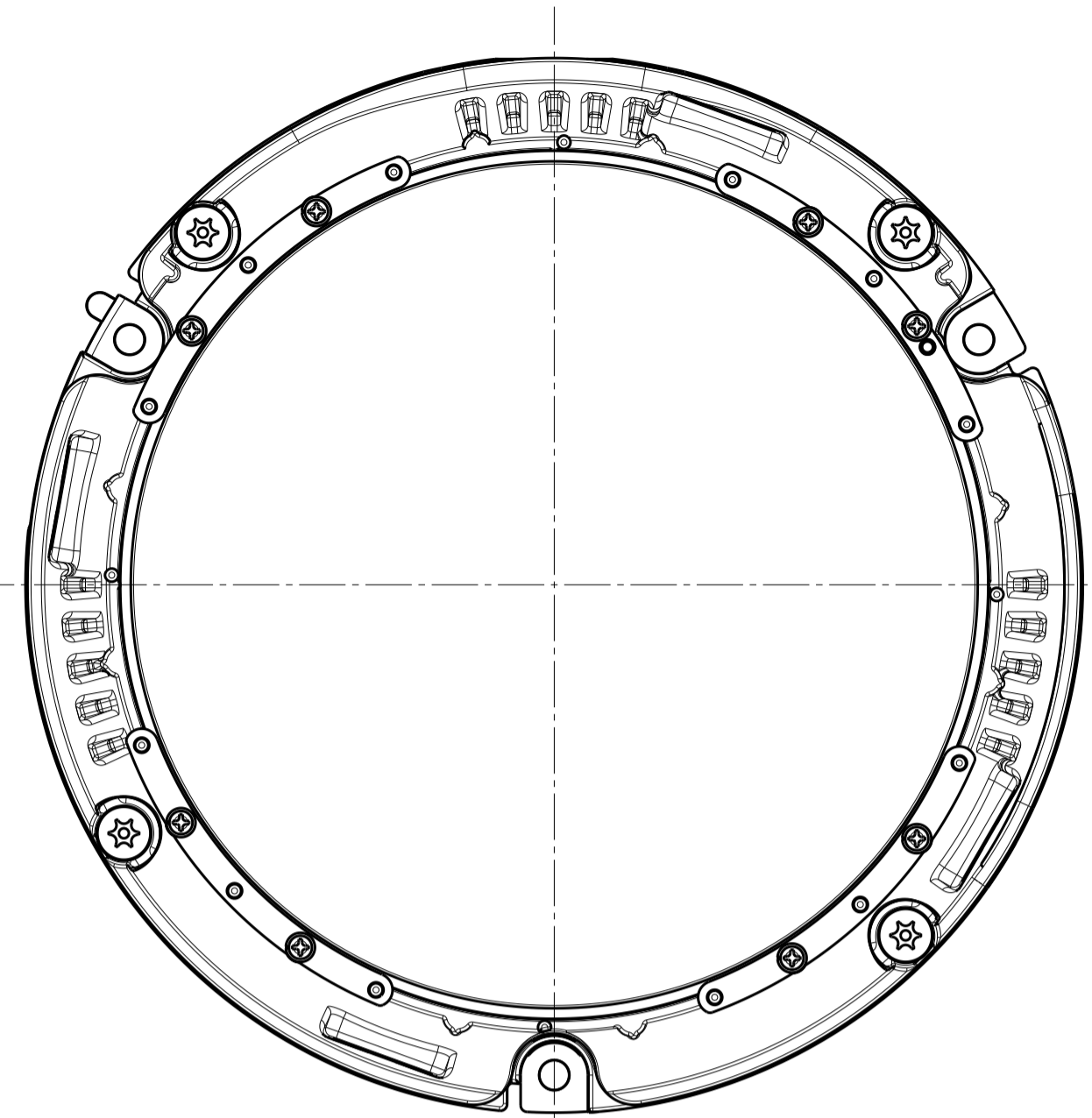
Object model: WV-B65302-Z2



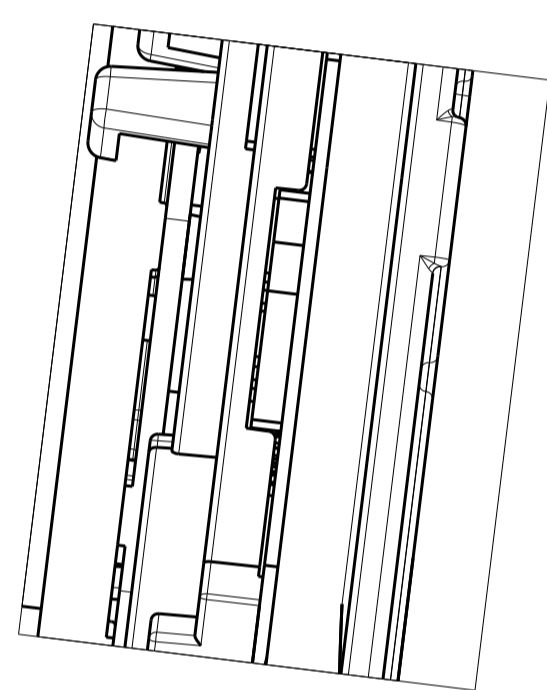
Model number	Dome type	Decorative cover coating
WV-U65302-Z2	Clear dome	i-PRO white
WV-U65302-Z2G	Smoke dome	
WV-B65302-Z2	Clear dome	
WV-S65302-Z2	Smoke dome	
WV-S65302-Z2G	Smoke dome	Black
WV-S65302-Z2J	Clear dome	
WV-S65302-Z2-1	Clear dome	
WV-S65302-Z2-1J	Clear dome	

	投影面積/Projected area
側面圖/Side-view	0.020 (m ²)

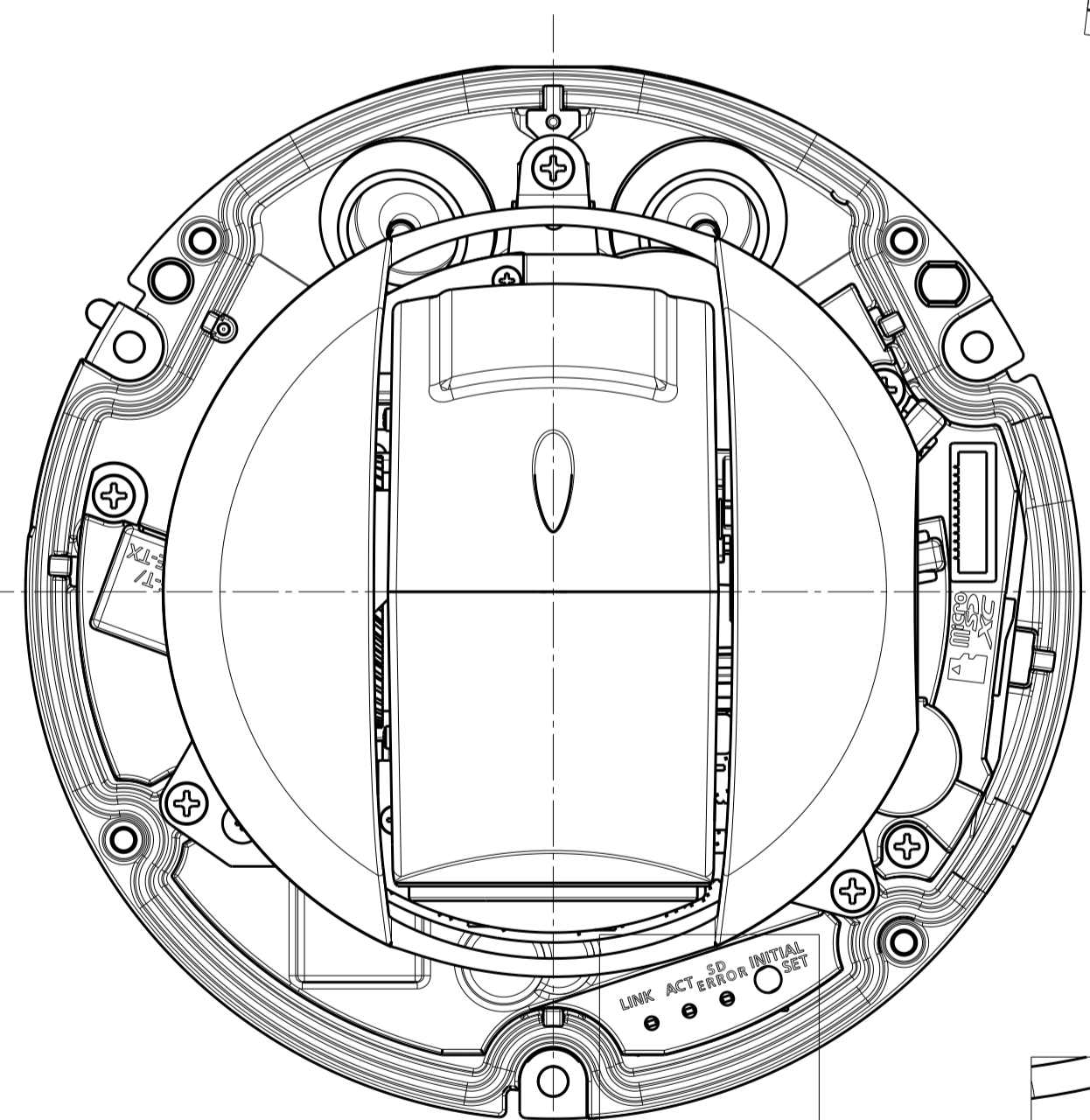
Mass : Approx. 1.4 kg {3.09 lbs}



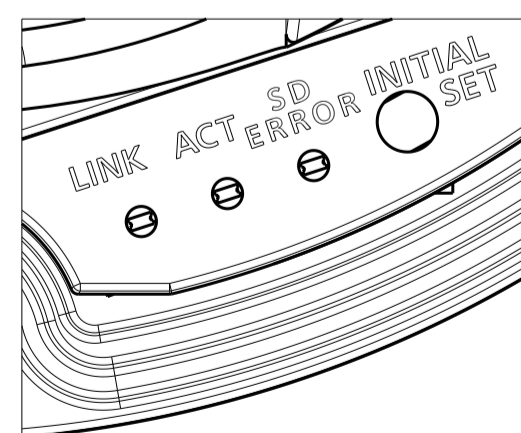
Without Decorative cover



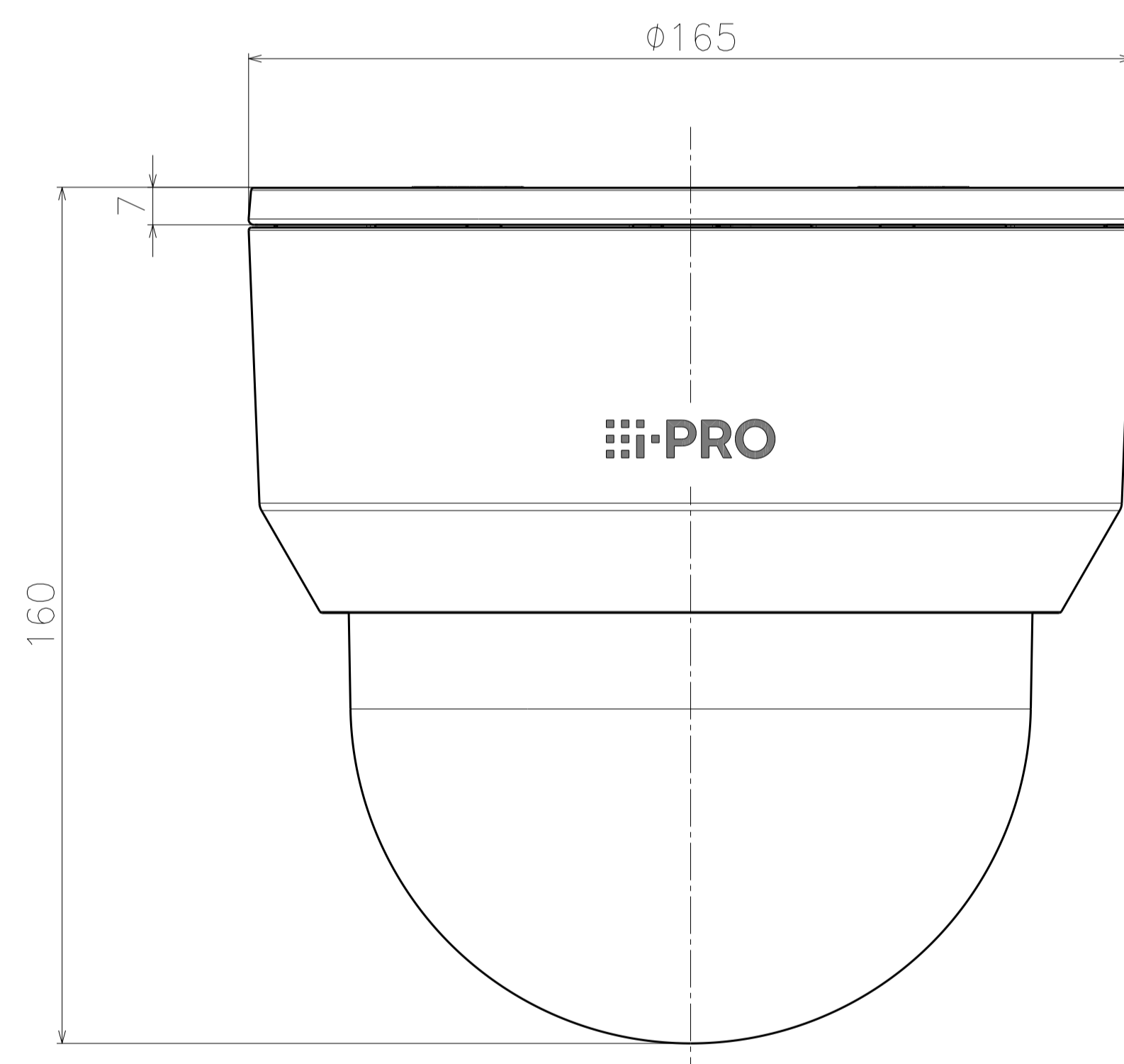
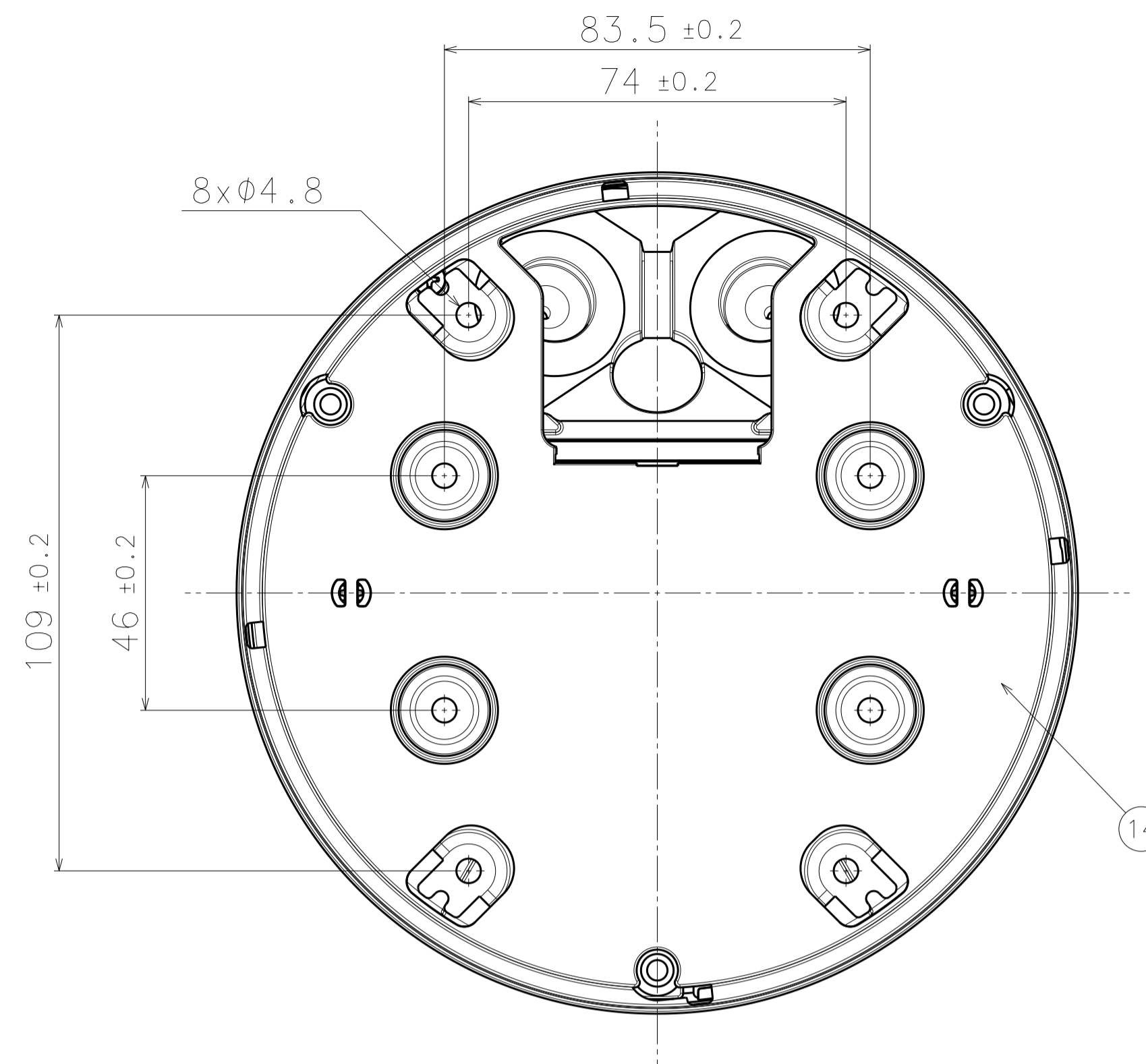
View A (2:1)



Without Enclosure

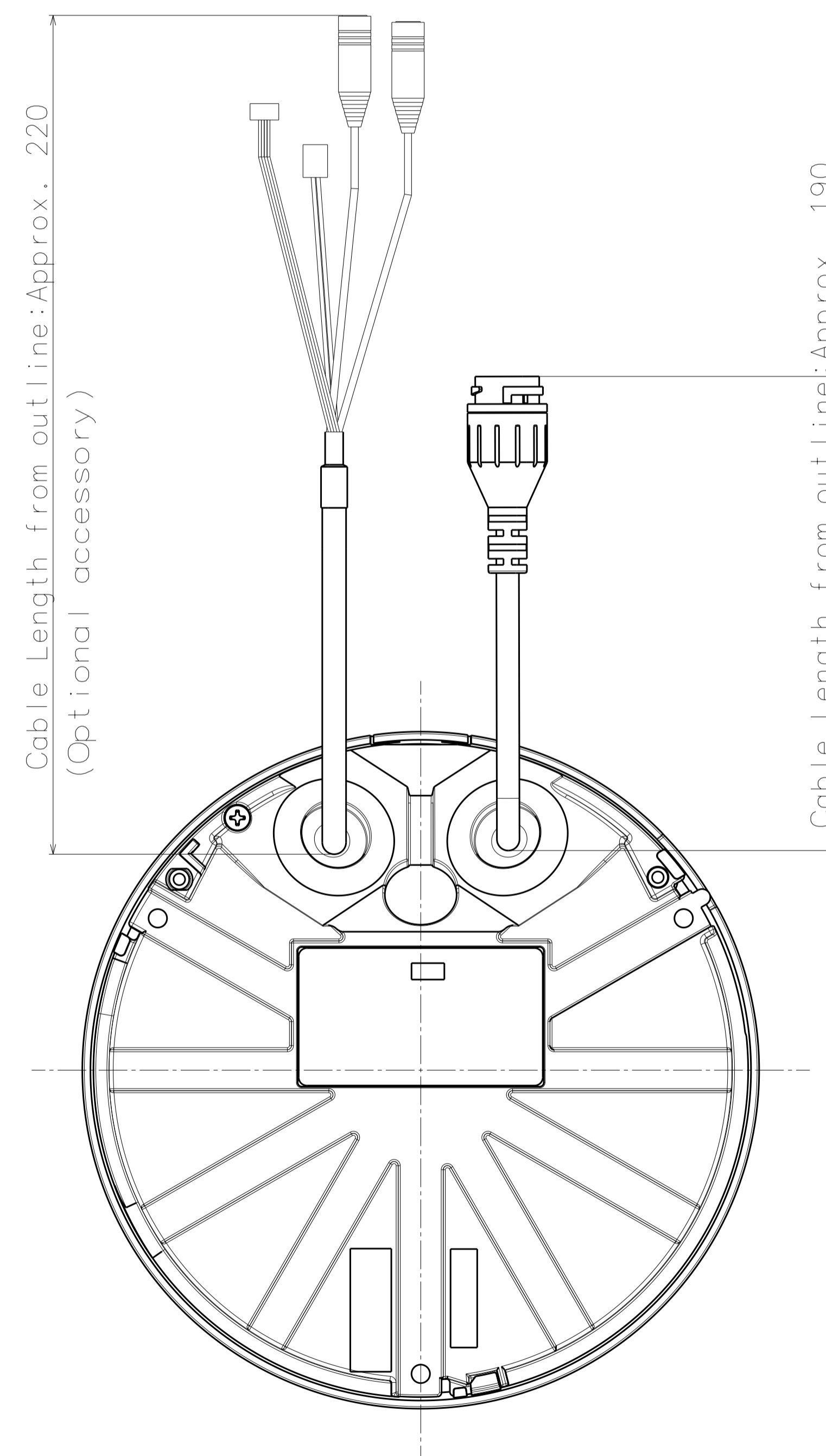


Detail B (2:1)



With Attachment plate & Attachment cover

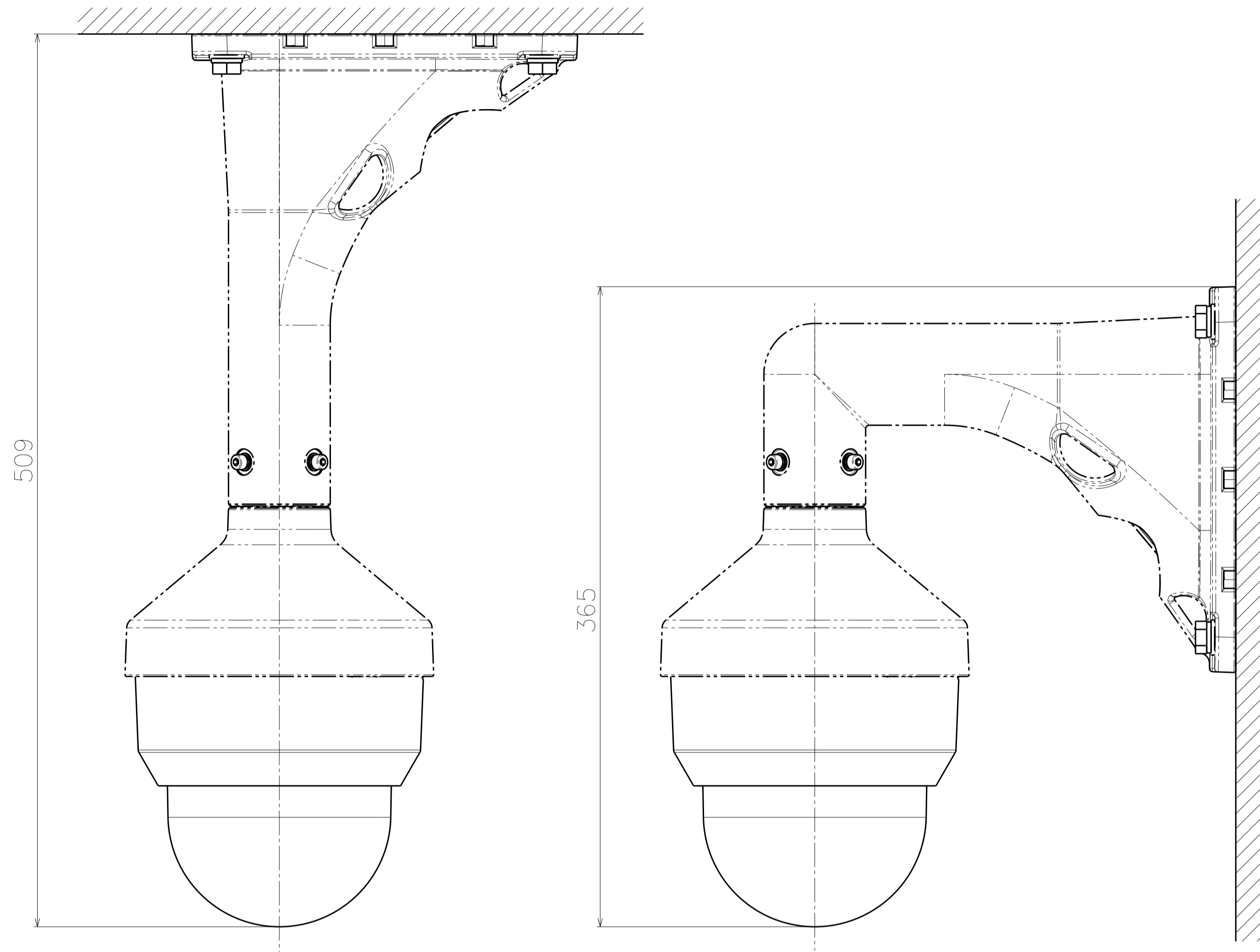
側面図/Side-view	投影面積/Projected area 0.021 (m ²)
---------------	--



Model number
WV-U65302-Z2
WV-U65302-Z2G
WV-B65302-Z2
WV-S65302-Z2
WV-S65302-Z2G
WV-S65302-Z2J
WV-S65302-Z2-1
WV-S65302-Z2-1J

Mass : Approx. 1.7 kg {3.75 lbs}
(When using the attachment plate and attachment cover)

金具との組み合わせ例
Example of combination with bracket

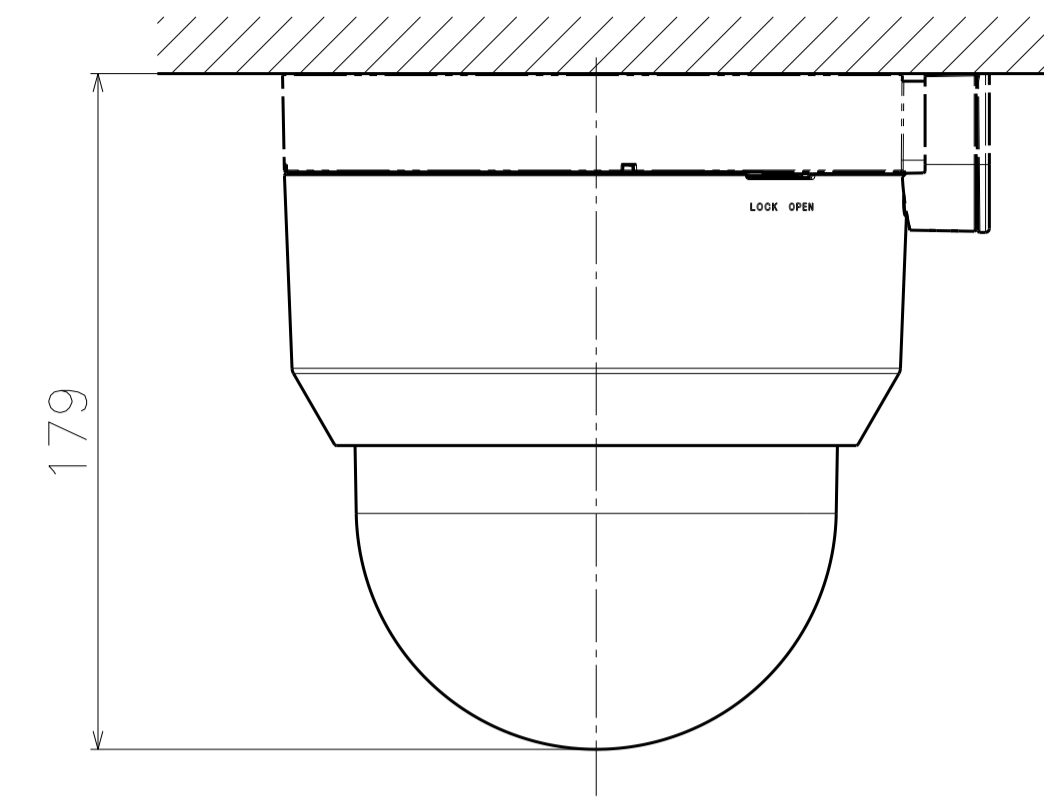


Attach to WV-QCL501** & WV-QSR501**

	投影面積/Projected area
側面図/Side-view	0.055 (m ²)
平面図/TOP-view	0.035 (m ²)

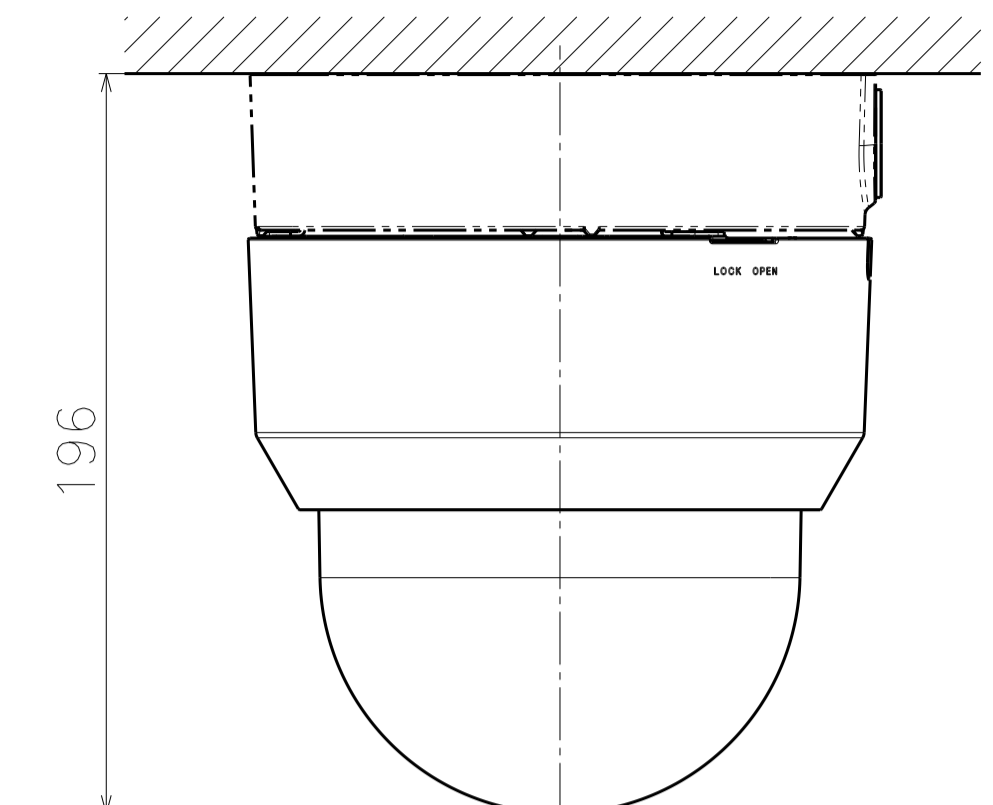
Attach to WV-QWL501** & WV-QSR501**

	投影面積/Projected area
側面図/Side-view	0.058 (m ²)
平面図/TOP-view	0.034 (m ²)



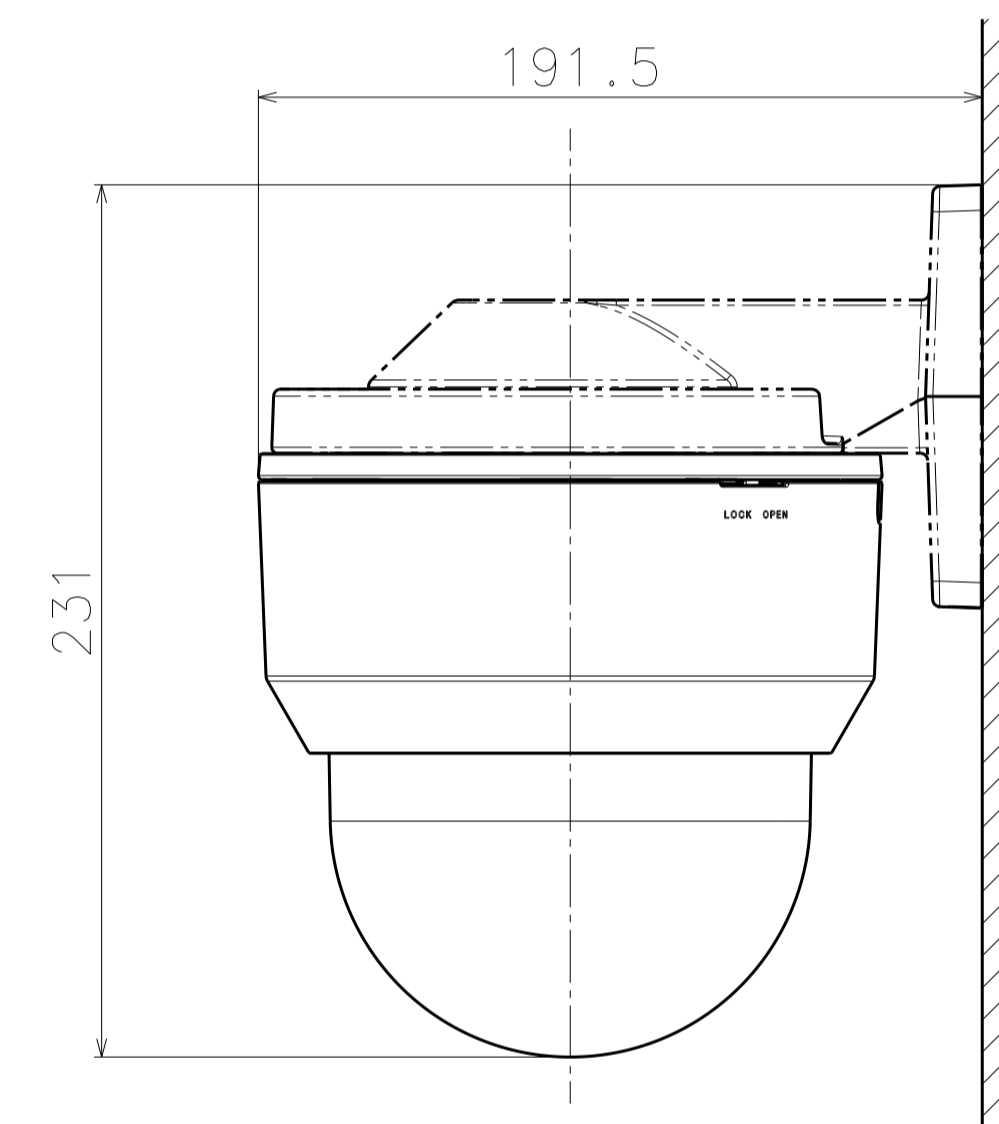
Attach to WV-QJB504**

	投影面積/Projected area
正面図/Front-view	0.024 (m ²)
側面図/Side-view	0.025 (m ²)



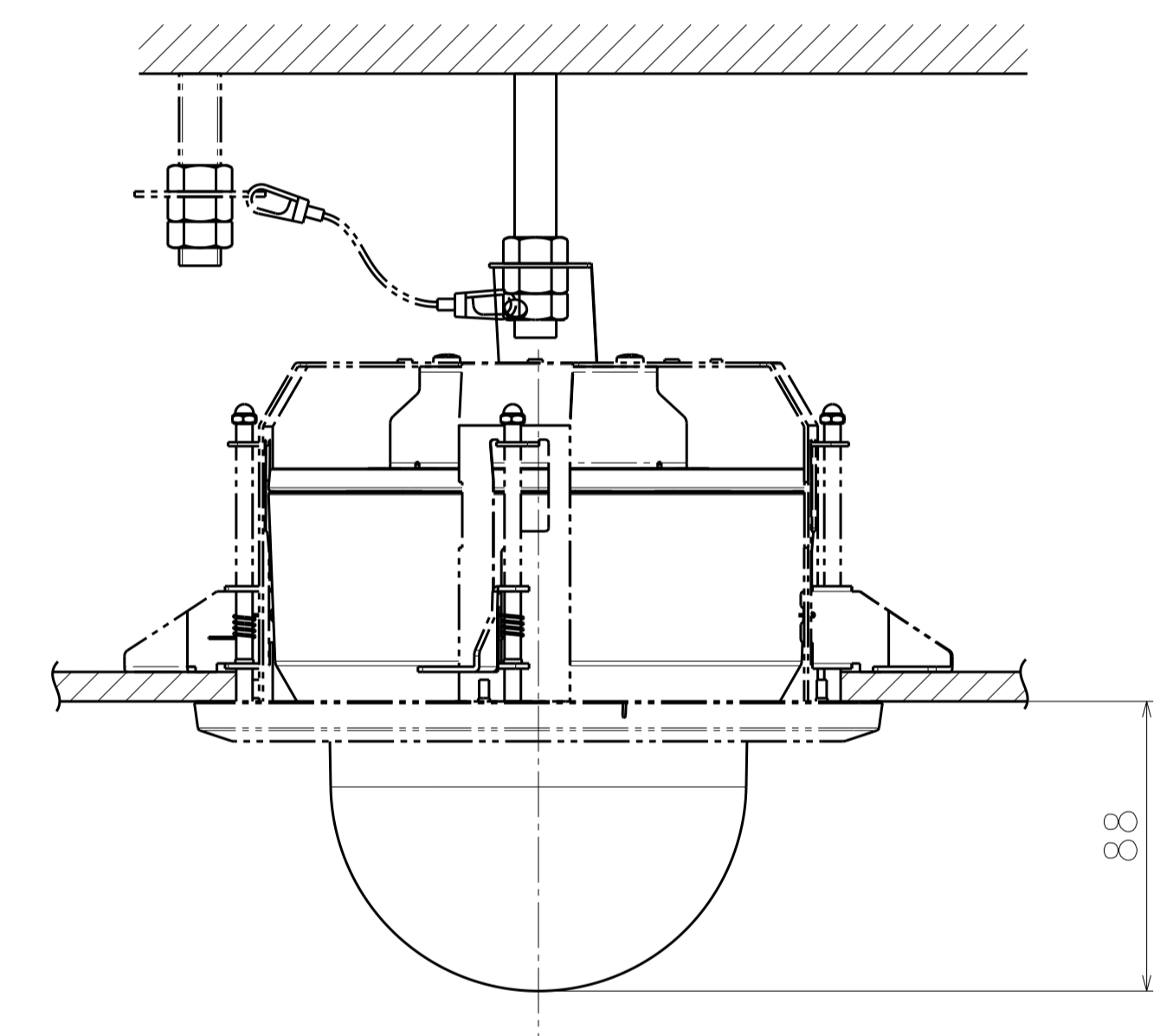
Attach to WV-QJB501**

	投影面積/Projected area
正面図/Front-view	0.027 (m ²)
側面図/Side-view	0.027 (m ²)

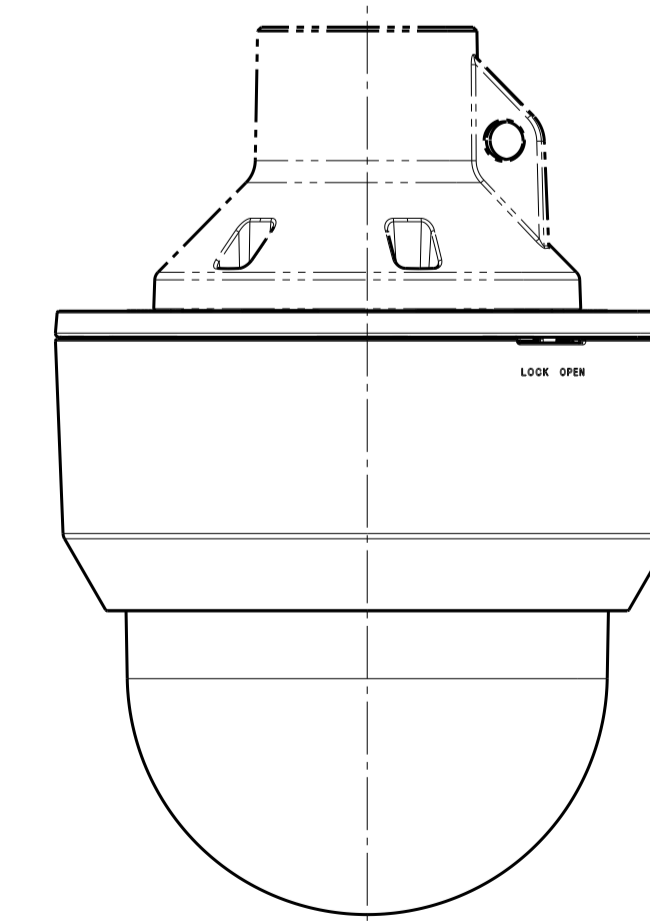


Attach to WV-QWL500**

	投影面積/Projected area
側面図/Side-view	0.027 (m ²)



Attach to WV-QEM504**



Attach to WV-QCL100**

Model number
WV-U65302-Z2
WV-U65302-Z2G
WV-B65302-Z2
WV-S65302-Z2
WV-S65302-Z2G
WV-S65302-Z2J
WV-S65302-Z2-1
WV-S65302-Z2-1J