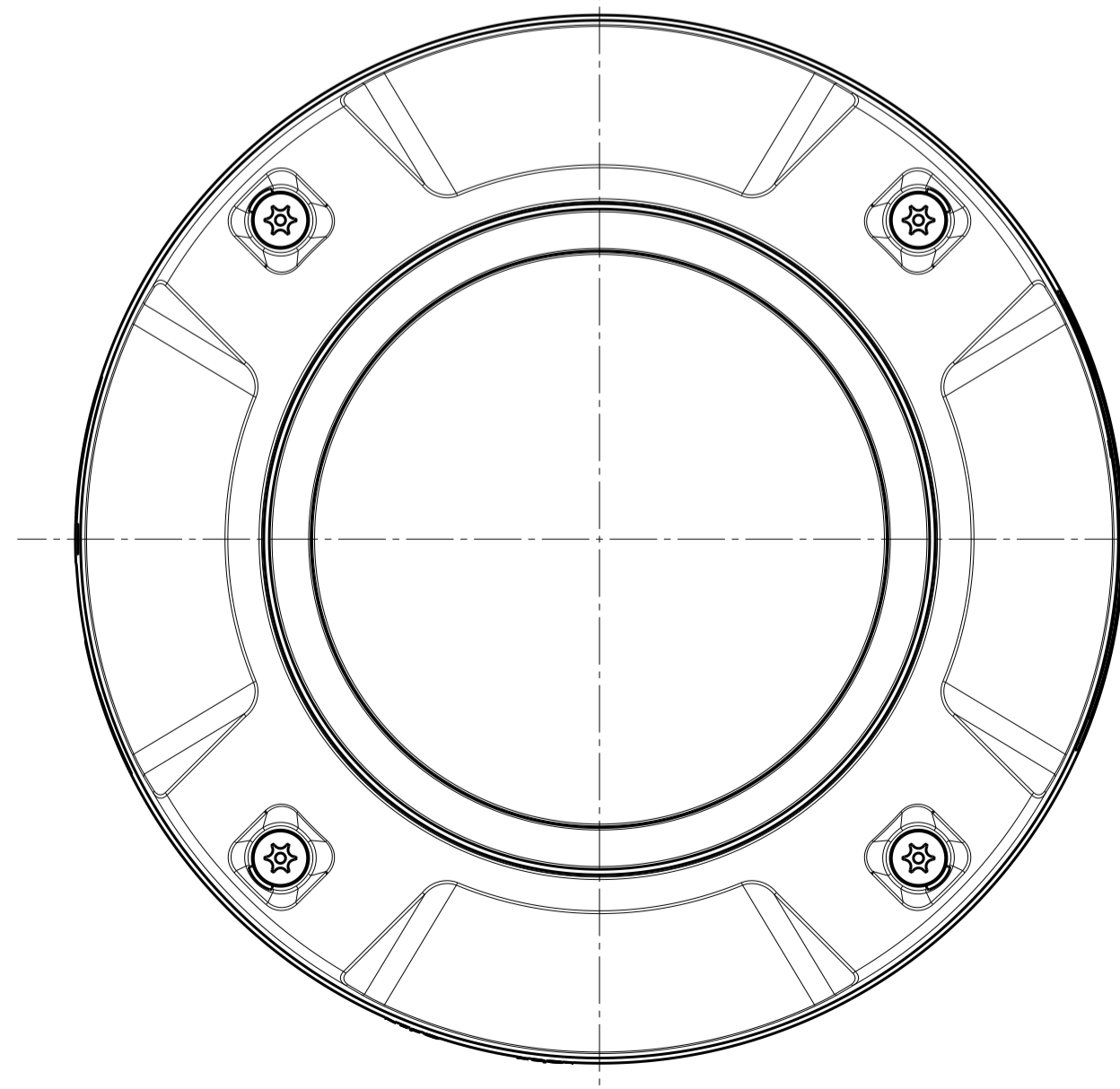
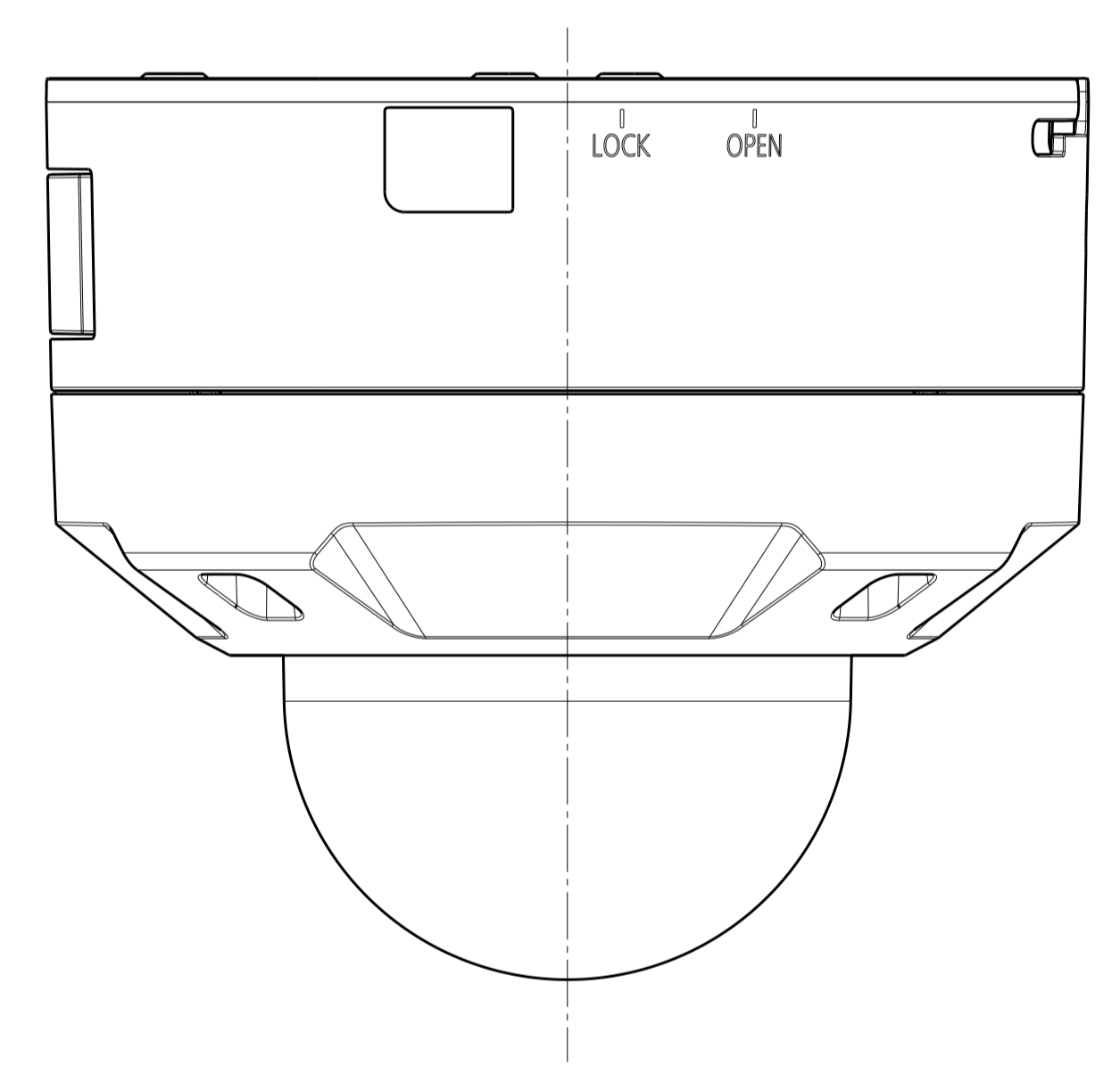
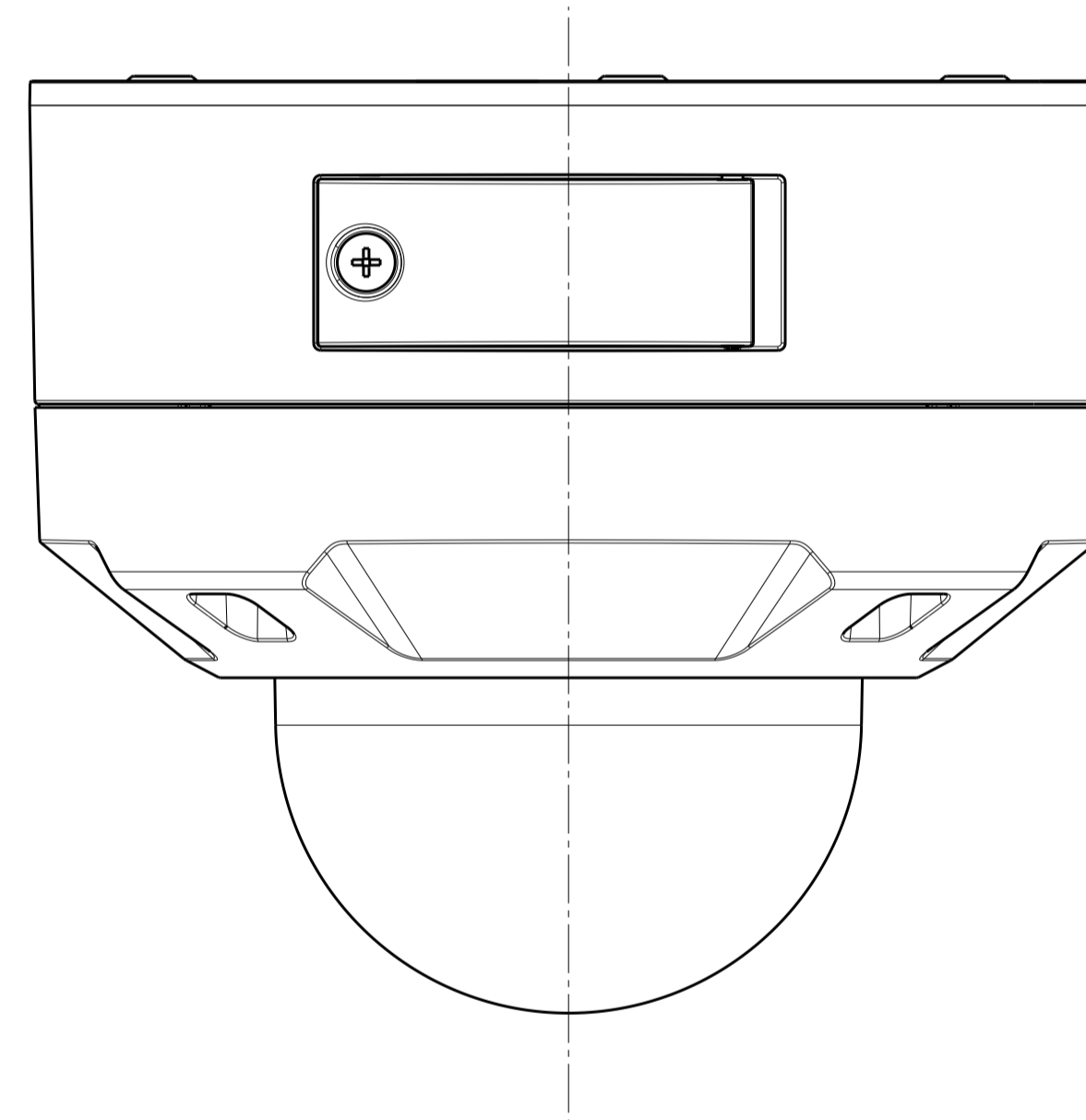
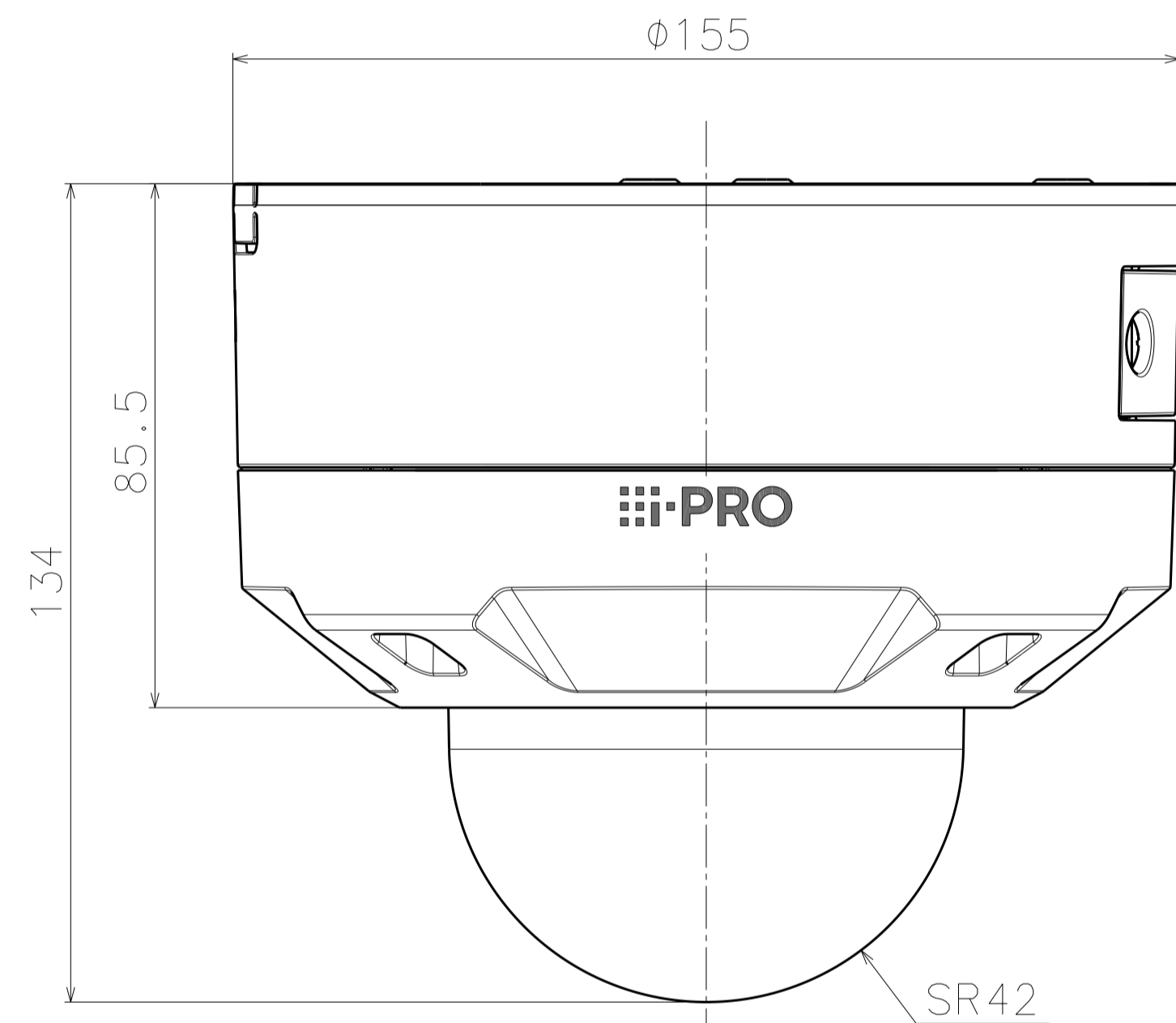
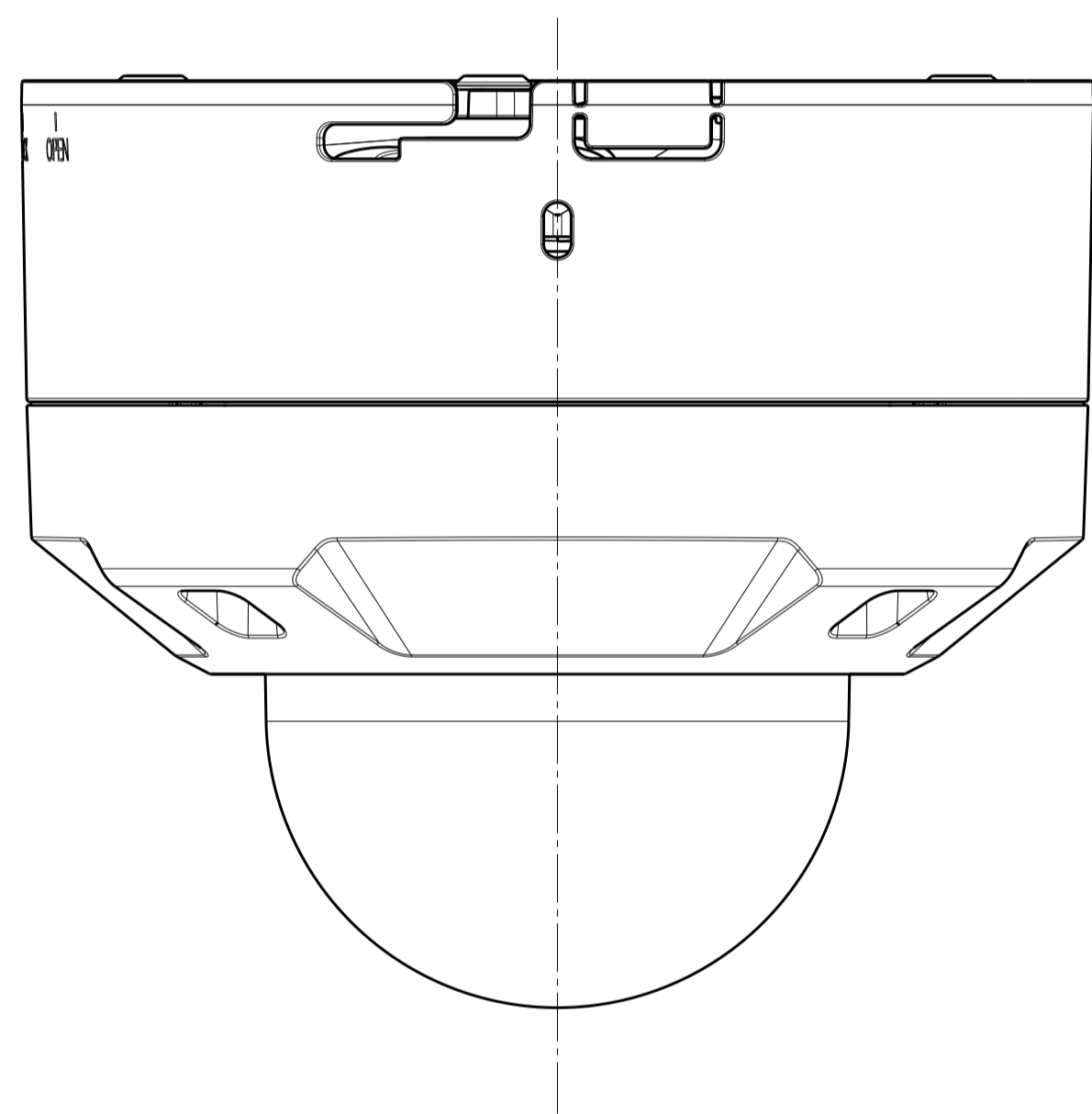
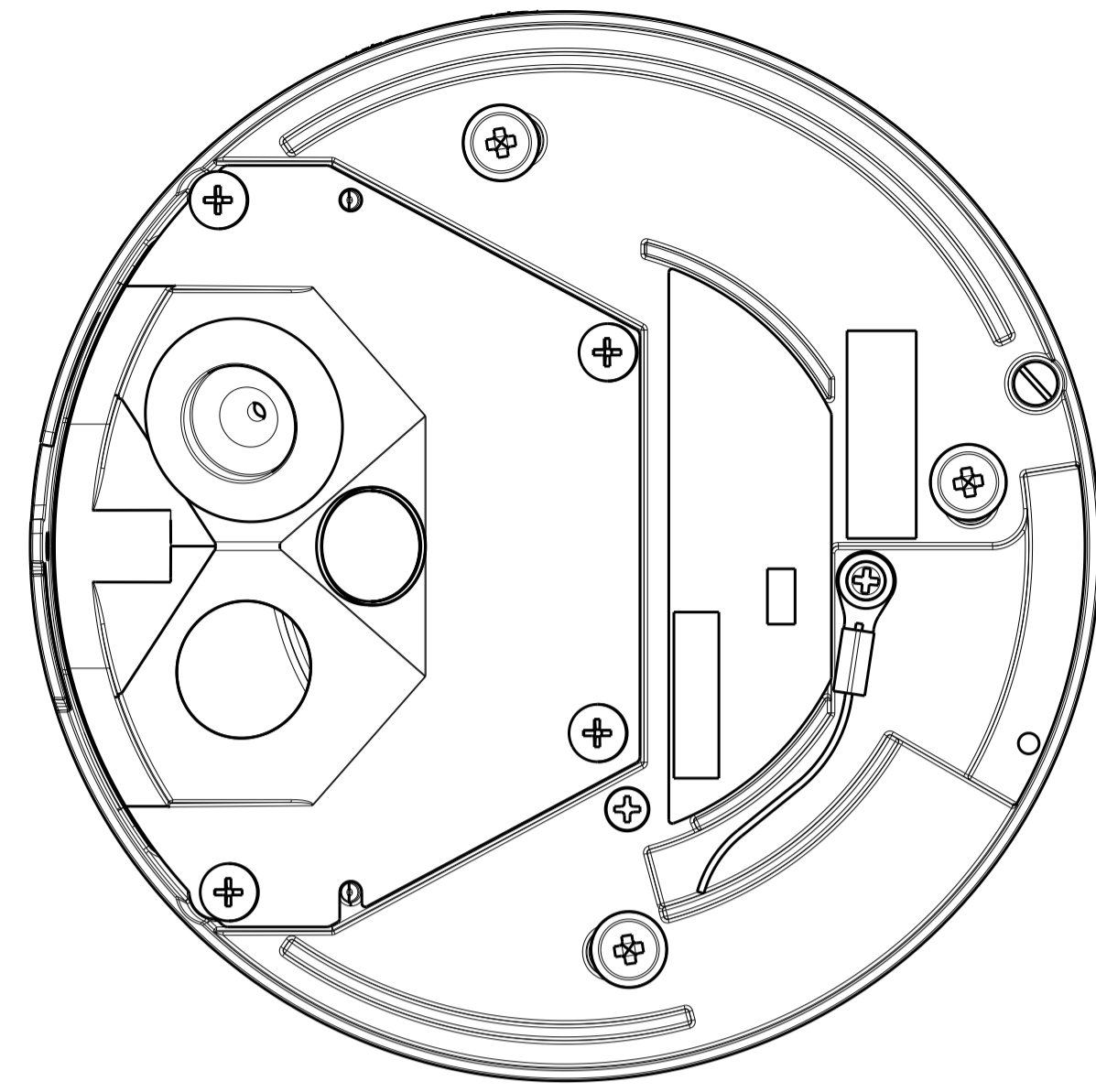


**Object model: WV-B65300-ZY**  
(No FCC label / ST)

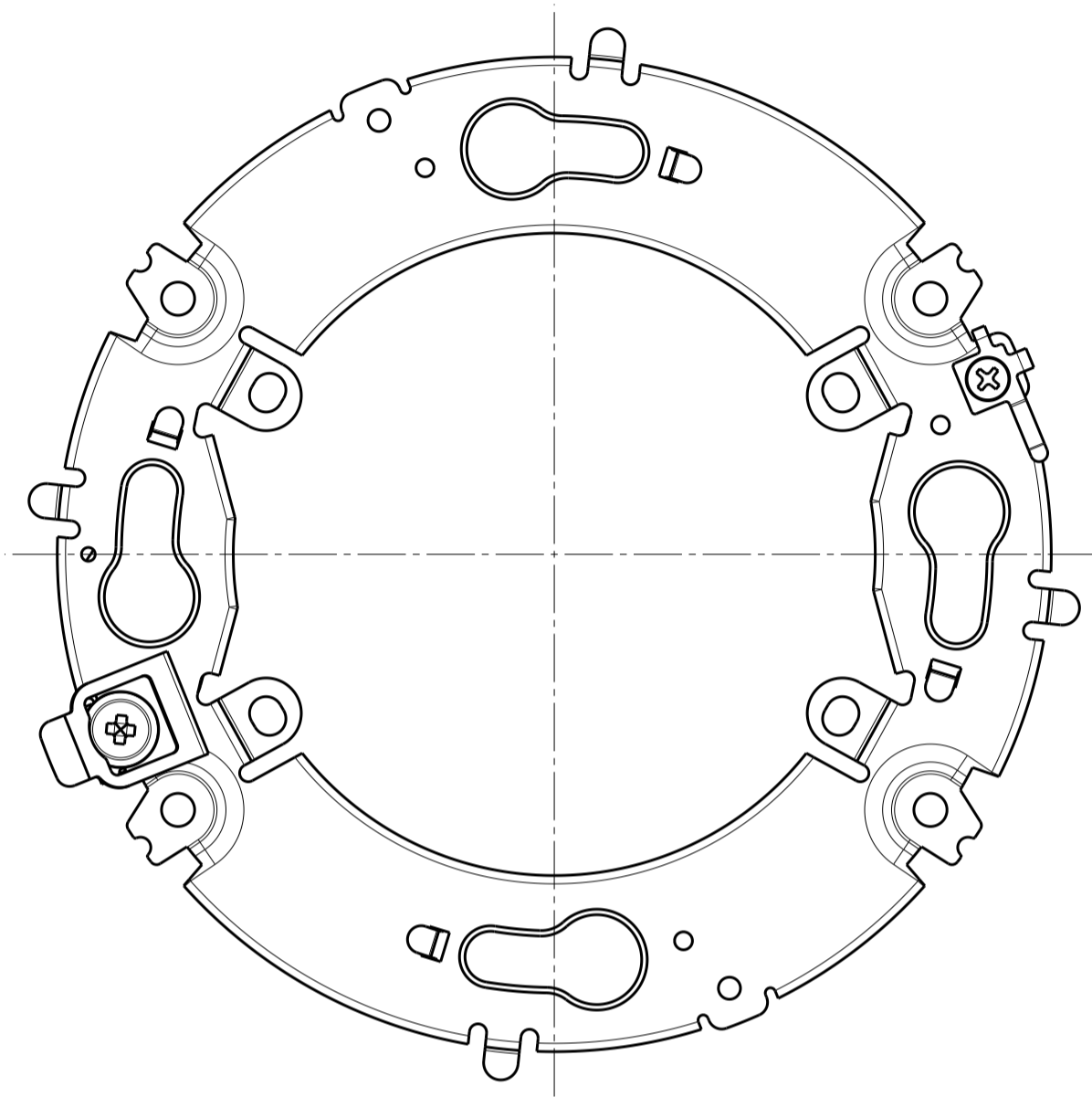
Model number	Dome type
WV-U65300-ZY	Clear dome
WV-U65300-ZYG	Smoke dome
WV-B65300-ZY	Clear dome
WV-S65300-ZYJ	Clear dome

Mass : Approx. 1.5 kg {3.31 lbs}

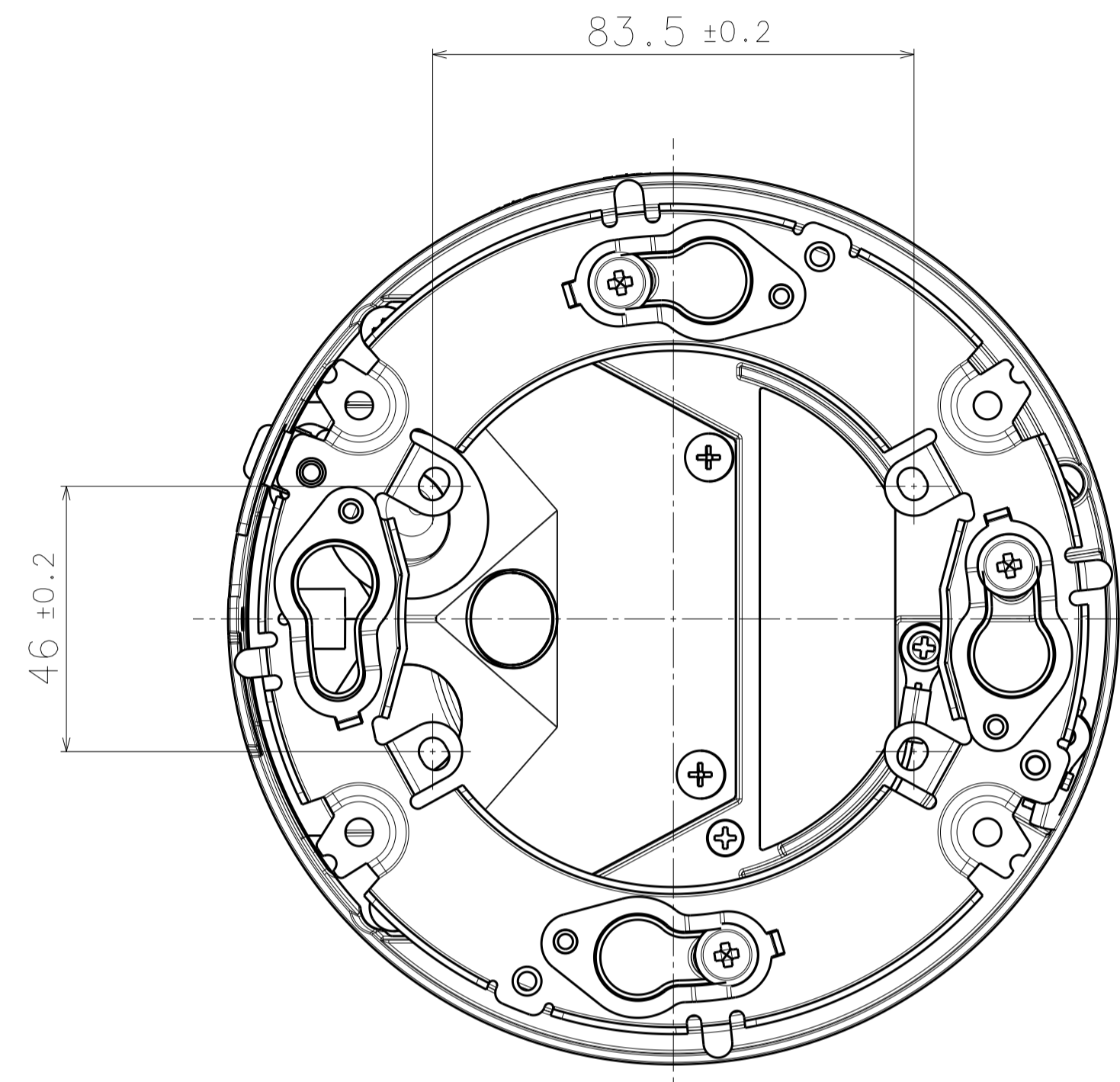


Model number	Dome type
WV-S65300-ZY	Clear dome
WV-S65300-ZYG	Smoke dome

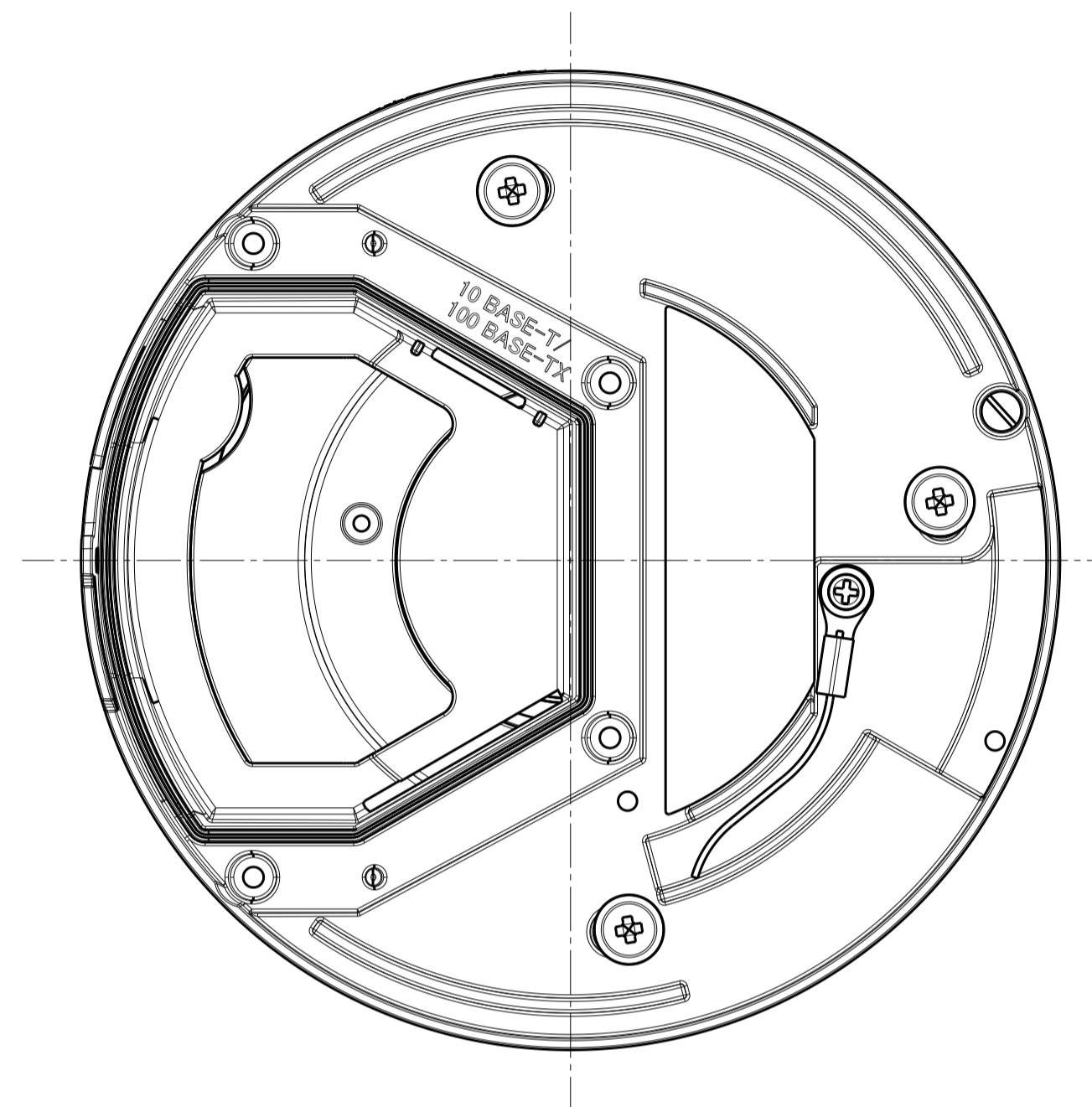
Mass : Approx. 1.5 kg {3.31 lbs}



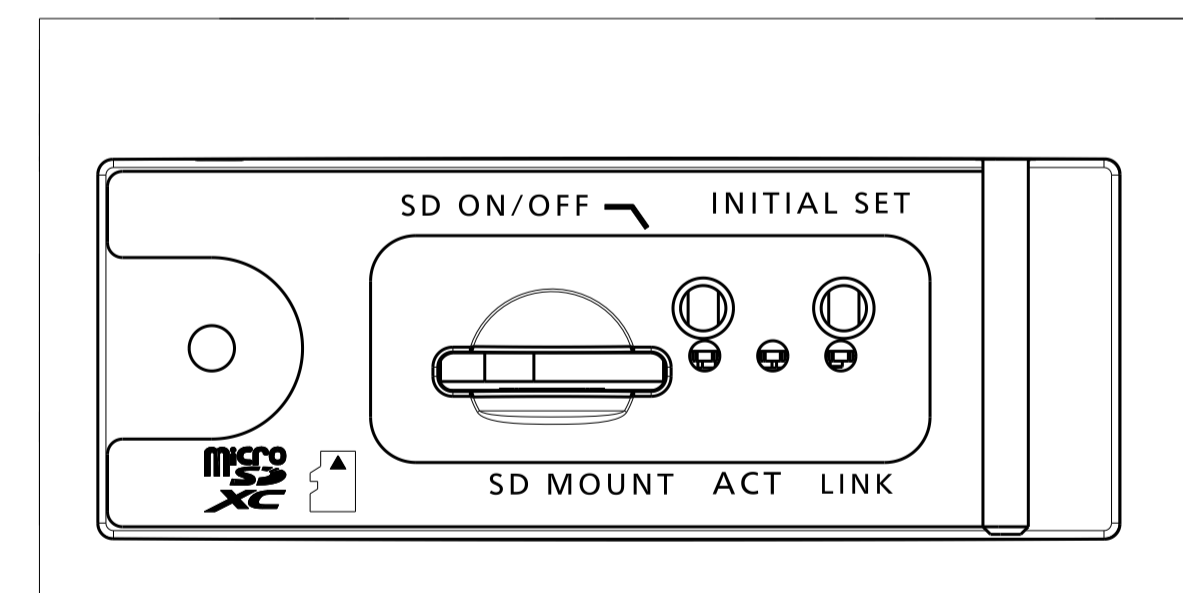
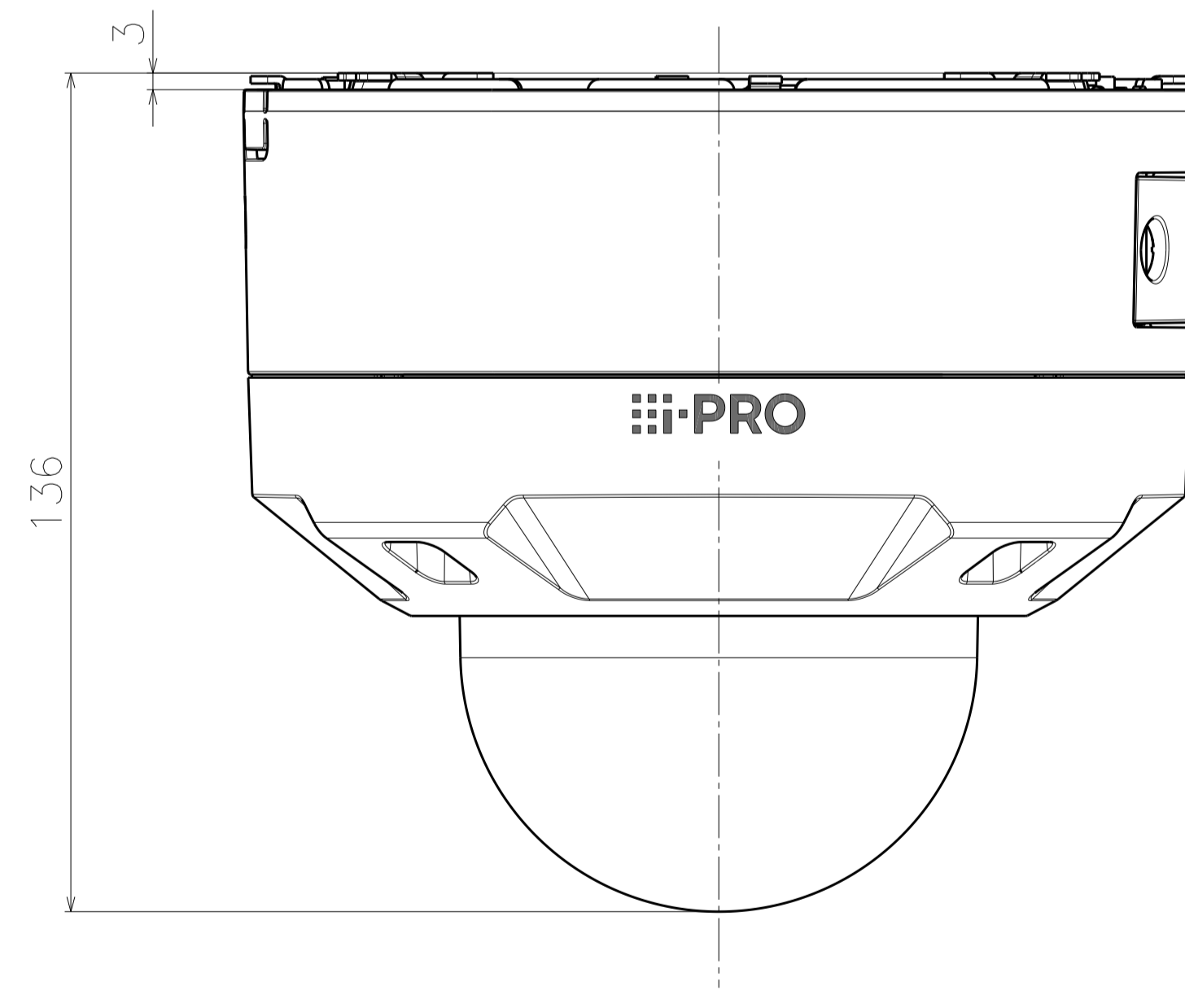
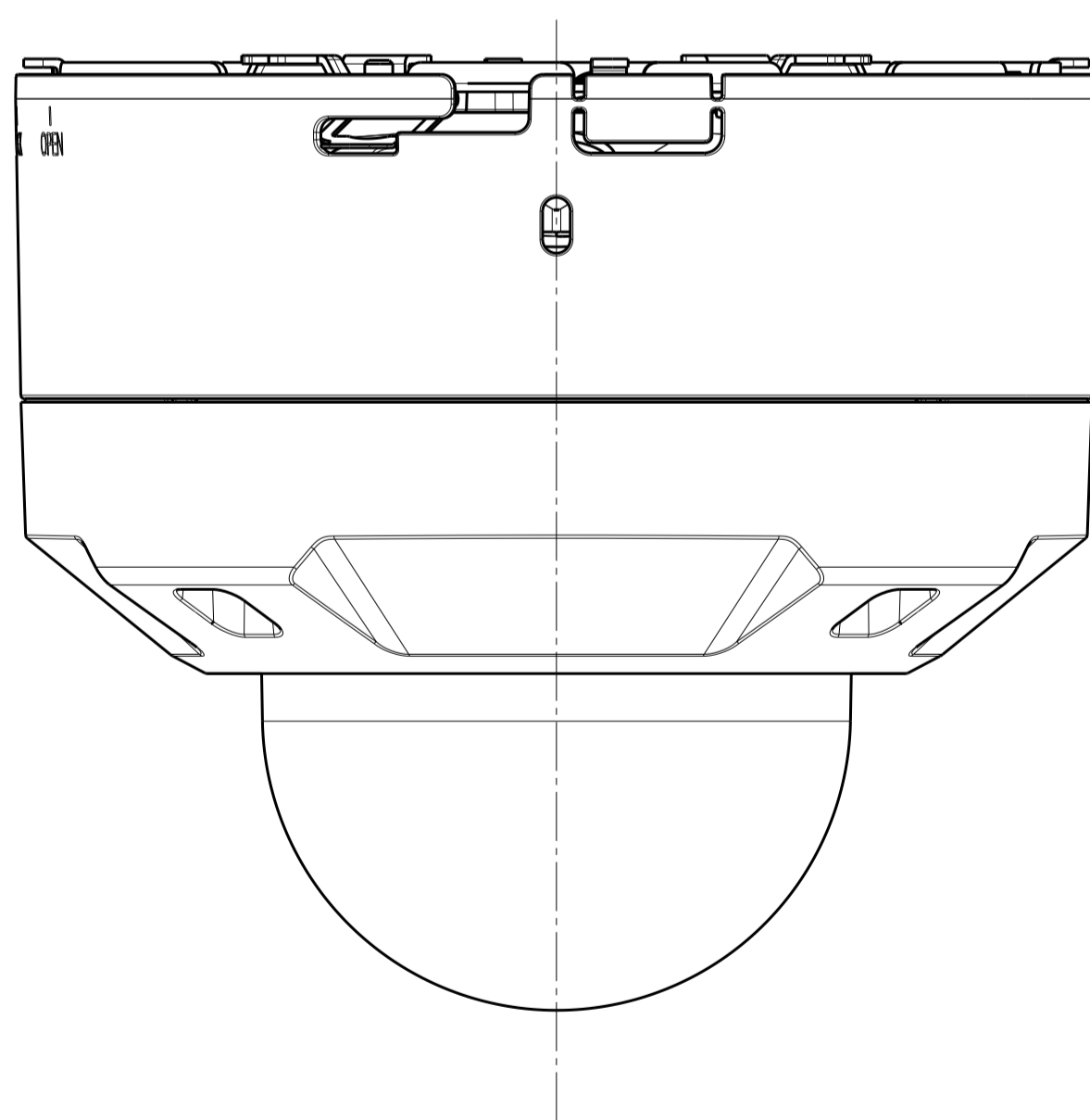
Attachment plate



With Attachment plate



With the grommet cover removed

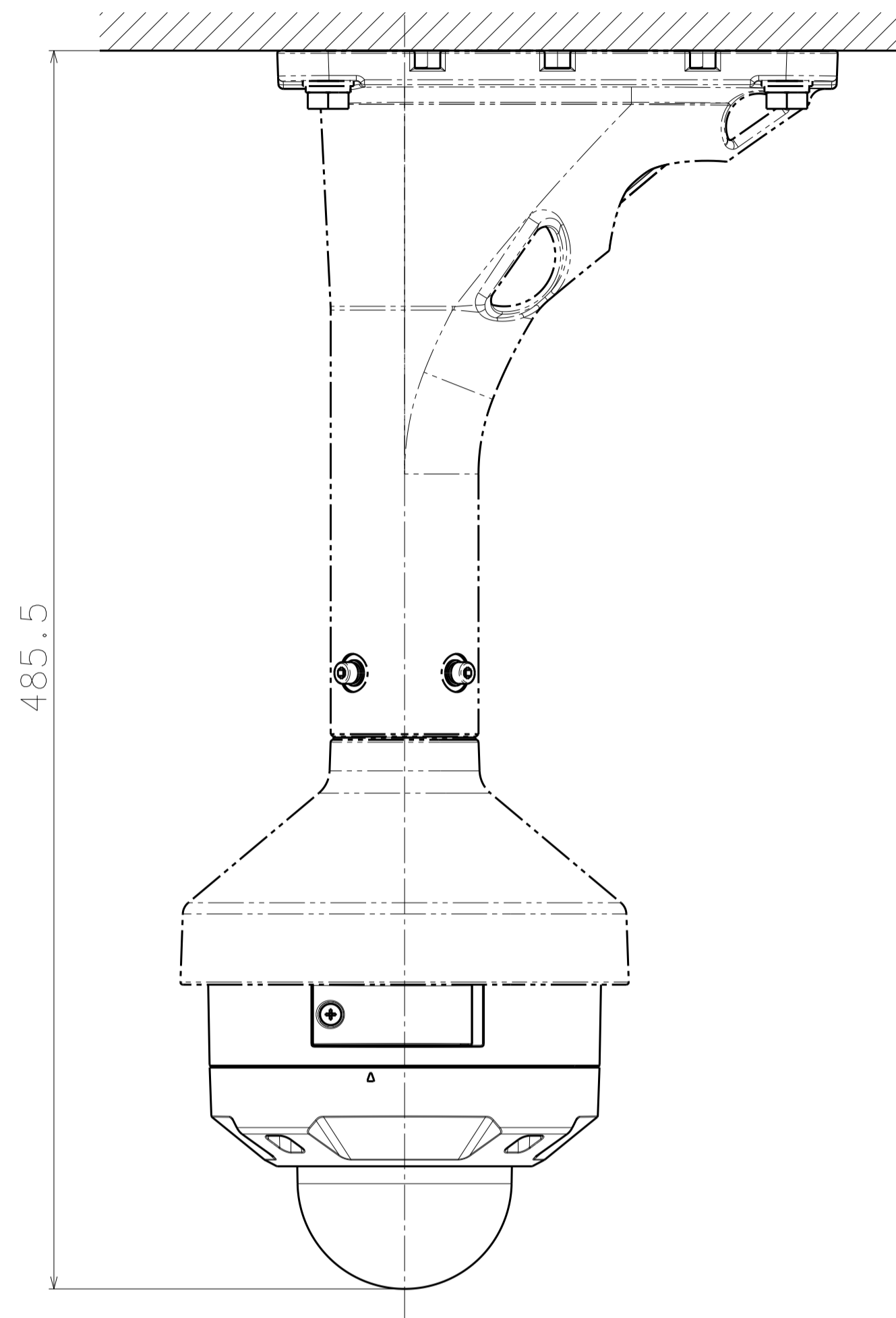


Inside of SD cover  
(S=2:1)

Model number
WV-U65300-ZY
WV-U65300-ZYG
WV-B65300-ZY
WV-S65300-ZY
WV-S65300-ZYG
WV-S65300-ZYJ

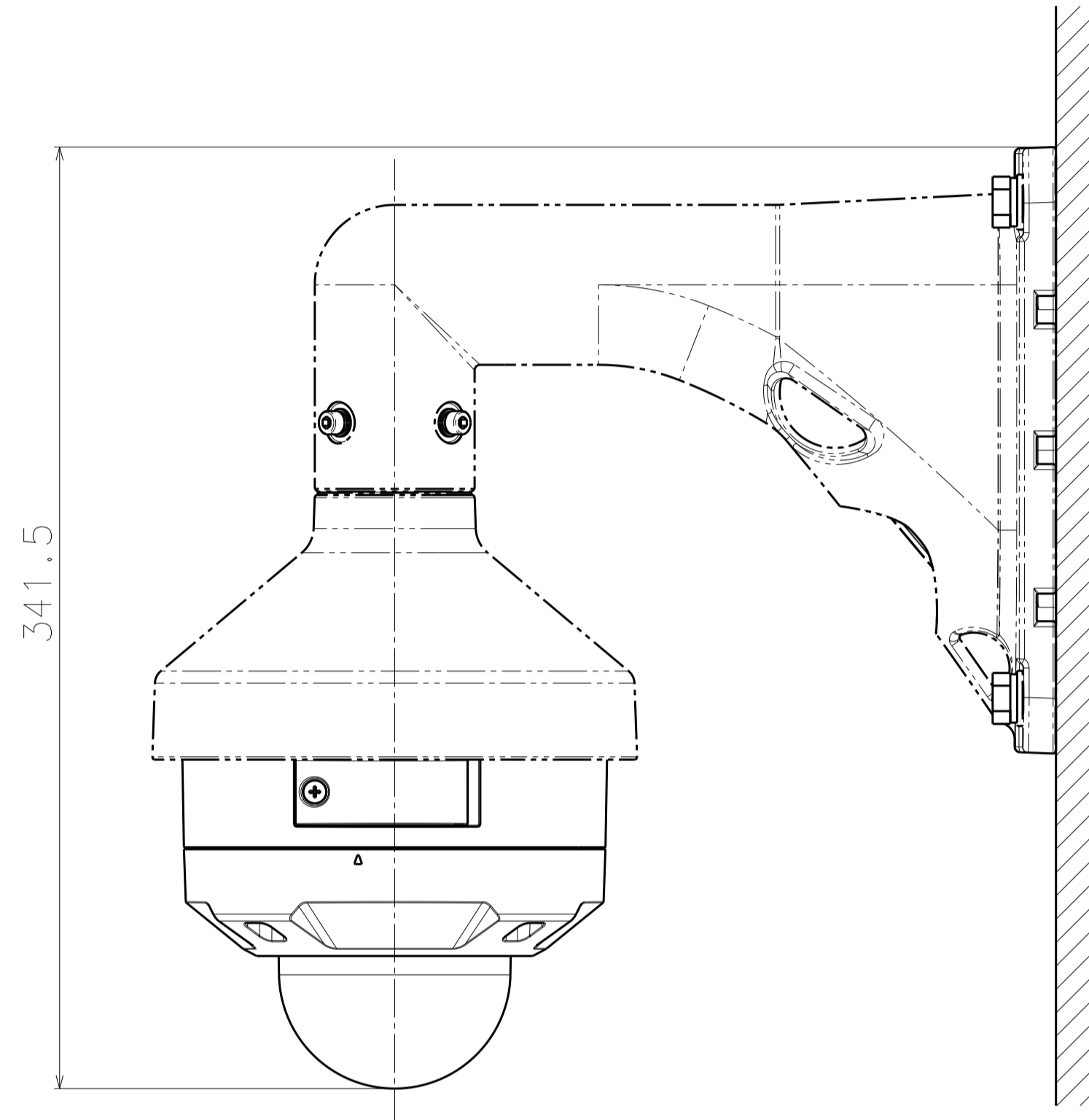
Mass : Approx. 1.6 kg {3.53 lbs} (When using the attachment plate)

金具との組み合わせ例  
Example of combination with bracket



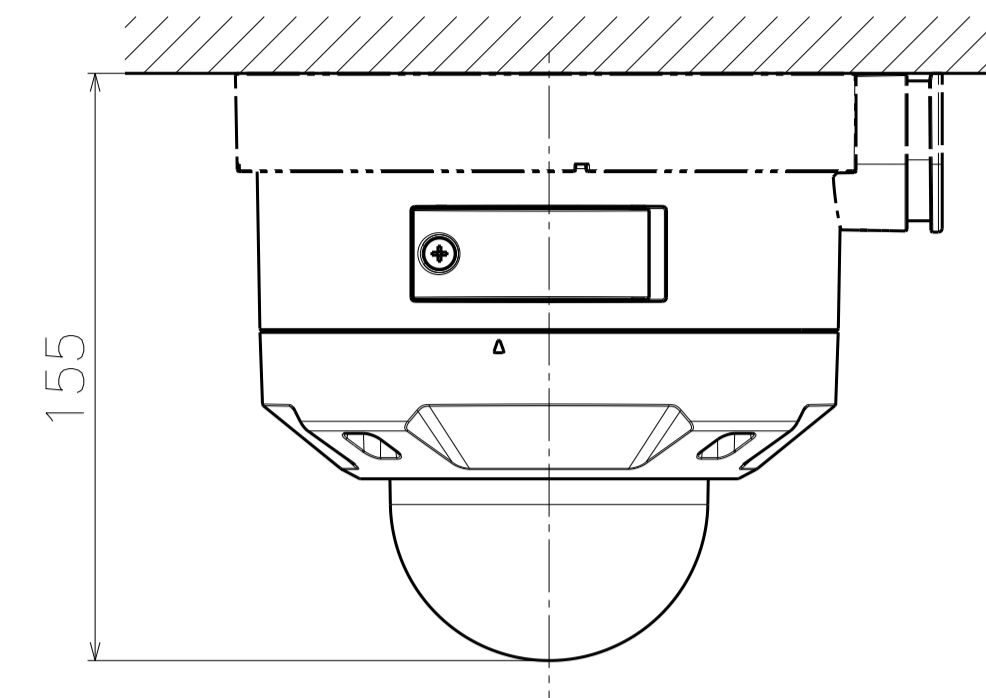
Attach to WV-QCL501\*\* & WV-QSR504\*\*

	投影面積/Projected area
側面図/Side-view	0.051 (m <sup>2</sup> )
平面図/TOP-view	0.035 (m <sup>2</sup> )



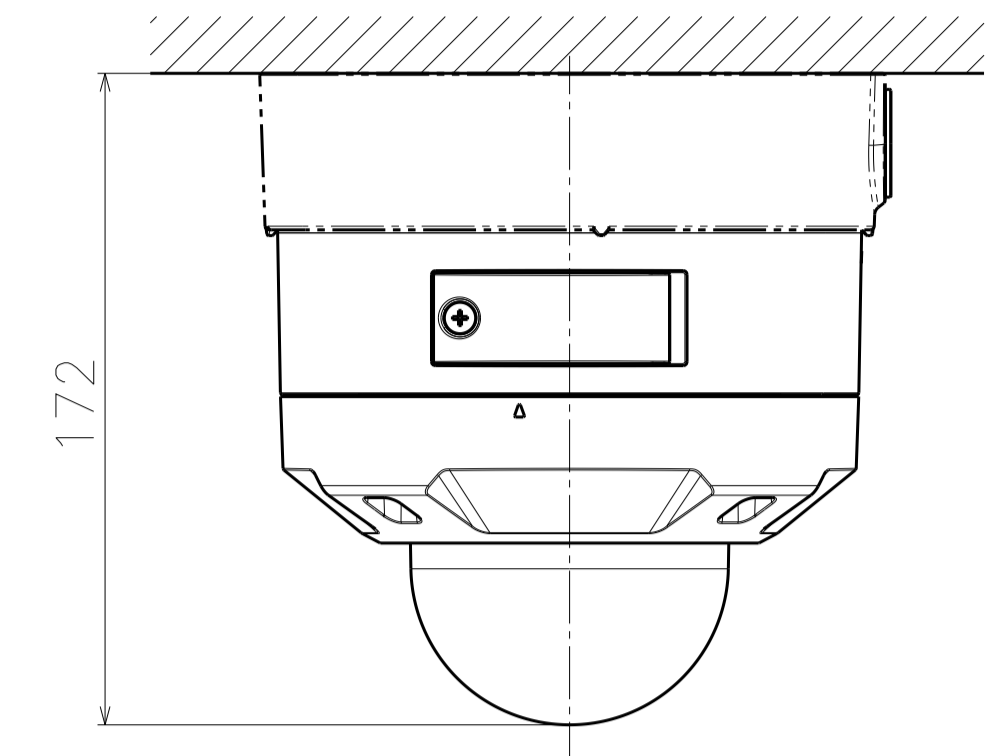
Attach to WV-QWL501\*\* & WV-QSR501\*\*

	投影面積/Projected area
側面図/Side-view	0.053 (m <sup>2</sup> )
平面図/TOP-view	0.034 (m <sup>2</sup> )



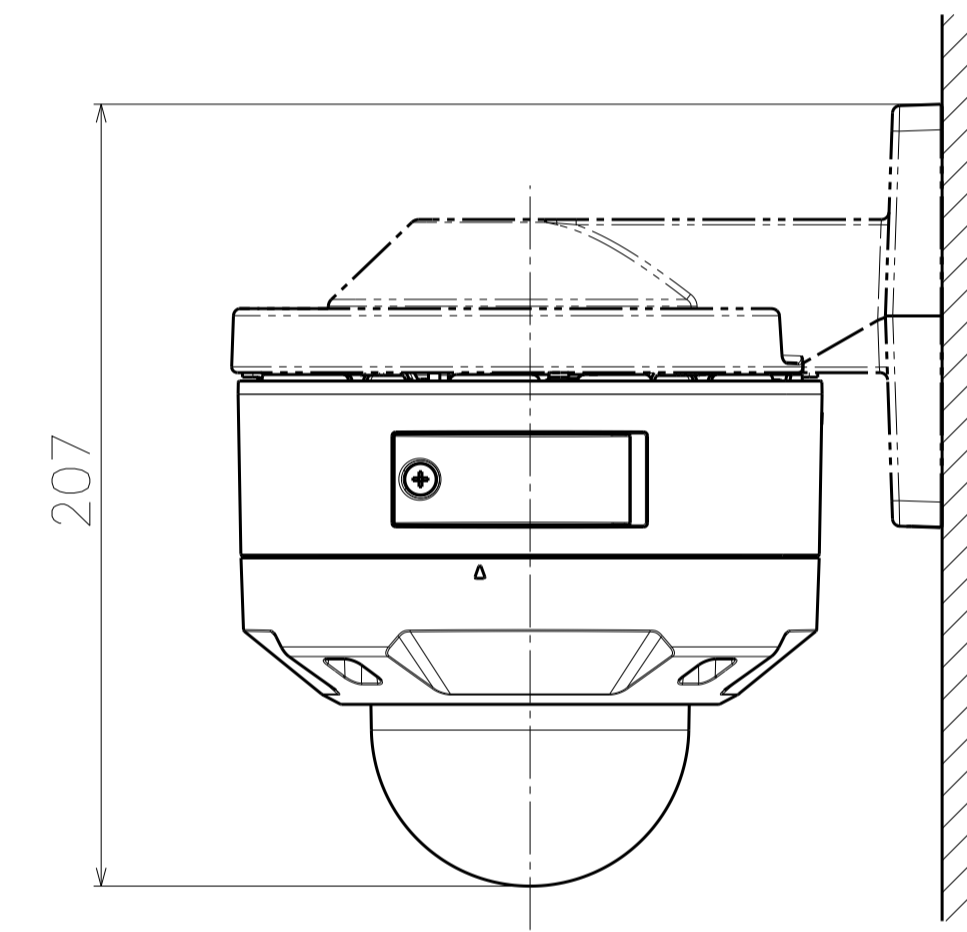
Attach to WV-QJB504\*\*

	投影面積/Projected area
側面図/Side-view	0.020 (m <sup>2</sup> )



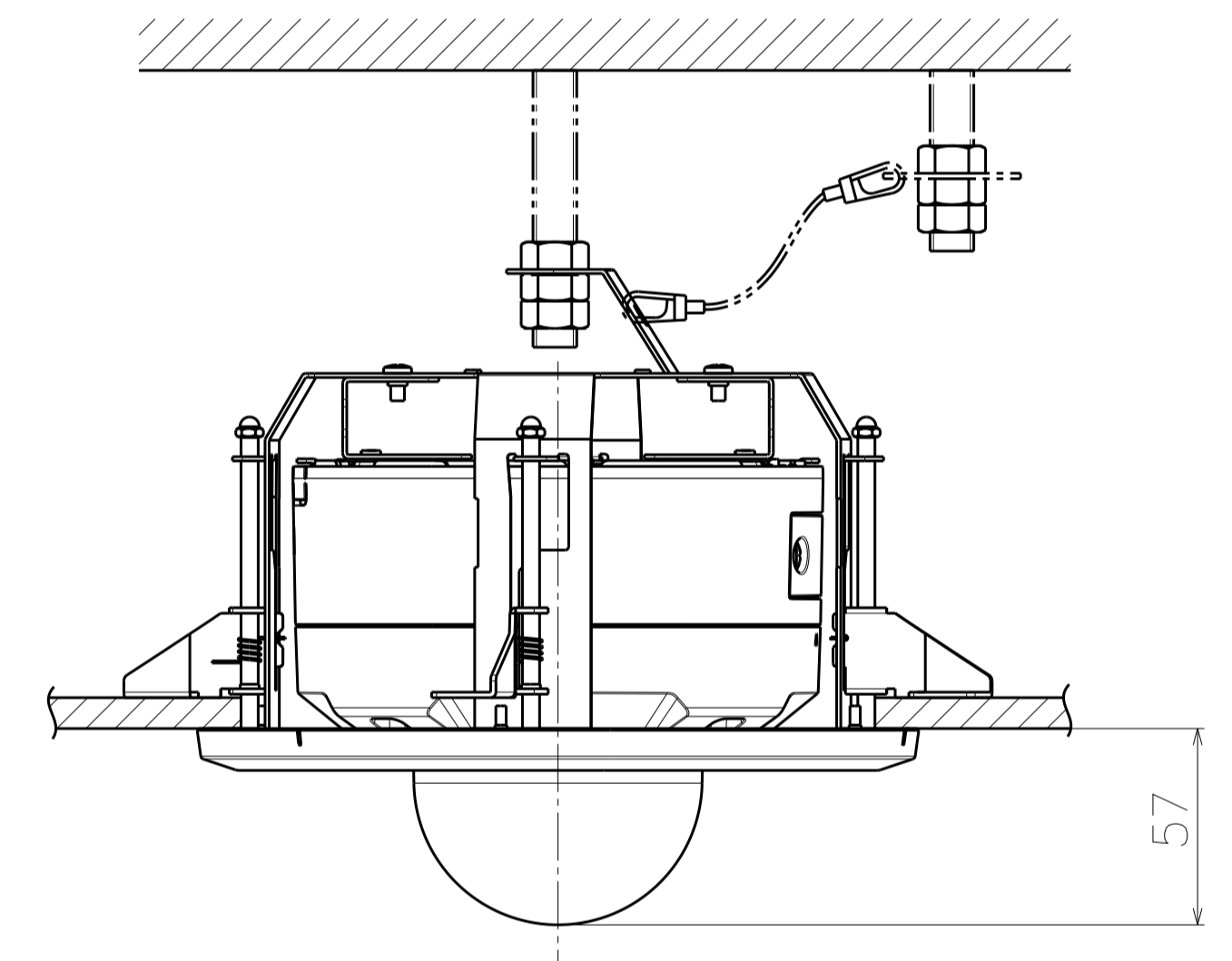
Attach to WV-QJB501\*\*

	投影面積/Projected area
側面図/Side-view	0.022 (m <sup>2</sup> )

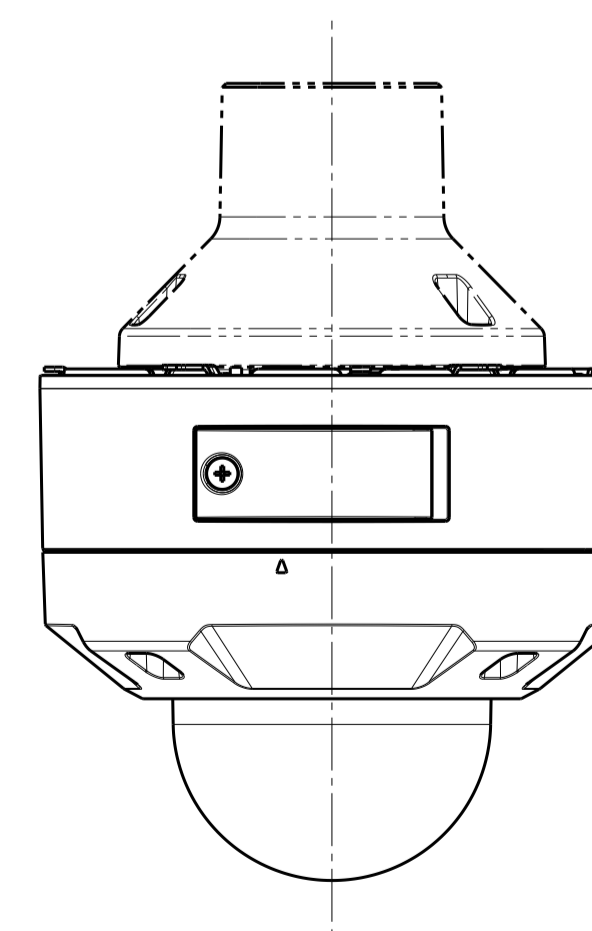


Attach to WV-QWL500\*\*

	投影面積/Projected area
側面図/Side-view	0.024 (m <sup>2</sup> )



Attach to WV-QEM502\*\*



Attach to WV-QCL100\*\*

Model number
WV-U65300-ZY
WV-U65300-ZYG
WV-B65300-ZY
WV-S65300-ZY
WV-S65300-ZYG
WV-S65300-ZYJ