



High density, three WJ-GXE500 units fit into 1U rack.



4CH H.264 Real-time Network Video Encoder

Key Features

- Full frame H.264 transmission for each 4 channels
- Dual streams of H.264 (High profile) and JPEG at VGA / D1 image size
- Motion adaptive interlace/progressive conversion allows every frame to be clear even when the subject is moving.
- Compensates the picture degradation caused by long-distance cable maintaining clear picture
- Coaxial communication ensures the control of i-PRO PTZ cameras via coaxial cable.
- Open command conversion table for RS-485 ensures the control of various manufacture's PTZ camera.
- SD/SDHC Memory card slot for manual recording, alarm recording, and backup upon network failure (JPEG)
- Camera title display: Up to 16 alphanumeric characters embedded in the image
- Full duplex bi-directional audio allows interactive communication.
- PoE. The power will be supplied by simply connecting a LAN cable. (IEEE802.3af compliant)
- Small size. And can be installed into the rack with mounting brackets. (Option)
- Alarm sources including 3 terminal input, VMD, camera site alarm, video loss, and TCP alarm notification
- VMD (Video Motion Detector) with 4 programmable detection areas
- Internet mode: H.264/MPEG-4 images can be transmitted by over HTTP protocol.

- Multi-language GUI and setup menu: English, French, Italian, Spanish, German, Russian (PAL) / English, French (NTSC)

* Installation required except for English

- IPv4/IPv6 protocol supported

Standard Accessories

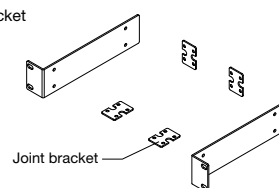
- CD-ROM*1 1 pc.
- Installation Guide 1 pc.
- Code Label*2 1 pc.

*1 The CD-ROM contains the operating instructions (PDFs) and different kinds of tool software programs.

*2 This label may be required for network management. The network administrator shall retain the code label.

Optional Accessory

EIA 48.26 cm (19 inch) Rack Mount Bracket
WV-Q204/2S
(for mounting three WJ-GXE500)

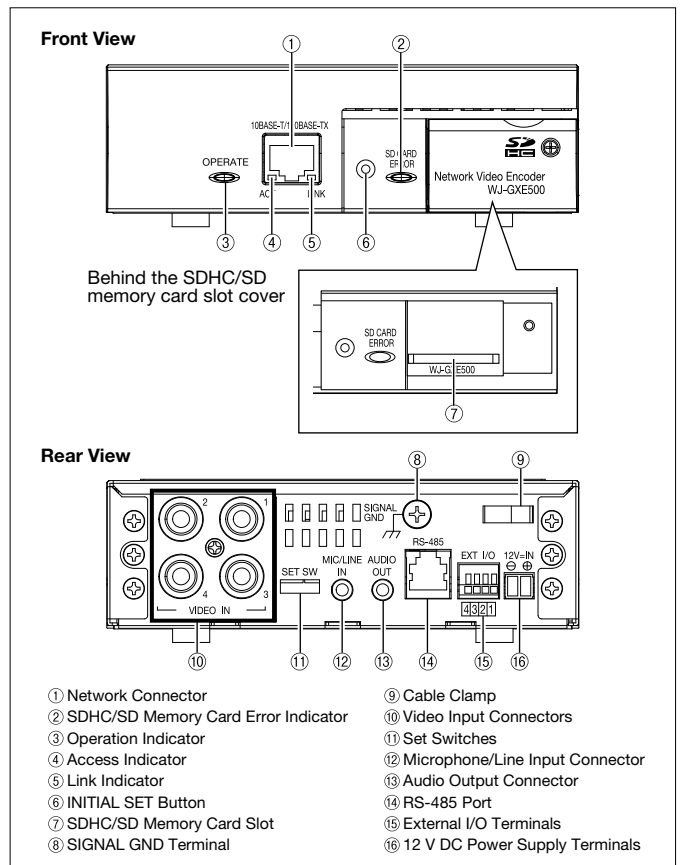


Specifications

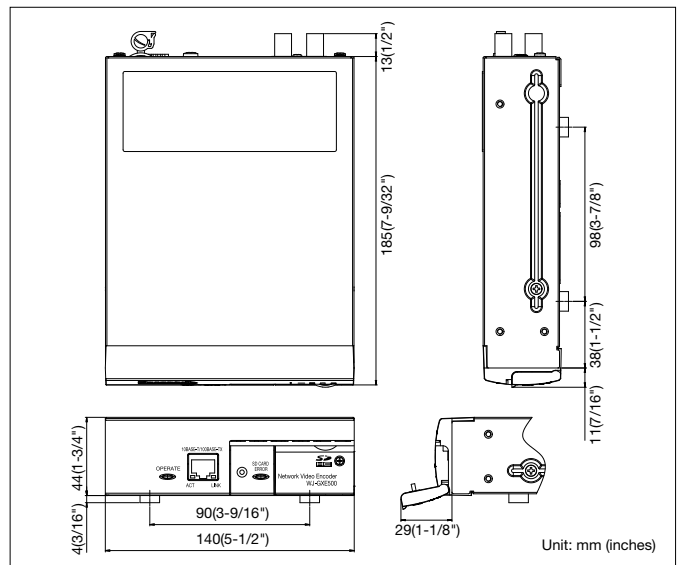
TV System	NTSC	PAL
Audio/Video IF	Video Input 4x 1.0 V [p-p] / 75 Ω NTSC composite video inputs (BNC) Multiplexed control data and cable compensation compatible: 1 - 4 CH	4x 1.0 V [p-p] / 75 Ω PAL composite video inputs (BNC) Multiplexed control data and cable compensation compatible: 1 - 4 CH
Microphone/Line Input	MIC IN and Line IN are selectable. ø3.5 mm stereo mini jack (monaural input) (Applicable microphone: Plug-in power type) Supply voltage: 2.5 V ±0.5 V Input impedance: approx. 2 kΩ	
Audio Output	ø3.5 mm stereo mini jack (monaural output) Line level	
Browser GUI	Camera Control Pan / tilt / zoom / focus / preset positions / auto focus (When using i-PRO PTZ cameras)	
Display Mode	Spot, Quad: Image from 16 cameras can be displayed in 4 different Quad screens (JPEG only), 20 characters camera title available.	
Unit Title	Up to 20 characters	
Camera Title (OSD)	Up to 16 characters On/Off	
Clock Display	Time: 12H/24H, Date: 5 formats on the browser, Summer time (Manual)	
Alarm Control	Reset	
One Shot Capture	A still picture will be displayed on a newly opened window.	
Audio	Mic (Line) Input: ON / OFF Volume adjustment: Low / Middle / High, Audio Output: ON / OFF Volume adjustment: Low/Middle/High	
SD Memory Data Download	Still or motion images recorded in the SD/SDHC memory card can be downloaded.	
GUI/Setup Menu Language	English, French (Installation required for French)	Spanish, German, Russian (Installation required except for English)
System Log	Up to 100 (Internal), Up to 4,000 (SD memory when the recording format is set to JPEG.) error logs	
Supported OS	Microsoft® Windows® 8, Microsoft® Windows® 7, Microsoft® Windows Vista®, Microsoft® Windows® XP SP3	
Supported Browser	Windows® Internet Explorer® 10.0(32 bit), Windows® Internet Explorer® 9.0(32 bit), Windows® Internet Explorer® 8.0(32 bit), Windows® Internet Explorer® 7.0(32 bit), Microsoft® Internet Explorer® 6.0 SP3	
Network	Network IF 10Base-T / 100Base-TX, RJ-45 connector	
Image Resolution	VGA mode: VGA (640 x 480) / QVGA (320 x 240) D1 mode: D1 (720 x 480)	VGA mode: VGA (640 x 480) / QVGA (320 x 240) D1 mode: D1 (720 x 576)
H.264/MPEG-4*	Transmission Mode Constant bitrate / Framerate priority	
Frame Rate	1 / 3 / 5 / 7.5 / 10 / 15 / 20 / 30 fps 1 / 3.1 / 4.2 / 6.25 / 8.3 / 12.5 / 20 / 25 fps	
Bit Rate/Client	64 / 128 / 256 / 384 / 512 / 768 / 1,024 / 1,536 / 2,048 / 3,072 / 4,096 kbps / Unlimited	
Image Quality	Low / Normal / Fine	
Refresh Interval	0.2 / 0.33 / 0.5 / 1 / 2 / 3 / 4 / 5 s	
Transmission Type	UNICAST / MULTICAST	
JPEG	Image Quality 10 steps	
Refresh Interval	0.1 fps ~ 30 fps (JPEG frame rate will be restricted when displaying both JPEG and H.264/MPEG-4 images.)	0.08 fps ~ 25 fps (JPEG frame rate will be restricted when displaying both JPEG and H.264/MPEG-4 images.)
Transmission Type	PULL / PUSH	
Audio Compression	G.726 (ADPCM), 32 kbps / 16 kbps, CH1 only.	
Audio Mode	OFF / Mic (Line) input / Audio output / Interactive (Half duplex) / Interactive (Full duplex)	
Authentication for Audio	Level 1 only / Level 2 higher / All users	
Total Bit Rate	64 / 128 / 256 / 384 / 512 / 768 / 1,024 / 2,048 / 4,096 / 8,192 kbps / Unlimited	
Supported Protocol	IPv6: TCP/IP, UDP/IP, HTTP, RTP, FTP, SMTP, DNS, NTP, SNMP IPv4: TCP/IP, UDP/IP, HTTP, RTSP, RTP, RTSP/RTCP, FTP, SMTP, DHCP, DNS, DDNS, NTP, SNMP	
FTP Client	Periodic image transfer, Alarm image transfer (When the FTP transmission is failed, backup on an optional SDHC/SD memory card is available.)	
No. of Simultaneous Users	Up to 14 users (Depends on network conditions)	
SDHC/SD Memory Card (Option)	Alarm REC / Backup upon network failure / Manual REC (JPEG only) Compatible SD (SDHC) card: Panasonic 256 MB, 512 MB, 1 GB, 2 GB, 4 GB*, 8 GB*, 16 GB*, 32 GB* model * SDHC card	
Alarm	Alarm Source 3 terminal input, VMD, Command alarm, Camera site alarm, Video loss alarm	
Alarm Action	SDHC/SD memory recording, E-mail notification, Alarm terminal output, Indication on browser, FTP image transfer, TCP alarm notification output	
Alarm Log	With SDHC/SD memory card: 5,000 logs, without SDHC/SD memory card: 1,000 logs	
Input/Output	Terminal Terminal 1: Alarm input, Terminal 2: Alarm input/Alarm output, Terminal 3: Alarm input/Alarm output/AUX output	
RS-485 Port	1x RS-485 (RJ-11, 4 wire / 2 wire, Full/Half duplex). Open command conversion table for other manufacturers' PTZ camera)	
General	Safety/EMC Standard UL (UL60065), FCC (Part15 ClassA), CE (EN55022, ClassB, C-UL (CAN/CSA C22.2 No.60065), EN55024) DOC (ICES003 ClassA)	
Power Source and Power Consumption	12 V DC: 500 mA, PoE (IEEE802.3af): 6 W (Class 0 device)	
Ambient Operating Temperature	-10 °C ~ +50 °C (14 °F ~ 122 °F)	
Ambient Operating Humidity	90 % or less (without condensation)	
Dimensions	140 mm (W) x 44 mm (H) x 185 mm (D) (5-1/2" x 1-3/4" x 7-9/32") (excluding rubber feet and projections)	
Mass (approx.)	1.0 kg (2.21 lbs.)	

* H.264 and MPEG-4 are alternative.

Part Names and Functions



Appearance



Trademarks and registered trademarks

– Microsoft, and Windows are registered trademarks of Microsoft Corporation in the U.S. and other countries.

Important

- Safety Precautions : Carefully read the Basic Information, Installation Guide and Operating Instructions before using this product.
- i-PRO Co., Ltd. cannot be held responsible for the performance of the network and/or other manufacturers' products used on the network.

- All TV pictures are simulated.
- Masses and dimensions are approximate.
- Specifications are subject to change without notice.

i-PRO
The Power of Truth

i-PRO Co., Ltd.

<https://i-pro.com/>

(2A-056EA)