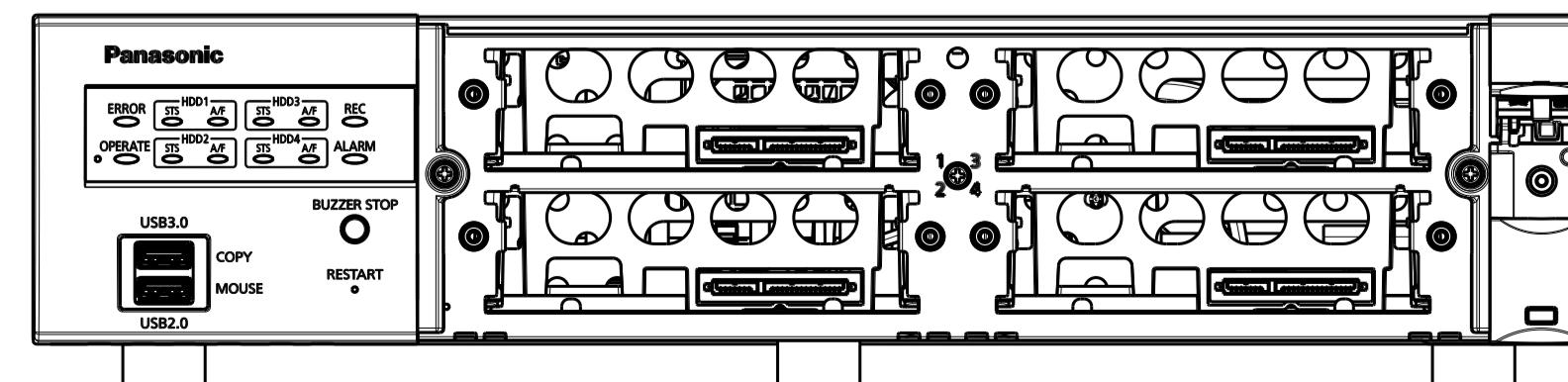
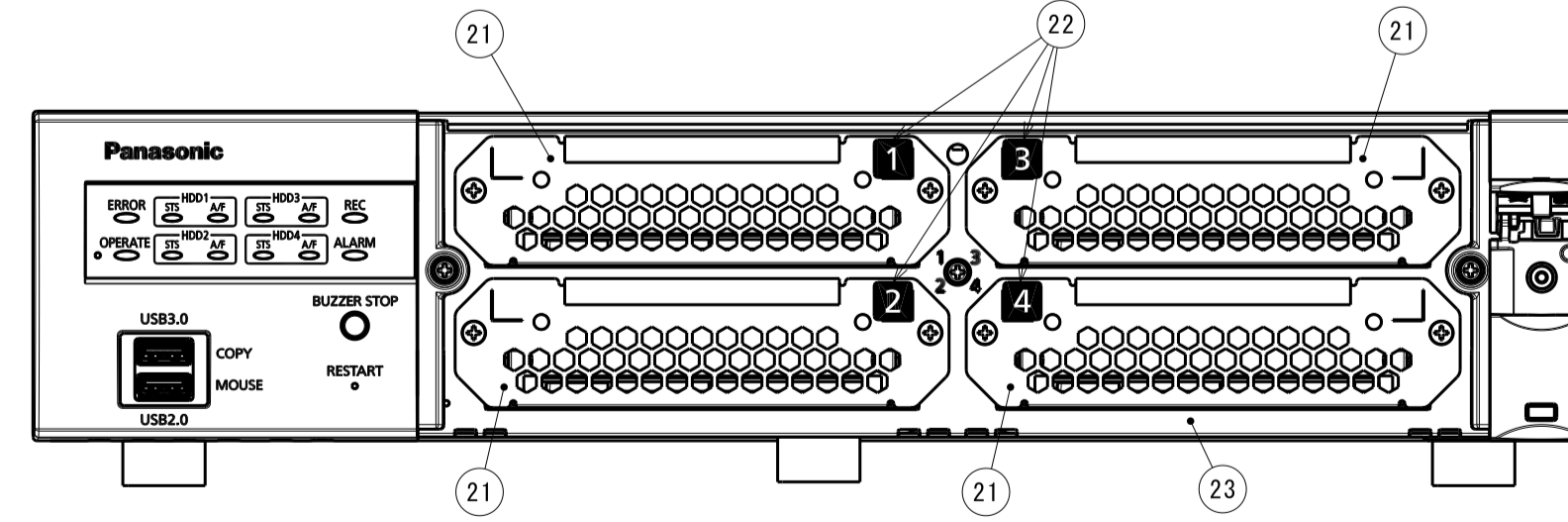
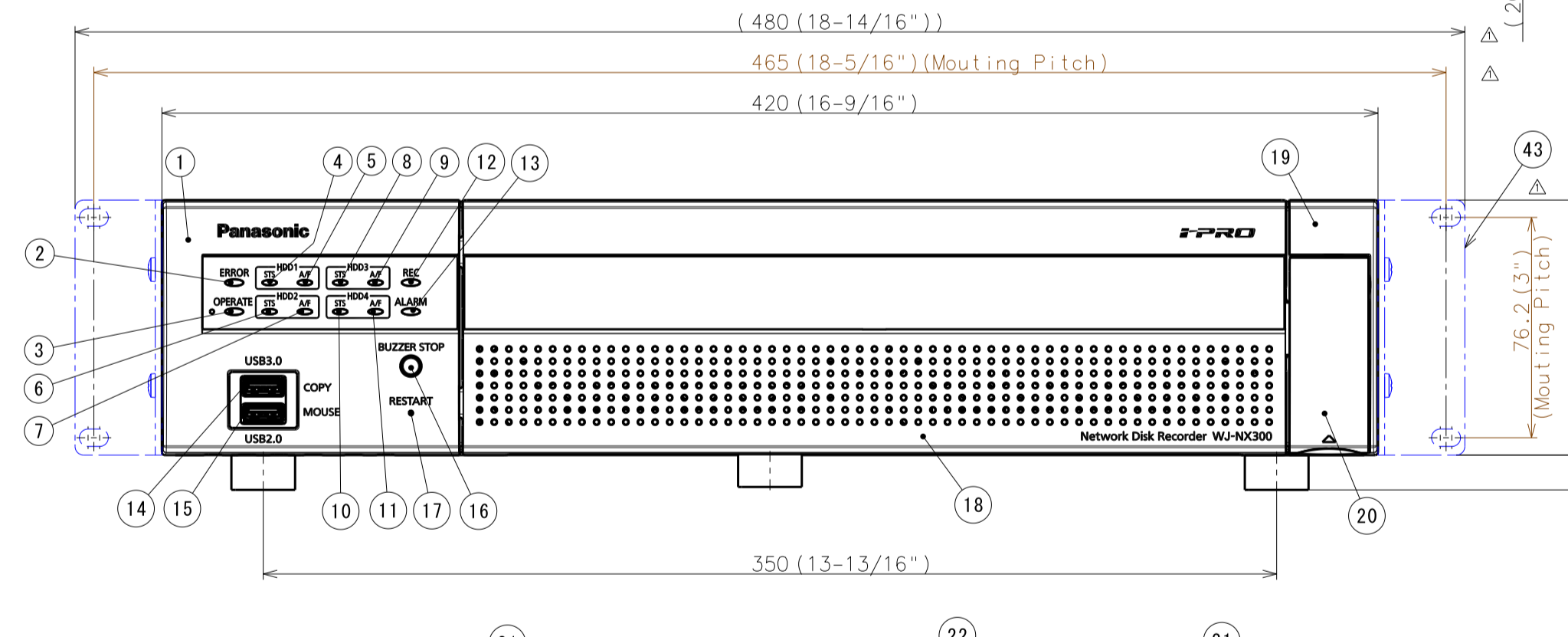


49	Caution label	Art paper	Printing	
48	HDD status display expansion label	Art paper	Printing	
47	Protection label	PET		
46	Code label	Art paper	Printing	
45	Product handling precautions label - Alarm/Control connector explanation label	Art paper	Printing	
44	Name plate	Aluminum vapor deposition film	Printing	
43	Rack angle	Steel t=2.3	Painting	Solidmetallic
42	Serial No. label	Aluminum vapor deposition film	Printing	
41	Alarm/Control connector A			
40	Alarm/Control connector B			
39	Mouse connection port (USB2.0)			
38	Copy port (USB3.0)			
37	Network port (PC port)		10/100/1000 BASE-T	
36	Network port (Camera/PC port)		10/100/1000 BASE-T	
35	Audio output connector (RCA pin jack)			
34	Video output connector (BNC)			
33	Main monitor output connector (HDMI)			
32	Sub monitor output connector (HDMI)			
31	External storage connector			
30	Fan bracket	SECC t=0.8		
29	Clamp mount			
28	SIGNAL GND terminal			
27	Power cord inlet			
26	Rear panel	SECC t=1.0	Printing	
25	Rubber foot	Poron		Black
24	Top cover	SECC t=0.8	Painting	Solidmetallic
23	Main chassis	SECC t=1.0		
22	HDD No. label	Art paper	Printing	
21	HDD bracket	SECC t=0.8		
20	Blind cover	ABS	Painting	
19	Front panel R	ABS	Painting	
18	Front cover	ABS	Painting/Printing	Solidmetallic
17	Restart switch			
16	Buzzer stop button	ABS	Painting	Solidmetallic
15	Mouse connection port (USB2.0)			
14	Copy port (USB3.0)			
13	Alarm indicator			
12	Recording indicator			
11	HDD4 access indicator			
10	HDD4 status indicator			
9	HDD3 access indicator			
8	HDD3 status indicator			
7	HDD2 access indicator			
6	HDD2 status indicator			
5	HDD1 access indicator			
4	HDD1 status indicator			
3	Operation indicator			
2	Error indicator			
1	Front panel L	ABS	Painting/Printing	Solidmetallic
記号	図名又は部品名	材質・寸法	処理・加工	記事



製品品番	HDD	質量
WJ-NX300/G	非搭載	7.0 kg