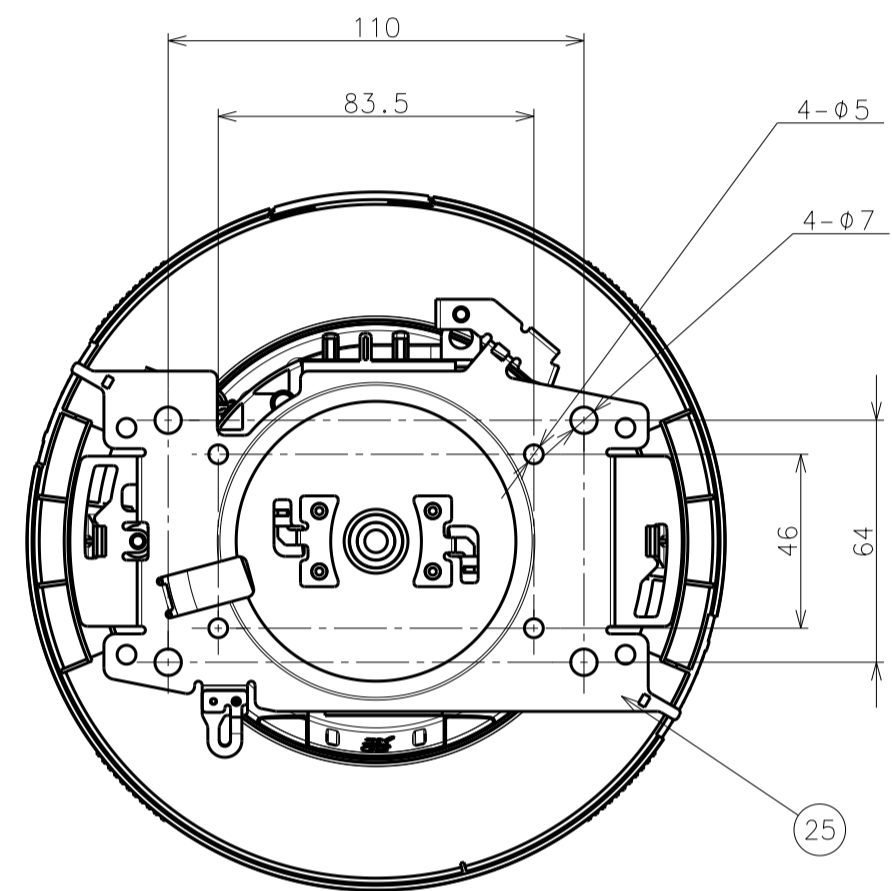


26



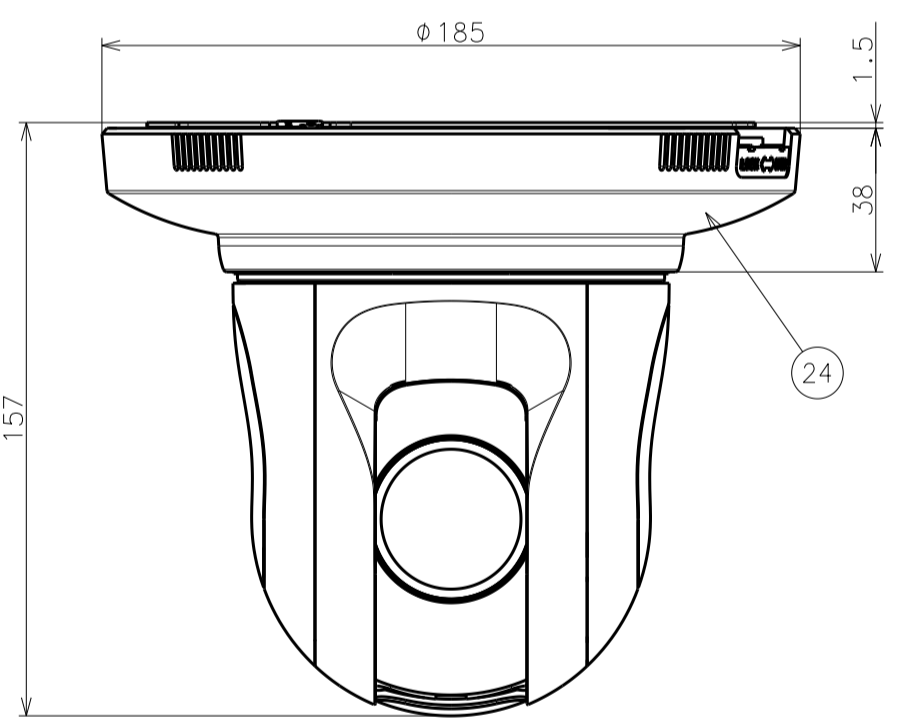
4-φ5

4-φ7

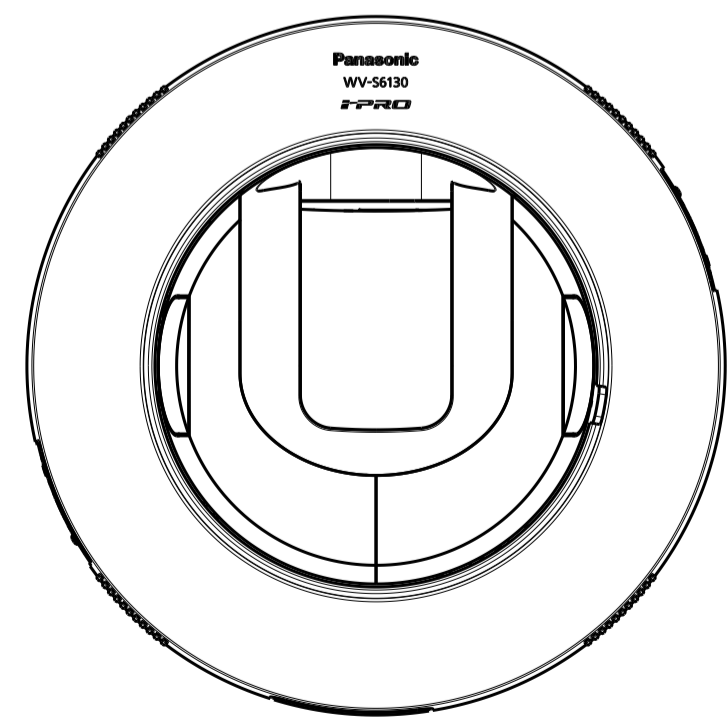
46

64

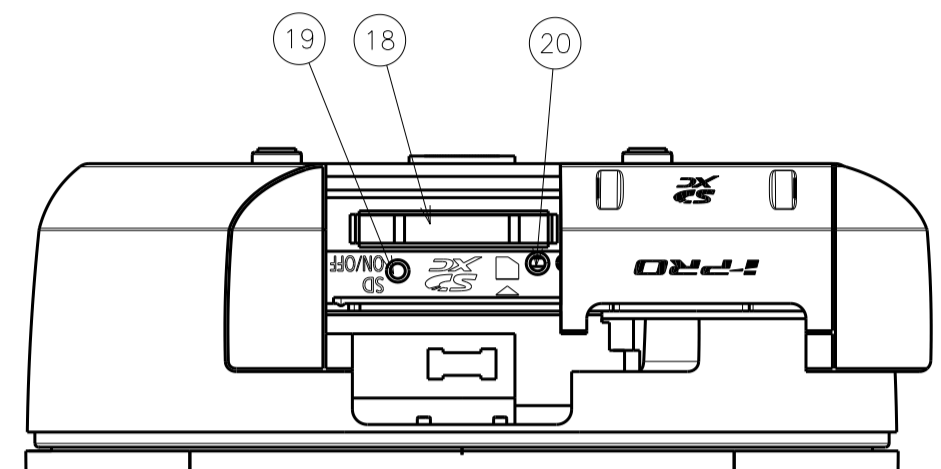
25



24



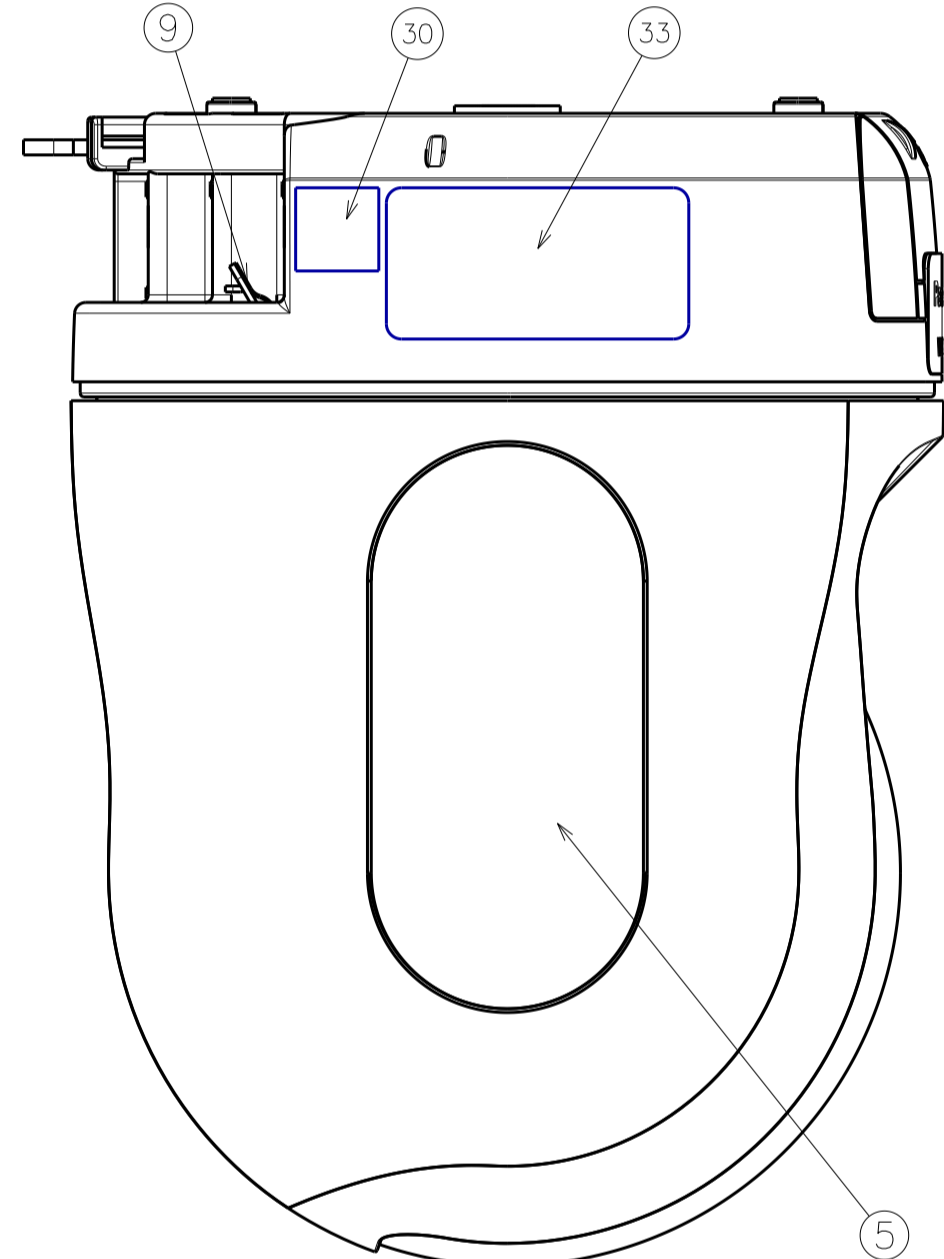
with Decoration Cover
(S=1:2)



19

18

20

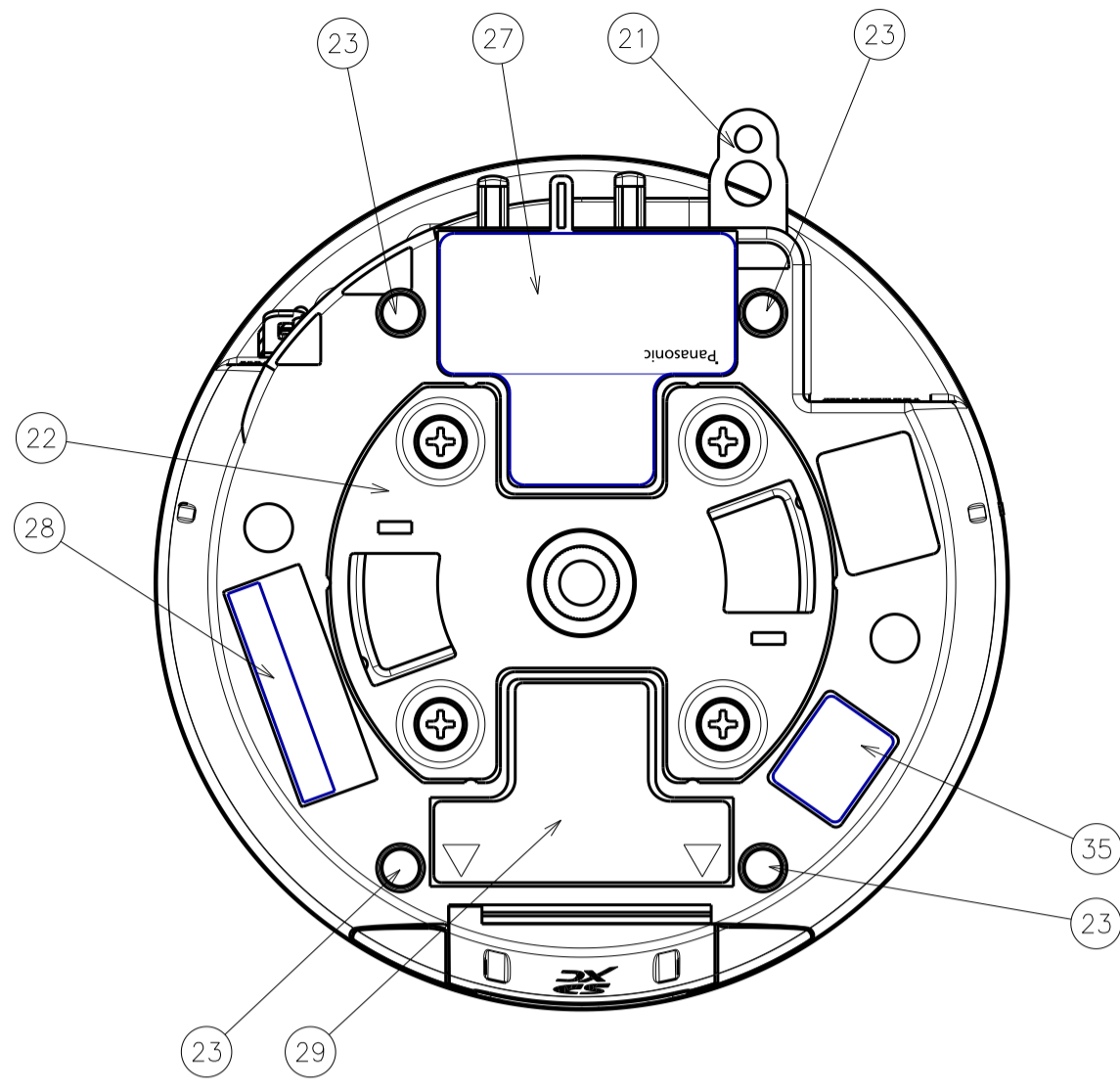


9

30

33

5



23

27

21

23

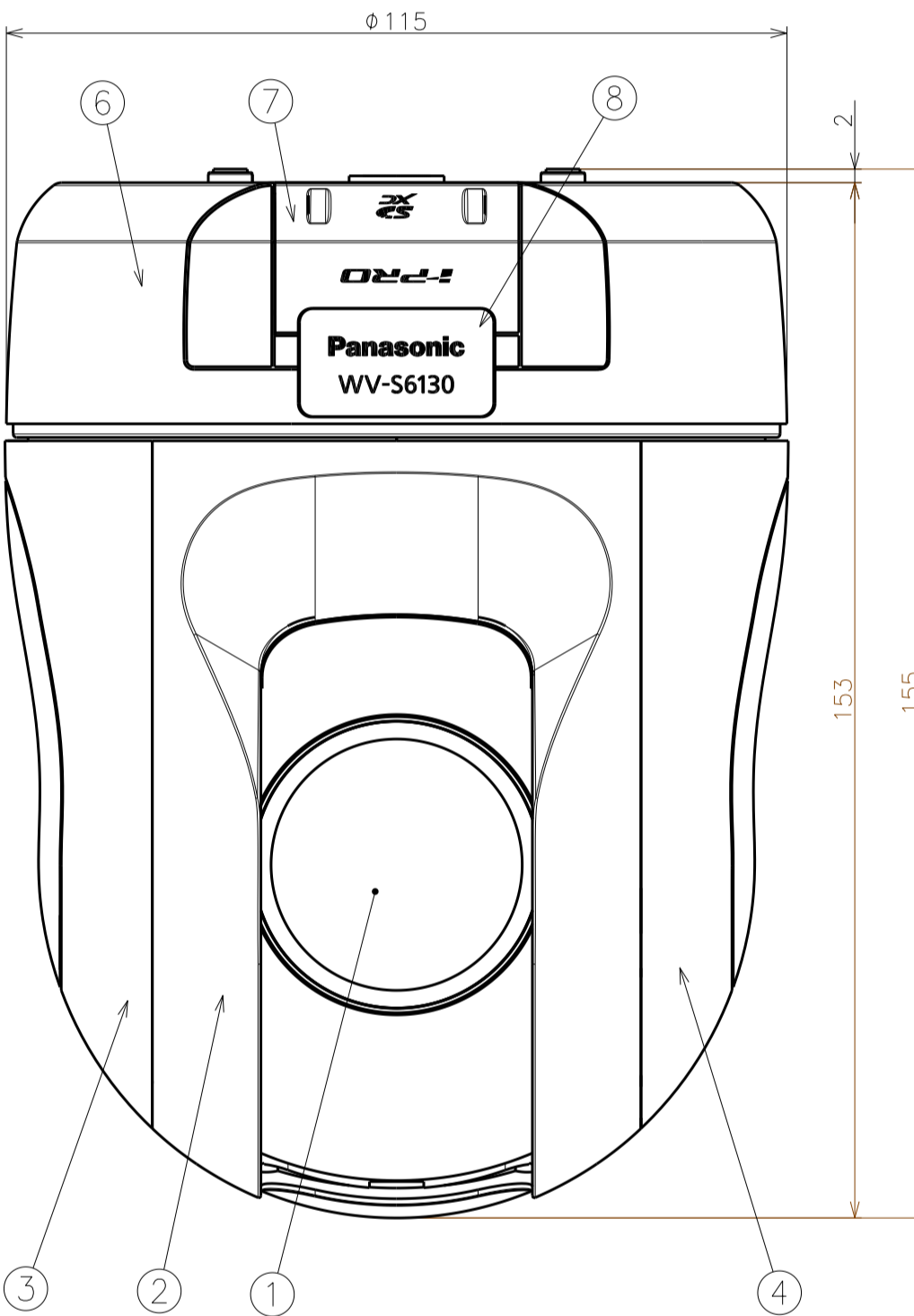
22

23

29

35

23



6

7

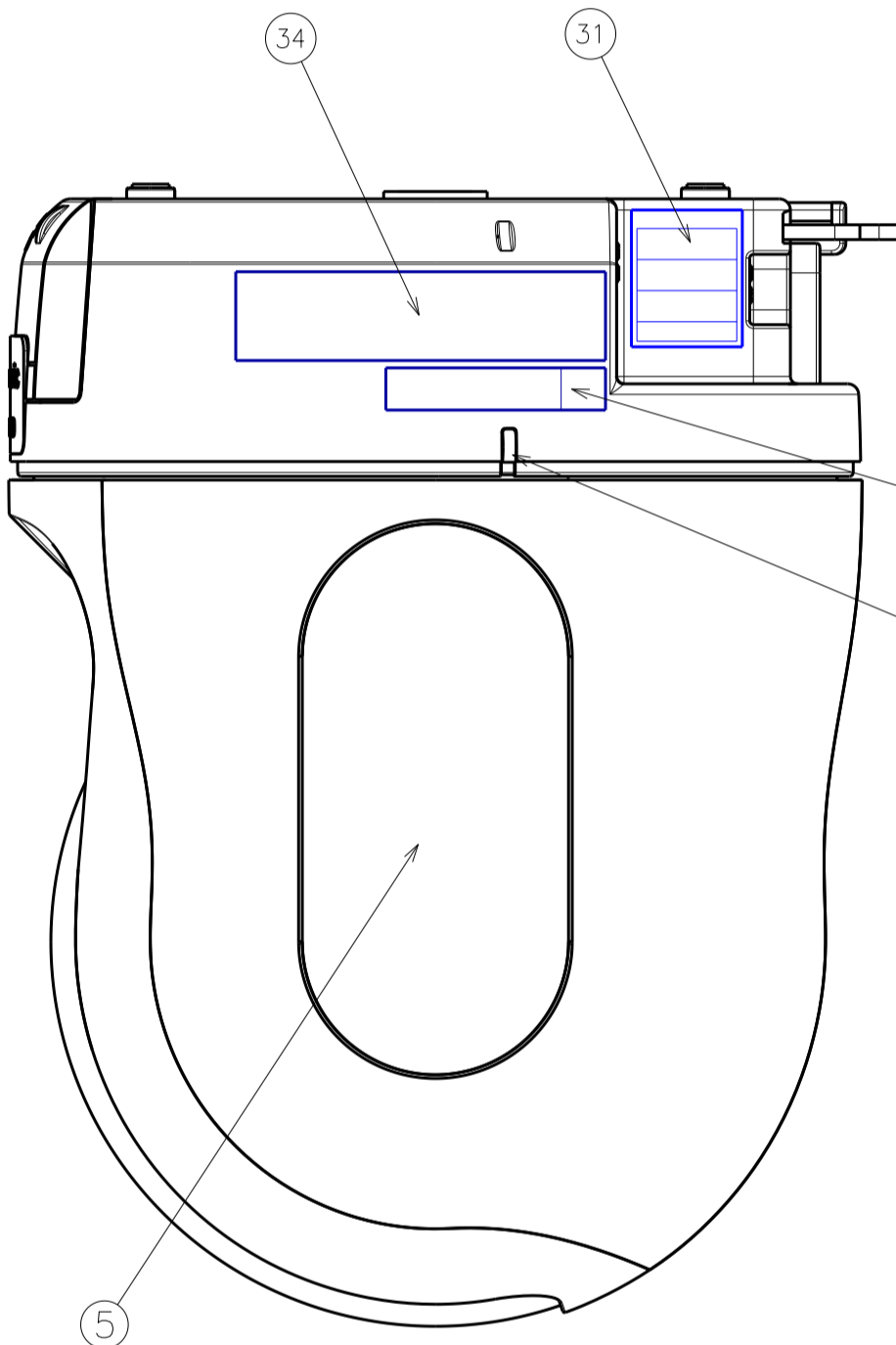
8

3

2

1

4



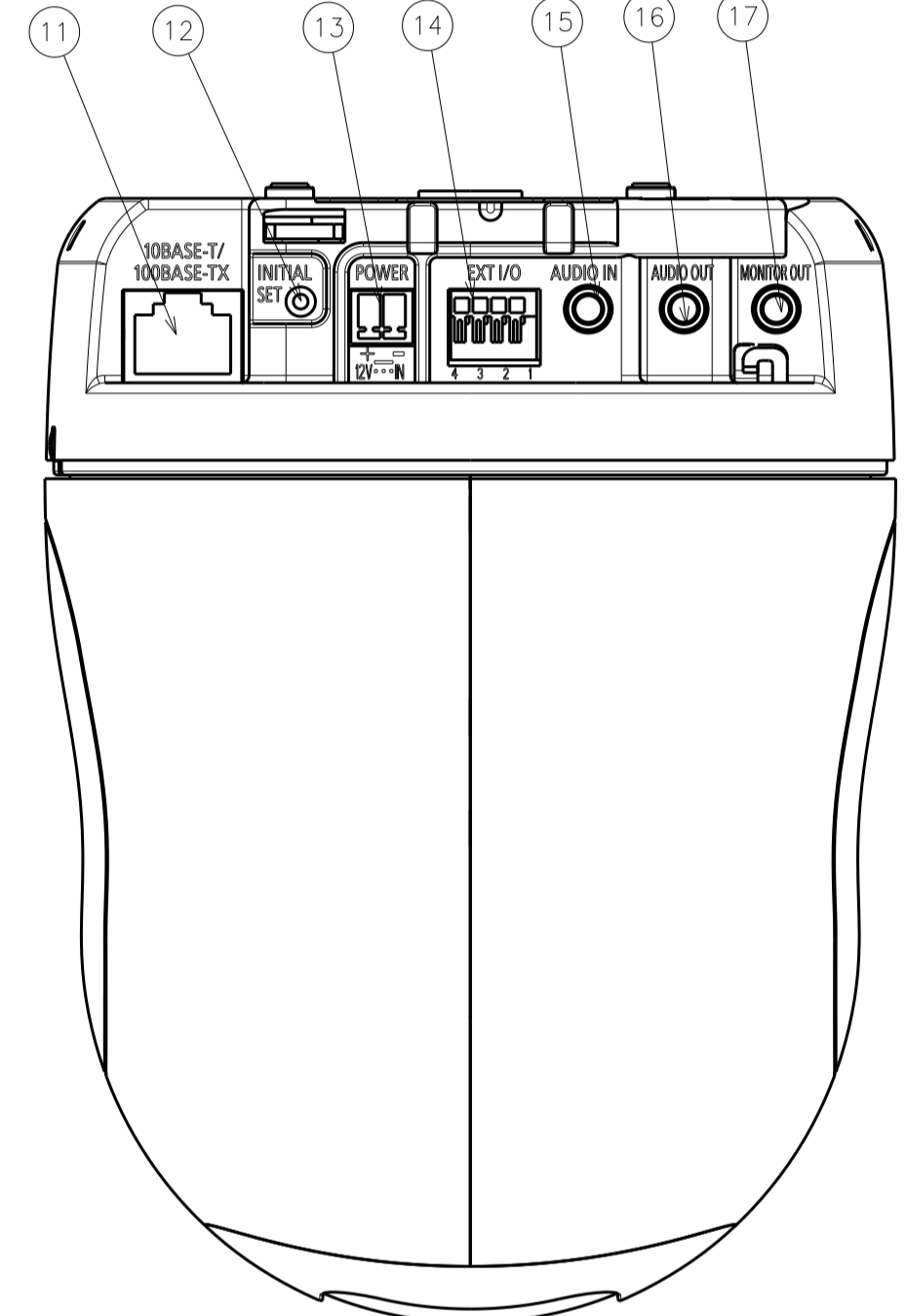
5

34

31

32

10



11

12

13

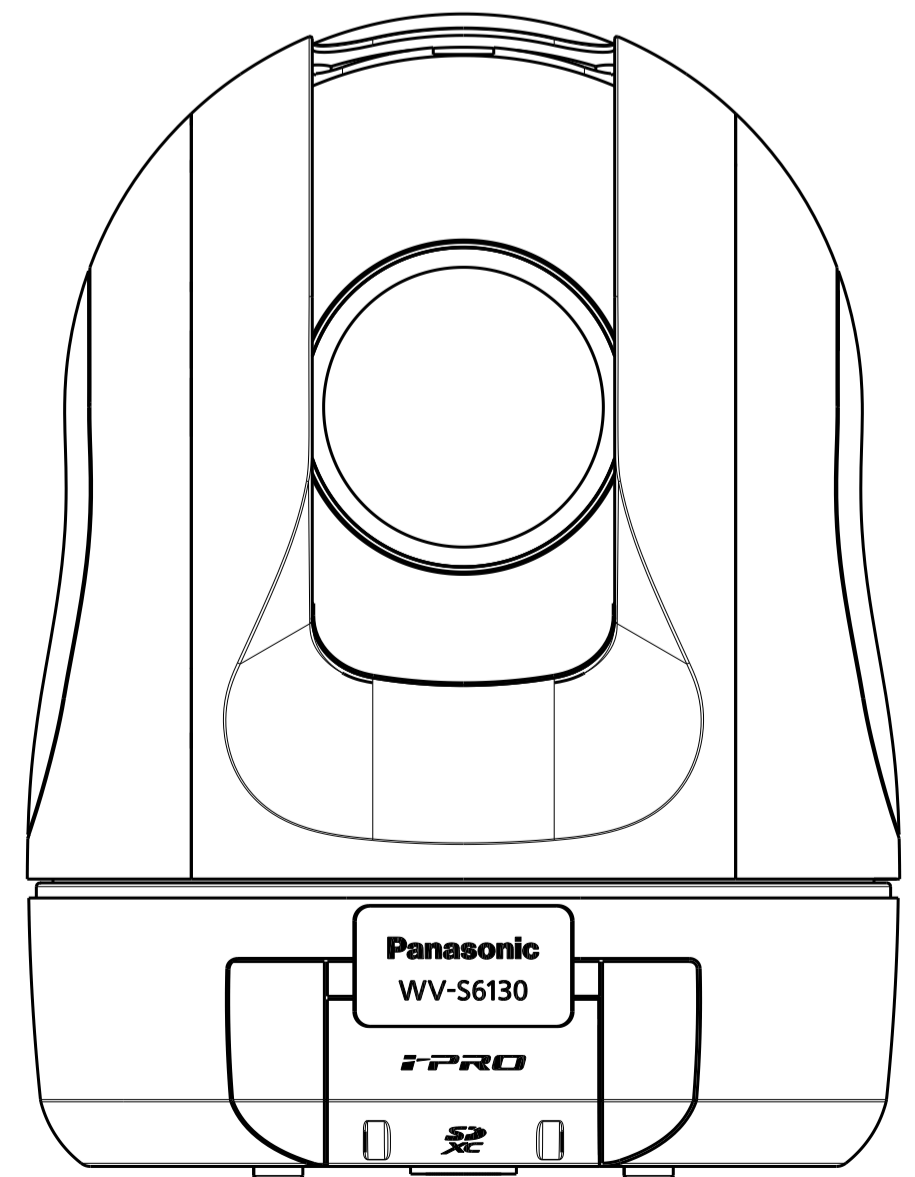
14

15

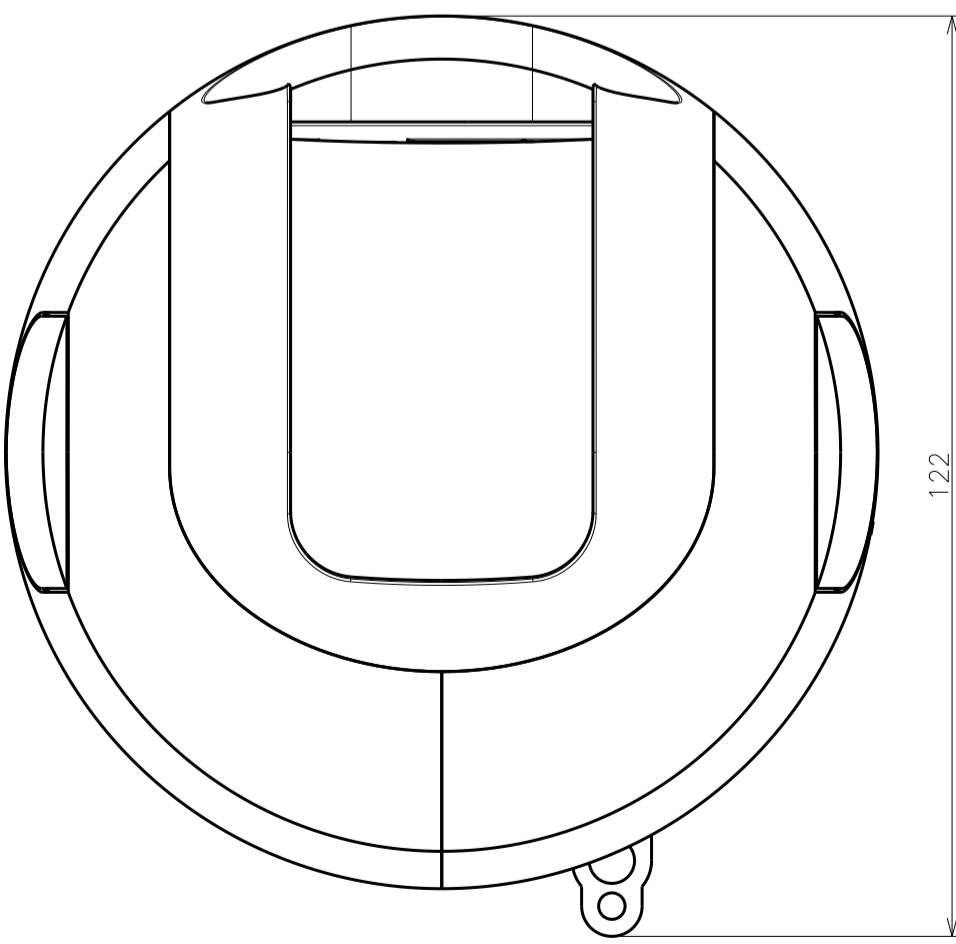
16

17

No.	Part Name	Material	Process-Remark
1	Network Camera Unit	-	-
2	Dome Lens Cover	PC+ABS	Coating(Silver)
3	Case L	PC+ABS	Coating(Silver)
4	Case R	PC+ABS	Coating(Silver)
5	Side Panel	PC+ABS	Coating(Silver)
6	Camera Case Bottom	PC+ABS	Coating(Silver)-Printing
7	SD Slot Cover	PC+ABS	Coating(Silver)-Printing
8	Panasonic Plate	PC+ABS	Coating(Silver)-Printing
9	Safety-Wire Hook	Carbon Steel/Stainless Steel	-
10	Status Indicator	-	-
11	Network Connector	-	-
12	Initial Set Button	-	-
13	12V DC Power Supply Terminal	-	-
14	EXT I/O Terminal	-	-
15	AUDIO Input Connector	-	-
16	AUDIO Output Connector	-	-
17	MONITOR Output Terminal	-	-
18	SD Memory Card Slot	-	-
19	SD ON/OFF Button	-	-
20	SD MOUNT Indicator	-	-
21	Lock Plate	Aluminium Alloy	-
22	Camera Mount Plate	Carbon Steel	-
23	Foot Rubber	Polyurethane foam	-
24	Decoration Cover	PC+ABS	Coating(Silver)-Printing
25	Base Mount Plate	Carbon Steel/Stainless Steel	-
26	Camera Fixing Screw	Carbon Steel M3	-
27	Name Plate	Polyester Film	Printing
28	Code Label	Polyester Film	Printing
29	CAUTION Label	Polyester Film	Printing
30	Date Matrix Label	Polyester Film	Printing
31	ADJ Label	Polyester Film	Printing
32	Serial Number Label	Polyester Film	Printing
33	FCC/DOC Label	Polyester Film	Printing
34	CE Label	Polyester Film	Printing
35	CAUTION Label	Polyester Film	Printing



Upside down the Panasonic plate on the desk.



122