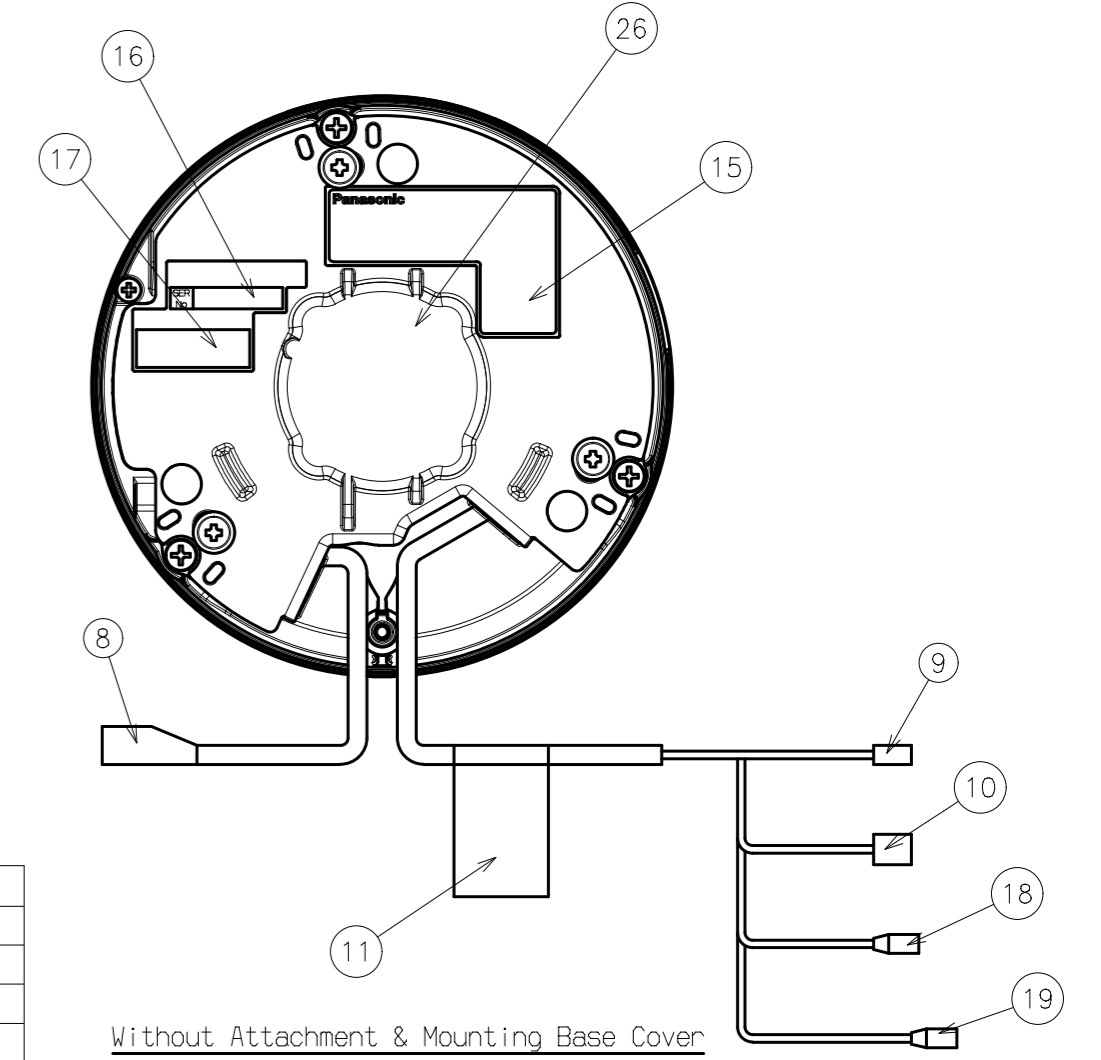
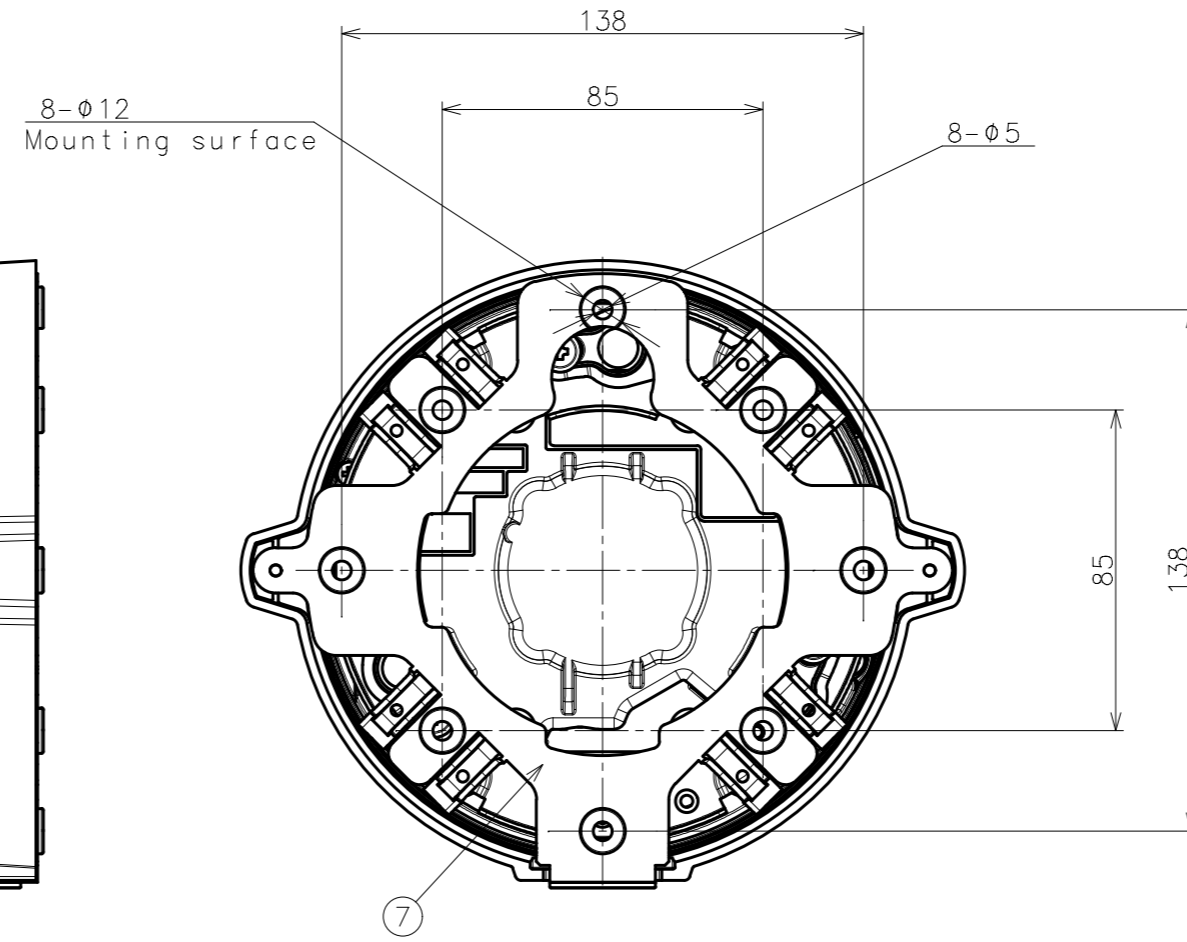
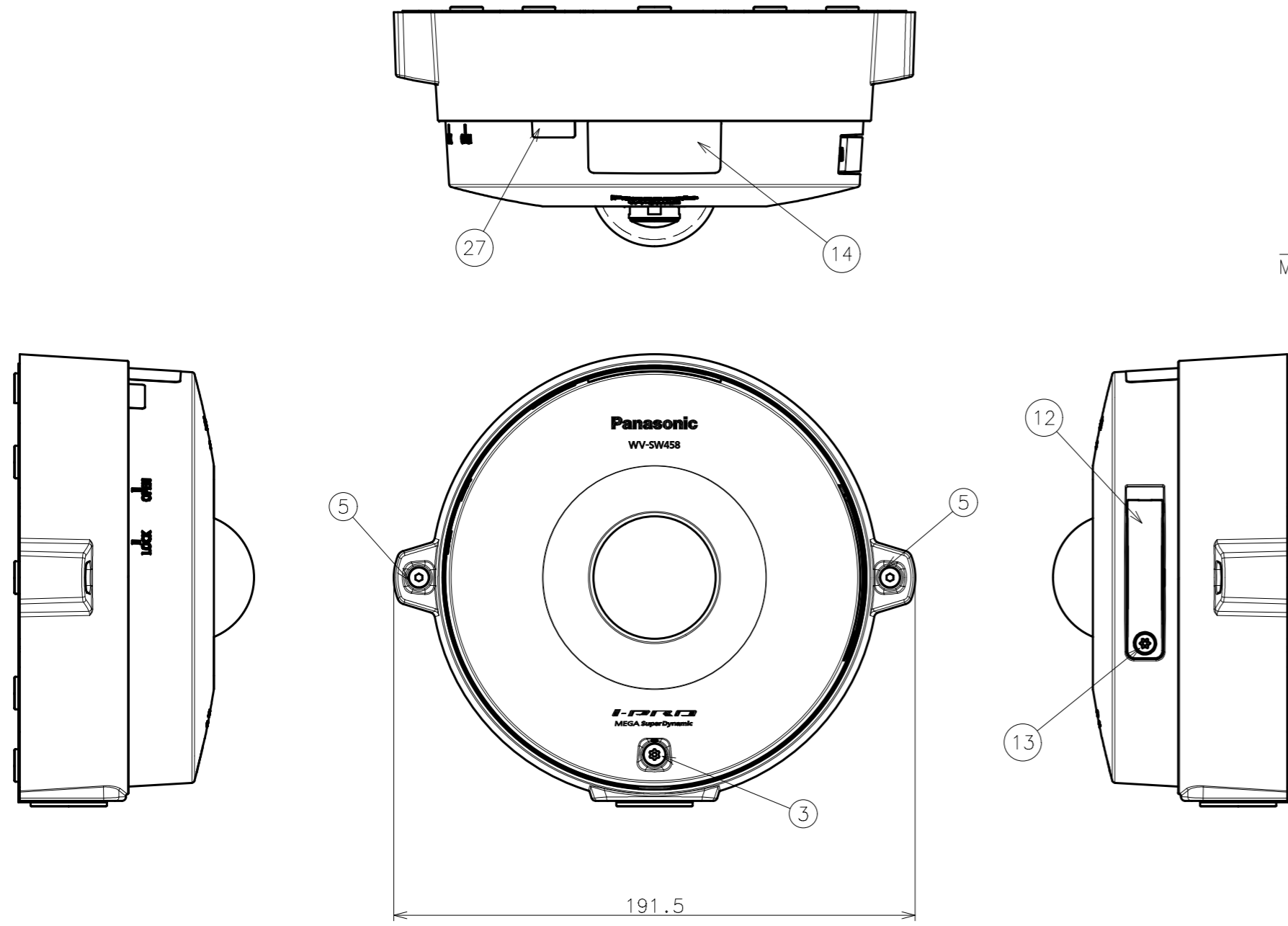
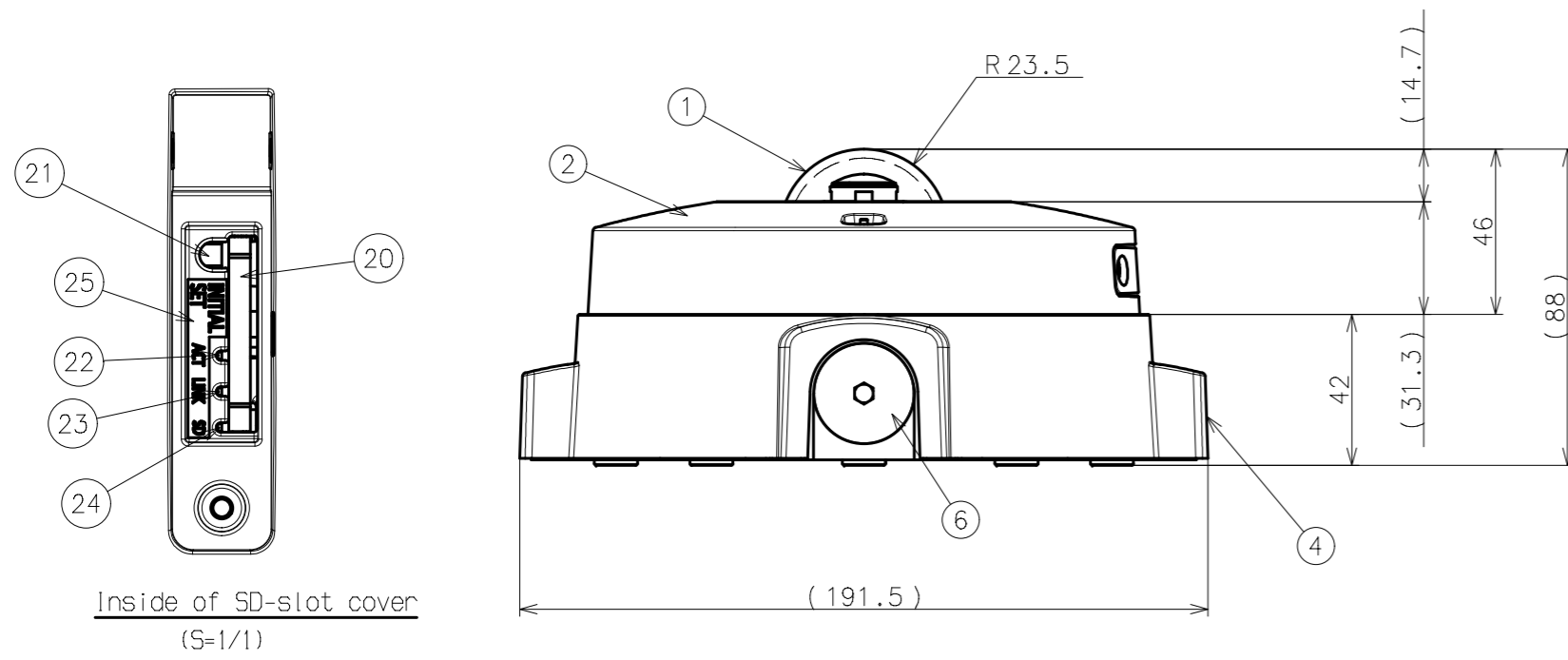


・パナソニックグループ化学物質管理ランク指針最新版(製品版)を遵守すること。
 URL: <http://panasonic.co.jp/procurement/green/>
 ・Observe the Panasonic Group Chemical Substances Management Rank Guidelines latest version (For Products).
 URL: <http://panasonic.net/procurement/green/>

SYM.	DATE	REVISION	SIGNED	CHECKED
△				
△				
△				



Without Attachment & Mounting Base Cover



No.	Part Name	QTY	MATERIAL & SIZE	TREATMENT	REMARK
27	Type 4X_Label	1	Polyester Film	-	-
26	Lower Case	1	Aluminium Alloy Diecasting	Painted(Black)	-
25	SD-slot Label	1	Polyester Film	-	-
24	SD memory card error indicator LED	1	-	-	-
23	Link indicator LED	1	-	-	-
22	Access indicator LED	1	-	-	-
21	INITIAL SET button	1	-	-	-
20	SD memory card slot	1	-	-	-
19	MIC Cable	1	-	-	-
18	Audio Output Cable	1	-	-	-
17	Code Label	1	-	Printing	-
16	SERIAL NUMBER Label	1	Polyester Film	Printing	-
15	Name Label	1	Polyester Film	Printing	-
14	FCC/DOC Label	1	Polyester Film	Printing	-
13	SD CARD Cover Lock Screw	1	Stainless Steel	-	-
12	SD CARD Cover	1	Aluminium Alloy Diecasting	Painted (Light Gray)	-
11	Wiring Attention Label	1	Polyester Film	Printing	-
10	Alarm I/O Cable	1	-	-	-
9	Power Cable	1	-	-	-
8	Network Cable (RJ45)	1	-	-	-
7	Mounting Base Angle	1	Aluminium Alloy Diecasting	-	-
6	Pipe Hole Cap	1	Resin	-	-
5	Mounting Base Cover Lock Screw	2	Stainless Steel	-	-
4	Mounting Base Cover	1	Aluminium Alloy Diecasting	-	-
3	Camera Lock Screw	1	Stainless Steel	-	-
2	Upper Case	1	Aluminium Alloy Diecasting	Painted (Light Gray) & Printing	-
1	Dome Cover	1	PC	-	-

REMARK		Weight	MODEL
Camera:Approx.670g			WV-SW458P
Attachment:Approx.90g			APPEARANCE
Mounting Base Cover:Approx.330g			M-Mb1 of M-Mb1
SCALE	DESIGNED	DRAWN	CHECKED
1:2	T.Uchida	H.Shiraishi	I.Komimura
	12.08.07	12.08.08	12.08.08
MATERIAL & SIZE		PROCESS	
DRAWING/Part NO.		APPROVED	
REF.NO.		/	

記号 図番又は部品品番 図名又は部品名 数量 材質・寸法 処理・加工 記事